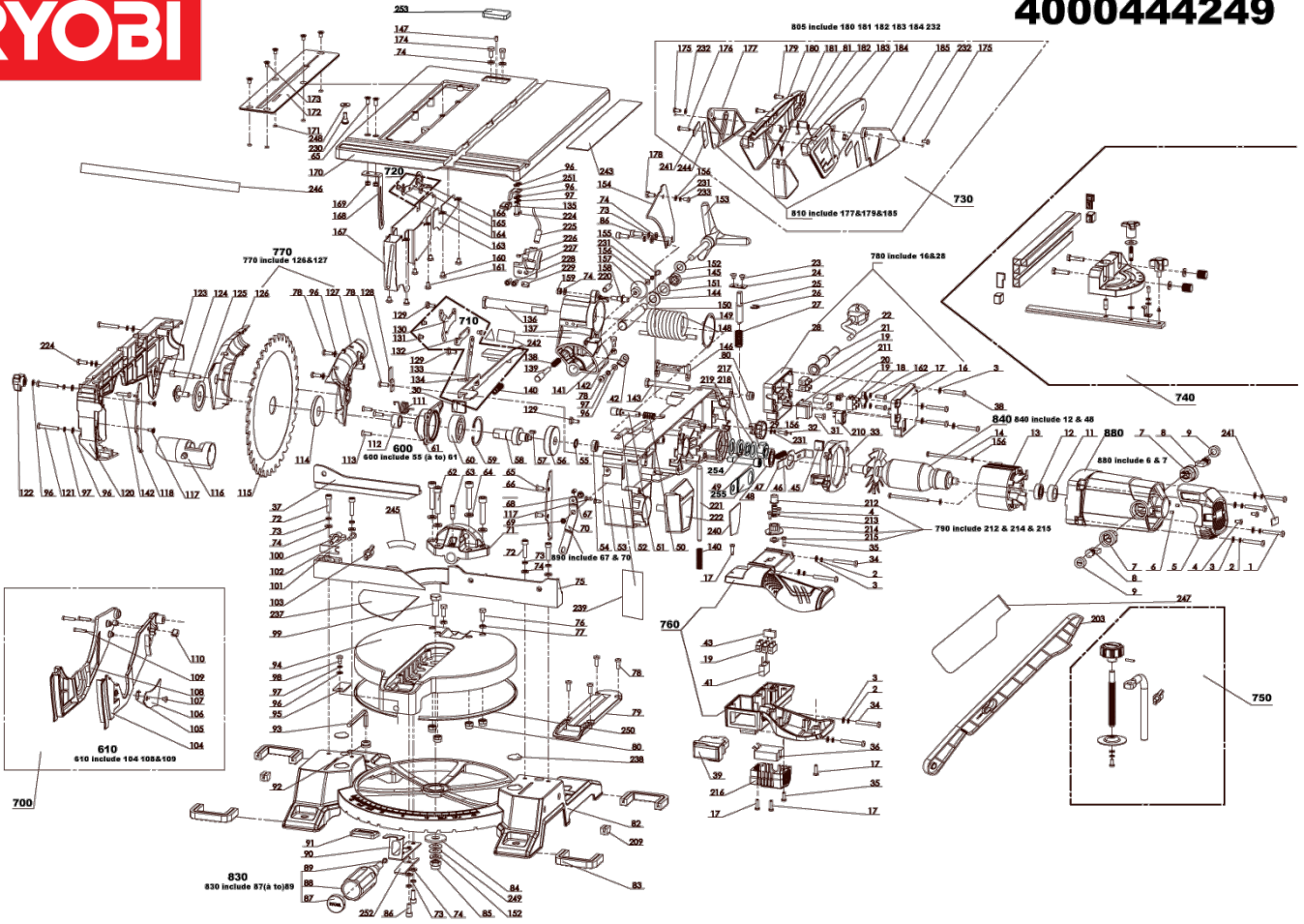


RTMS1800G 1800W TABLE SAW+STD IN2

5133002152 - RTMS1800G - 4000444249





Position	Quantity	Description	Part number	EAN
001	4	SCREW	5131000000	
002	8	SPRING WASHER	5131000000	
003	12	WASHER	5131032246	4058546133405
004	4	SCREW	5131000000	
005	1	HOUSING COVER	5131000000	
006	2	SCREW	5131000000	
007	2	BRUSH HOLDER	5131032251	4058546133450
008	2	CARBON BRUSH	5131032253	4058546133474
009	2	BRUSH COVER	5131032254	4058546133481
011	1	BUSHING	5131032255	4058546133498
012	1	BALL BEARING	5131032257	4058546133511
013	1	ELECTRIC FIELD	5131032260	4058546133542
014	2	SCREW	5131000000	
017	6	SCREW	5131000000	
018	1	PRESSURE PLATE	5131000000	
019	7	CONNECTOR	5131032265	4058546133597
020	1	CAPACITOR	5131032266	4058546133603
021	1	RUBBER SLEEVE	5131000000	
022	1	POWER CORD	5131032268	4058546133627
023	2	SCREW	5131032269	4058546133634
024	1	LOCKING PLATE	5131000000	
025	1	LOCK PIN	5131032271	4058546133658
026	1	SPLIT WASHER DIA,8 (BLACK)	5131032272	4058546133665
027	1	SPRING	5131000000	
029	1	KNOB	5131032274	4058546133689
030	1	PUSH-BUTTON	5131032436	4058546135201
031	1	SCREW	5131000000	
032	1	SCREW	5131032277	4058546133719
033	1	FAN HOUSING	5131032278	4058546133726
034	4	SCREW	5131000000	
035	1	INDICATOR	5131000000	
035	2	SCREW	5131000000	
036	1	SOFT START	5131032281	4058546133757
037	1	EXTENSION PIECE	5131032282	4058546133764
038	4	SCREW	5131000000	
039	1	SWITCH	5131032284	4058546133788
041	1	CAPACITOR	5131032286	4058546133801
042	1	GUIDE PLATE	5131000000	
043	1	SWITCH	5131032288	4058546133825
045	1	INTERLOCK PLATE	5131000000	
046	1	SPRING	5131032290	4058546133849
047	1	PLATE	5131000000	
048	1	BALL BEARING	5131032259	4058546133535
049	1	BOLT	5131000000	
050	1	SPRING	5131032293	4058546133870
051	1	AXLE	5131032294	4058546133887
052	1	POWER CORD	5131032295	4058546133894
053	1	FRAME	5131000000	
054	1	BALL BEARING	5131032297	4058546133900
055	1	SHAFT CLIP	5131032299	4058546133924

Position	Quantité	Désignation	Référence	EAN
056	1	GEAR	5131032300	4058546133931
057	1	KEY	5131032301	4058546133948
058	1	GEAR SHAFT	5131032302	4058546133955
059	1	CIRCLIP	5131032303	4058546133962
060	1	BALL BEARING	5131032304	4058546133979
061	1	BEARING HOUSING	5131032305	4058546133986
062	4	SCREW	5131032306	4058546133993
063	1	SPINDLE	5131032307	4058546134006
064	4	WASHER	5131000000	
065	4	SCREW	5131032309	4058546134020
066	1	PLATE	5131032310	4058546134037
068	1	SCREW	5131032312	4058546134051
069	1	HEXAGON NUT	5131032313	4058546134068
071	1	BRACKET	5131032314	4058546134075
072	4	SCREW	5131032315	4058546134082
073	8	WASHER	5131000000	
074	11	WASHER	5131032317	4058546134105
075	1	FENCE	5131032318	4058546134112
076	2	SCREW	5131000000	
077	2	HEXAGON NUT	5131000000	
078	8	HEXAGON NUT	5131000000	
079	1	GROUND PLATE	5131032428	4002395258369
080	5	HEXAGON NUT	5131000000	
081	1	SPRING	5131000000	
082	1	BASE PLATE	5131000000	
083	4	FOOT	5131032326	4058546134181
084	1	GASKET	5131032327	4058546134198
085	1	HEXAGON NUT	5131000000	
086	4	SCREW	5131000000	
090	1	LATCH PLATE	5131000000	
091	1	PUSH-BUTTON	5131000000	
092	1	SEAL RING	5131000000	
093	1	HEX WRENCH	5131000000	
094	1	TURN TABLE	5131000000	
096	13	WASHER	5131032336	4058546134273
097	8	WASHER	5131000000	
098	1	SCREW	5131000000	
099	1	SCREW	5131000000	
100	1	WINGED SCREW	5131000000	
101	1	CLAMPING PLATE	5131000000	
102	1	SCREW	5131000000	
105	1	COIL SPRING	5131032345	4058546134358
106	1	COVER	5131032346	4058546134365
107	1	SCREW	5131032347	4058546134372
110	1	BUFFER	5131032348	4058546134389
111	1	SPRING	5131000000	
112	1	SEAL RING	5131032350	4058546134402
113	3	SCREW	5131032351	4058546134419
114	1	PRESSURE PLATE	5131032352	4058546134426
116	1	DUST EXTRACTION	5131032353	4058546134433

Position	Quantité	Désignation	Référence	EAN
117	4	SCREW	5131032354	4058546134440
118	1	PLATE	5131032355	4058546134457
120	1	COVER	5131032357	4058546134471
121	3	SCREW	5131032358	4058546134488
122	1	KNOB	5131032359	4058546134495
123	1	BOLT	5131032360	4058546134501
124	1	SCREW	5131032361	4058546134518
125	1	CLAMPING FLANGE	5131032362	4058546134525
128	1	PLATE	5131000000	
129	3	SCREW	5131032365	4058546134556
130	1	LOCKING PIECE	5131000000	
131	3	RIVET	5131000000	
132	1	LOCKING PIECE	5131000000	
133	1	LOCKING PIECE	5131032370	4058546134600
134	1	CONNECTING ROD	5131032371	4058546134617
135	1	BUTTON	5131000000	
136	1	AXLE	5131000000	
137	1	BEARING END PLATE	5131032374	4058546198473
138	1	SPRING	5131032375	4058546134648
139	1	AXLE	5131032376	4058546134655
140	2	SPRING	5131000000	
141	1	HEXAGON NUT	5131000000	
142	3	SCREW	5131032379	4058546134686
143	1	AXLE	5131032380	4058546134693
144	1	WASHER	5131000000	
145	1	HEXAGON NUT	5131000000	
146	1	PLATE	5131032383	4058546134723
147	1	SCREW	5131032384	4058546134730
148	1	SPRING	5131032385	4058546134747
149	1	FRAME	5131032430	4002395258383
150	1	AXLE	5131000000	
151	1	WASHER	5131000000	
152	2	WASHER	5131000000	
153	1	TURNING KNOB	5131032390	4058546134792
154	1	UPPER CUTTING KNIFE	5131032391	4058546134808
155	1	SCREW	5131000000	
156	5	WASHER	5131032393	4058546134822
157	1	HORIZONTAL POSITIONING PIN KNOB	5131032443	4058546135270
158	1	LOCKING PIN	5131032394	4058546134839
159	1	HEXAGON NUT	5131032395	4058546134846
160	6	SCREW	5131032396	4058546134853
161	1	SCREW	5131032397	4058546134860
162	2	WASHER	5131000000	
163	1	PLATE	5131000000	
164	1	RIVET	5131000000	
165	1	BRACKET	5131000000	
166	1	PLATE	5131000000	
167	1	CUTTING GUARD	5131032404	4058546134938
168	1	LOCKING PLATE	5131032405	4058546134945
169	2	HEXAGON NUT	5131032406	4058546134952

Position	Quantité	Désignation	Référence	EAN
170	1	TABLE	5131000000	
171	5	SEALING WASHER	5131000000	
172	1	INSERT	5131032429	4002395258376
173	5	SCREW	5131032409	4058546134976
174	2	SCREW	5131000000	
175	2	SCREW	5131000000	
176	1	SCREW	5131032414	4058546135027
178	1	SCREW	5131000000	
179	2	SCREW	5131000000	
181	1	SPRING	5131000000	
182	1	SPRING	5131000000	
183	1	COVER	5131032420	4058546135089
203	1	PUSH STICK	5131032479	4058546135638
209	2	RUBBER FOOT	5131000000	
210	1	SWITCH	5131032453	4058546135379
211	1	TRANSFORMER	5131032454	4058546135386
213	1	SPRING	5131032456	4058546135409
216	1	COVER	5131000000	
217	1	HEXAGON NUT	5131032458	4058546135423
218	1	WASHER	5131000000	
219	1	SPRING WASHER	5131000000	
220	1	SCREW	5131032460	4058546135447
221	1	ROD	5131032461	4058546135454
222	1	COVER	5131000000	
224	3	SCREW	5131000000	
225	1	LASER	5131032465	4058546135492
226	1	SCREW	5131000000	
227	1	SUPPORT	5131032467	4058546135515
228	2	SCREW	5131000000	
229	1	PLATE	5131032469	4058546135539
230	1	SCREW	5131000000	
231	3	WASHER	5131032471	4058546135553
232	2	WASHER	5131000000	
233	1	SCREW	5131000000	
234	1	SCREW	5131000000	
237	1	LABEL ON THE TURNING TABLE	5131000000	
238	2	LABEL	5131000000	
239	1	LABEL	5131000000	
240	1	LABEL	5131000000	
241	3	LABEL	5131000000	
242	1	LABEL	5131032486	4058546135706
243	1	LABEL	5131000000	
244	5	LABEL	5131000000	
245	1	LABEL	5131000000	
246	1	LABEL	5131032490	4058546135744
247	1	DUST BAG	5131032480	4058546135645
248	2	SCREW	5131000000	
249	2	WASHER	5131000000	
250	2	GASKET	5131032476	4058546135607
251	1	SUPPORT BRACKET	5131000000	

Position	Quantité	Désignation	Référence	EAN
252	1	PLATE	5131000000	
253	1	COVER	5131033251	4002395160600
254	1	COVER	5131033251	4002395160600
255	1	PLATE	5131033253	4002395160624
600	1	OUTPUT SHAFT ASSEMBLY	5131032298	4058546133917
610	1	LOWER BLADE GUARD RIVETS ASSEMBLY	5131000000	
700	1	CUTTING GUARD	5131032343	4058546134341
710	1	CONNECTING ROD	5131032366	4058546134563
720	1	BRACKET	5131032400	4058546134891
730	1	CUTTING GUARD ASSEMBLY	5131032412	4058546135003
740	1	PARALL./ANGLE GUIDE	5131032422	4058546135102
750	1	CLAMP	5131032442	4058546135263
760	1	HANDLE COMPL.	5131000000	
770	1	SUCTION PIPE	5131032363	4058546134532
780	1	COVER	5131000000	
790	1	PLATE	5131032455	4058546135393
805	1	UPPER BLADE GUARD	5131032417	4058546135058
810	1	GUARD COVER	5131032415	4058546135034
820	1	ANTI-CHIPPING DEVI.	5131000000	
830	1	HANDLE	5131032330	4058546134228
840	1	ARMATURE ASSEMBLY	5131032256	4058546133504
880	1	HOUSING SET ASSY	5131032249	4058546133436
890	1	CONNECTING ROD	5131000000	
115	1	SB254T24A1 TCT BLDE 254MM 24T EMEA	5132002621	4892210121769
115	1	SB254T48A1 TCT BLDE 254MM 48T EMEA	5132002622	4892210121776