

Milwaukee®

Nothing but **HEAVY DUTY**.®



M18 FFSDC

Original instructions
Originalbetriebsanleitung
Notice originale
Istruzioni originali
Manual original
Manual original
Oorspronkelijke
gebruiksaanwijzing
Original brugsanvisning
Original bruksanvisning
Bruksanvisning i original

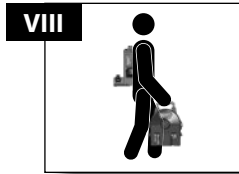
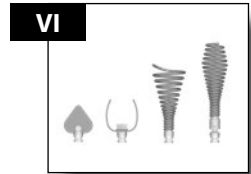
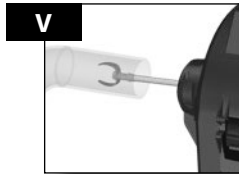
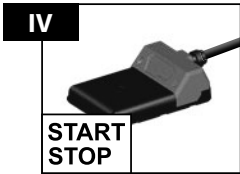
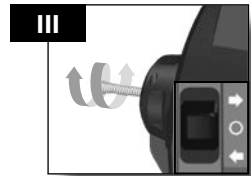
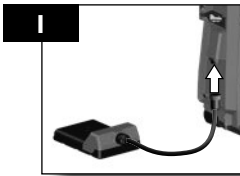
Alkuperäiset ohjeet
Πρωτότυπο οδηγίων χρήσης
Orijinal işletme talimatı
Původním návodem k používání
Pôvodný návod na použitie
Instrukcją oryginalną
Eredeti használati utasítás
Izvirna navodila
Originalne pogonske upute
Instrukcijām oriēināvalodā
Originali instrukcija

Algupärane kasutusjuhend
Оригинальное руководство
по эксплуатации
Orijinalno rъководство за
експлоатация
Instrucțiuni de folosire originale
Оригинален прирачник за
работа
Оригінал інструкції з
експлуатації
التعليمات الأصلية

Technical Data, Safety Instructions, Specified Conditions of Use, Declaration of Conformity, Batteries, Maintenance, Symbols	Please read and save these instructions!	English	15
Technische Daten, Sicherheitshinweise, Bestimmungsgemäße Verwendung, CE-Konformitätserklärung, Akku, Wartung, Symbole	Bitte lesen und aufbewahren!	Deutsch	18
Caractéristiques techniques, Instructions de sécurité, Utilisation conforme aux prescriptions, Déclaration CE de Conformité, Accus, Entretien, Symboles	A lire et à conserver soigneusement	Français	21
Dati tecnici, Norme di sicurezza, Utilizzo conforme, Dichiarazione di Conformità CE, Batterie, Manutenzione, Simboli	Si prega di leggere e conservare le istruzioni!	Italiano	24
Datos técnicos, Instrucciones de seguridad, Aplicación de acuerdo a la finalidad, Declaración de Conformidad CE, Batería, Mantenimiento, Símbolos	Lea y conserve estas instrucciones por favor!	Español	27
Características técnicas, Instruções de segurança, Utilização autorizada, Declaração de Conformidade CE, Acumulador, Manutenção, Símbolo	Por favor leia e conserve em seu poder!	Português	30
Technische gegevens, Veiligheidsadviezen, Voorgeschreven gebruik van het systeem, EC-Konformiteitsverklaring, Akku, Onderhoud, Symbolen	Lees en let goed op deze adviezen!	Nederlands	33
Tekniske data, Sikkerhedshenvisninger, Tiltænkent formål, CE-Konformitetserklæring, Batteri, Vedligeholdelse, Symboler	Vær venlig at læse og opbevare!	Dansk	36
Tekniske data, Spesielle sikkerhetshenvisninger, Formålsmessig bruk, CE-Samsvarserklæring, Batterier, Vedlikehold, Symboler	Vennligst les og oppbevar!	Norsk	39
Tekniska data, Säkerhetsutrustning, Använd maskinen Enligt anvisningarna, CEFörsäkran, Batterier, Skötsel, Symboler	Läs igenom och spara!	Svenska	42
Tekniset arvot, Turvallisuusohjeet, Tarkoituksenmukainen käyttö, Todistus CE-standardinmukaisuudesta, Akku, Huolto, Symbolit	Lue ja säilytö!	Suomi	45
Τεχνικά στοιχεία, Ειδικές υποδείξεις ασφαλείας, Χρήση σύμφωνα με το σκοπό προοριμού, Δήλωση πιστότητας ΕΚ, Μπαταρίες, Χαρακτηριστικά, Συντήρηση, Σύμβολα.	Παρακαλώ διαβάστε τις και φυλάξτε τις!	Ελληνικά	48
Teknik veriler, Güvenliğinizi için talimatlar, Kullanım, CE uygunluk beyanice, Akü, Bakım, Semboller	Lütfen okuyun ve saklayın	Türkçe	51
Technická data, Speciální bezpečnostní upozornění, Oblast využití, Ce-prohlášení o shodě, Akumulátory, Údržba, Symboly	Po přečtení uschovejte	Česky	54
Technické údaje, Špeciálne bezpečnostné pokyny, Použitie podľa a predpisov, CE-Vyhľadanie konformity, Sieťová prípojka, Údržba, Symboly	Prosím prečítať a uschovať!	Slovensky	57
Dane techniczne, Specjalne zalecenia dotyczące bezpieczeństwa, Użytkowanie zgodne z przeznaczeniem, Świadcstwo zgodności ce, Podłączenie do sieci, Gwarancja, Symbole	Należy uważnie przeczytać i zachować do wglądu!	Polski	60
Műszaki adatok, Különleges biztonsági tudnivalók, Rendeltetésszerű használat, Ce-azonosítási nyilatkozat, Hálózati csatlakoztatás, Karbantartás, Szimbólumok	Olvassa el és őrizze meg	Magyar	63
Tehnični podatki, Specialni varnostni napotki, Uporaba v skladu z namembnostjo, Ce-izjava o konformnosti, Omrežni priključek, Vzdrževanje, Simboli	Prosimo preberite in shranite!	Slovensko	66
Tehnički podaci, Specijalne sigurnosne upute, Propisna upotreba, Ce-izjava konformnosti, Priključak na mrežu, Održavanje, Simboli	Molimo pročitati i sačuvati	Hrvatski	69
Tehniskie dati, Speciālie drošības noteikumi, Noteikumiem atbilstošs izmantojums, Atbilstība CE normām, Tikla pieslēgums, Apkope, Simboli	Pielikums lietošanas pamācībai	Latviski	72
Techniniai duomenys, Ypatingos saugumo nuorodos, Naudojimas pagal paskirti, CE Atitikties pareiškimas, Elektros tinklo jungtis, Techninis aptarnavimas, Simboliai	Prašome perskaityti ir neišmesti!	Lietuviškai	75
Tehnilised andmed, Spetsiaalsed turvajuhised, Kasutamine vastavalt otstarbele, EÜ Vastavusavaldus, Võrkühendamine, Hooldus, Sümbolid	Palun lugege läbi ja hoidke alal!	Eesti	78
Технические данные, Рекомендации по технике безопасности, Использо- вание, Подключение к электросети, Обслуживание, Символы	Пожалуйста прочтите и сохраните эту инструкцию.	Русский	81
Технически данни, Специални указания за безопасност, Използване по предназначение, CE-Декларация за съответствие, Свързване към мрежата, Поддръжка, Символи	Моля прочетете и запазете!	Български	85
Date tehnice, Instrucțiuni de securitate, Condiții de utilizare specificate, Declarație de conformitate, Acumulatori, Întreținere, Simboluri	Va rugăm citiți și păstrați aceste instrucțiuni	Română	88
Технички Податоци, Упатство За Употреба, Специфицирани Услови На Употреба, Еу-декларација За Сообразност, БАТЕРИИ, Одржување, Символи	Ве молиме прочитајте го и чувајте го ова упатство!	Македонски	91
Технічні характеристики, Вказівки З Техніки Безпеки, Використання за призначенням, Сертифікат Відповідності Вимогам Єс, Акумулятори, Обслуговування, Символи	Прочитайте та збережіть цю інструкцію.	Українська	94
تعليمات السلامة، شروط الاستخدام المحددة، البطاريات، إعلان المطابقة - الاتحاد الأوروبي، الصيانة، الرموز	يرجى قراءة وحفظ هذه التعليمات!	العربية	99





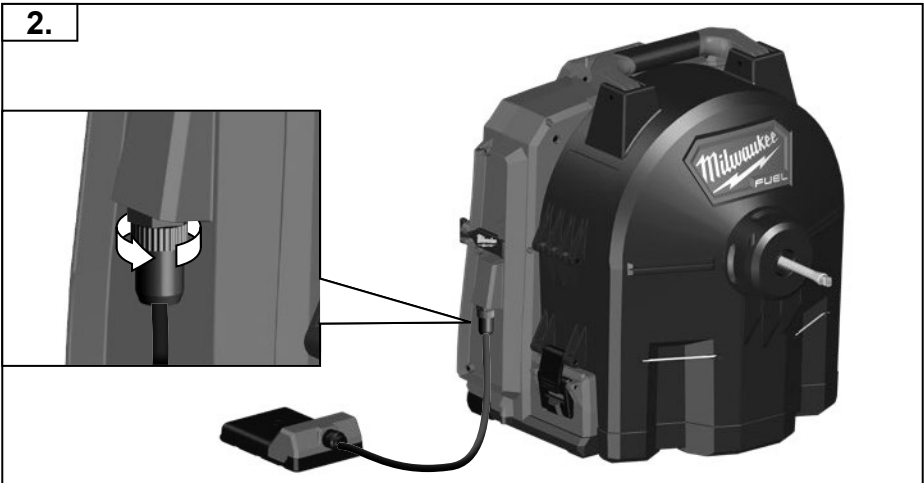
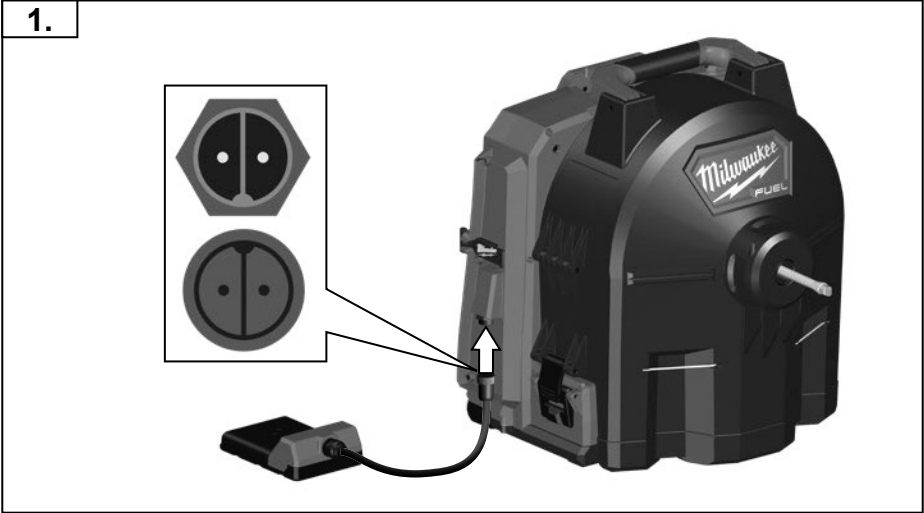


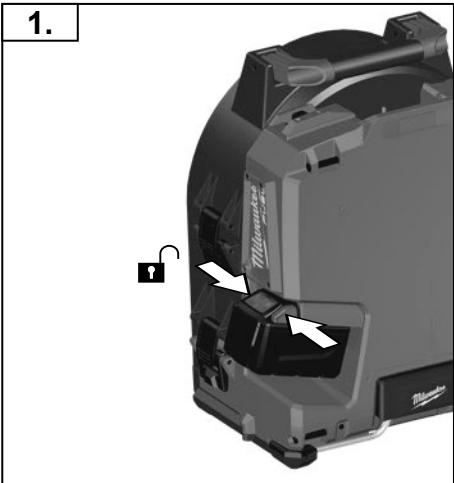
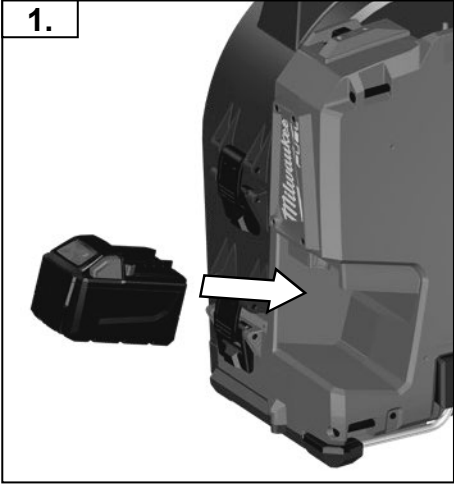
Accessory
Zubehör
Accessoires
Accessorio
Accessorio • **Acessório**
Toebehoren • **Tilbehør**
Tilbehør • **Tillbehør**
Lisälaite • **Εξαρτήματα**
Aksesuar • **Ρησλυσένστην**
Prislušenstv • **Wyposażenie**
Azokát a tartozékokat
Oprema • **Piederumi**
Priedas • **Tarvikud**
Дополнитель • **Аксесоари**
Ассесоари • **ополнителна**
опрема • **Комплектуочи**
الملحوق

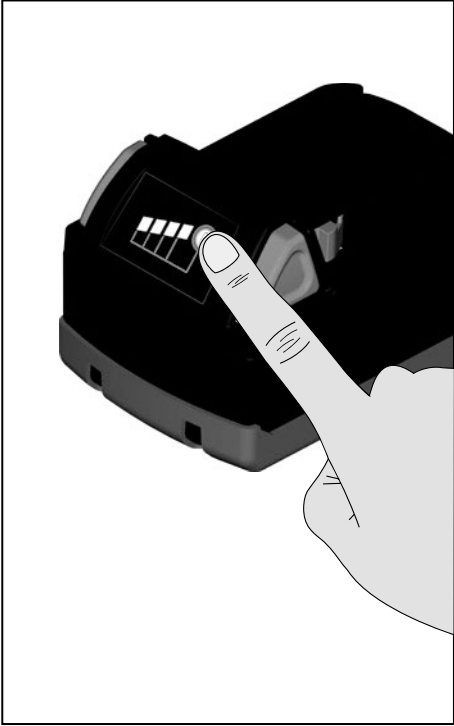
XI

Technische Daten • Technical Data
 Caractéristiques techniques • Data
 técnicos • Datos técnicos • Technik
 Características • Technici
 datos • Technici
 Tehnički podaci
 Tehnički podaci
 Технічні дані
 Технічні дані
 Технические данные • Technical Data













78-100 %





55-77 %





33-54 %

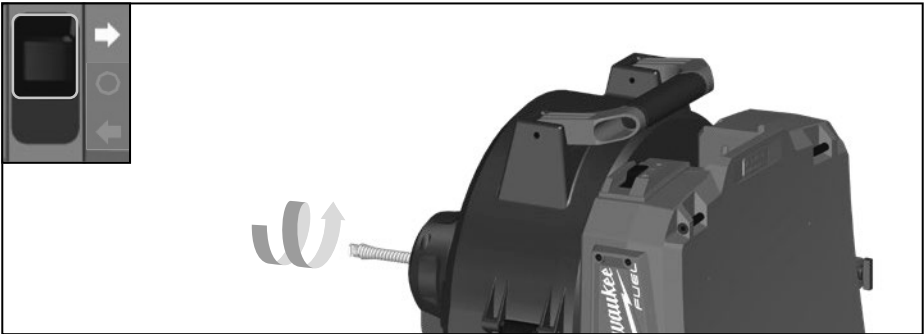
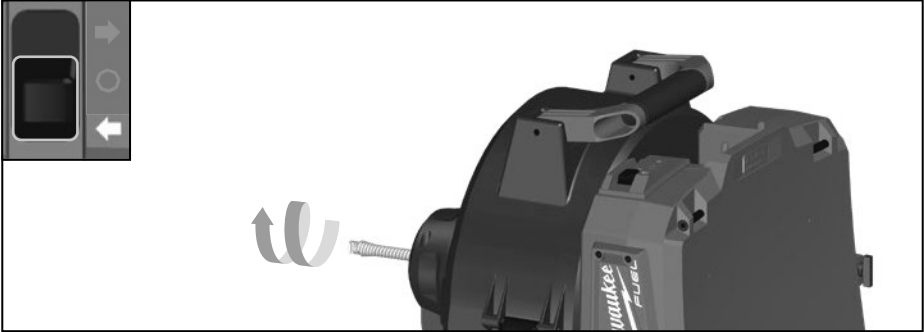


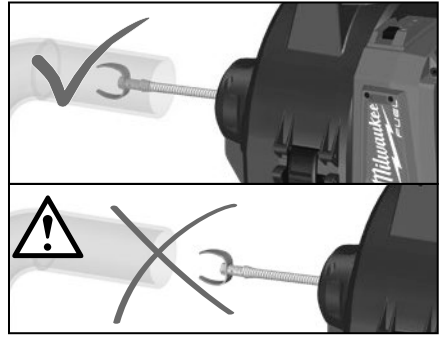
10-32 %



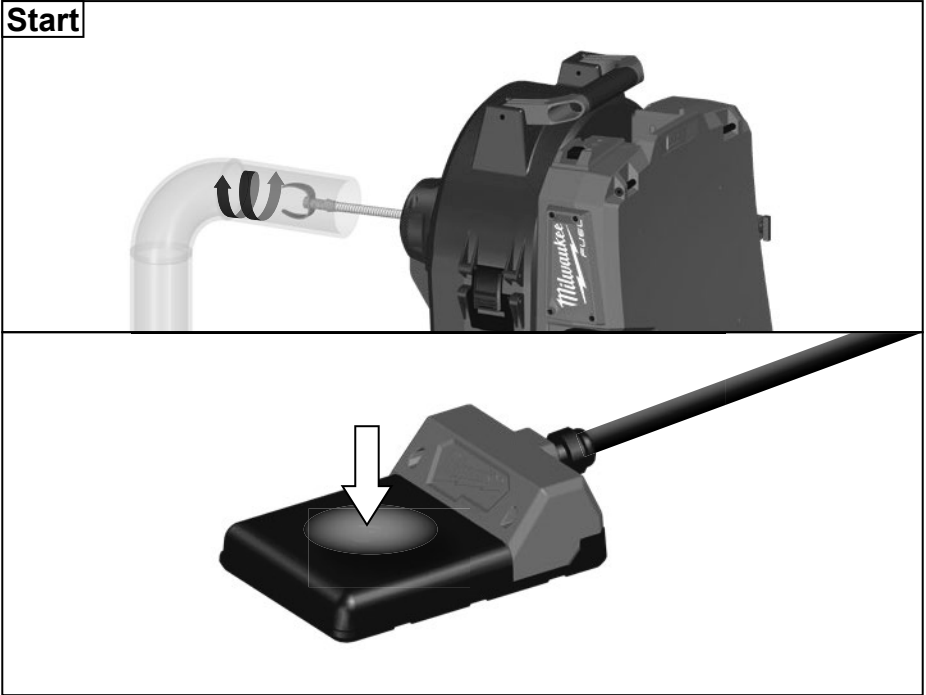
<10 %





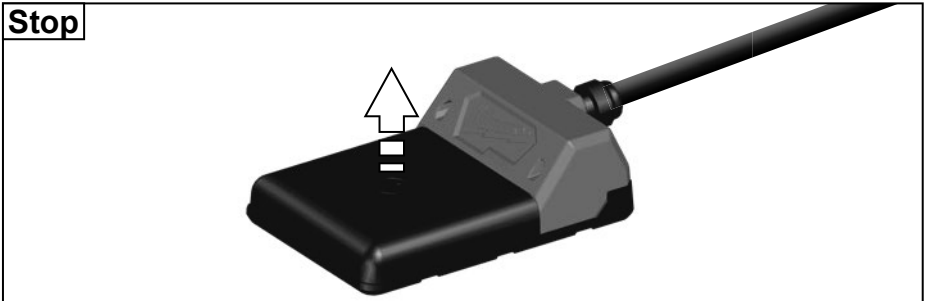


Start



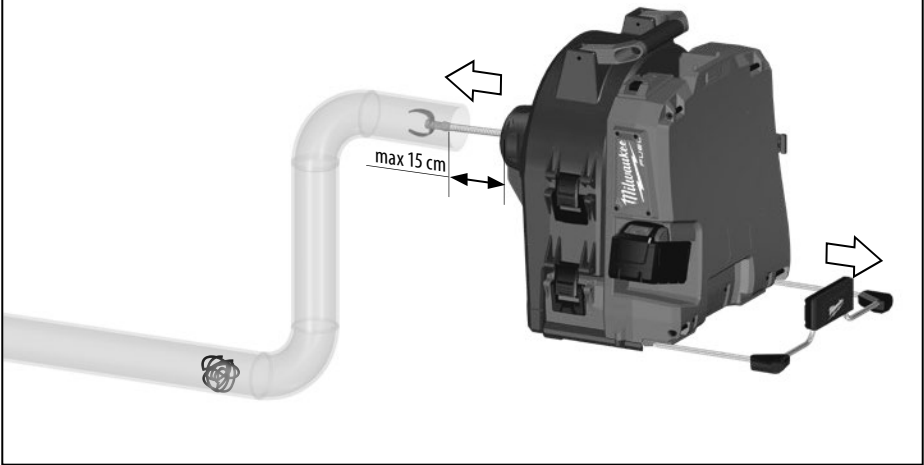
START
STOP

Stop

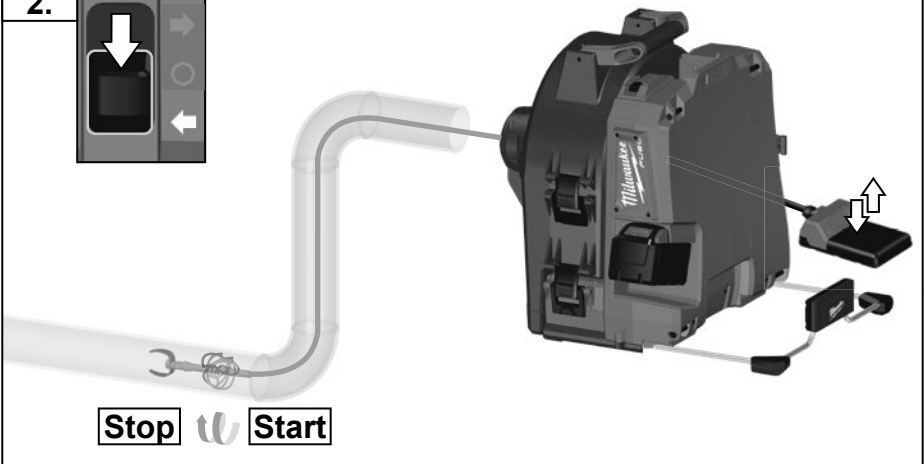


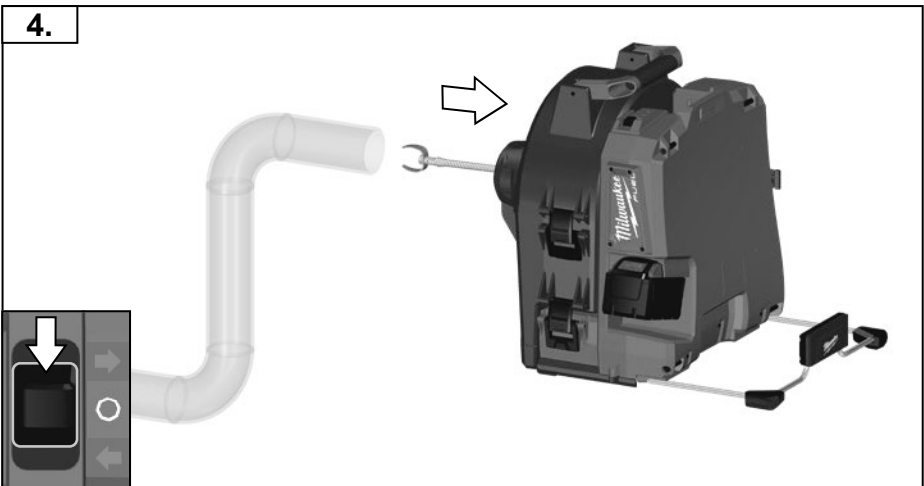
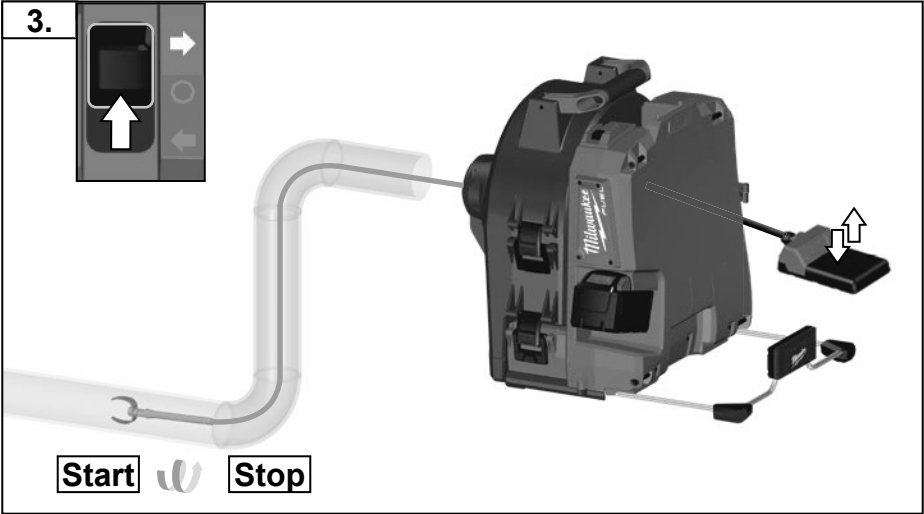


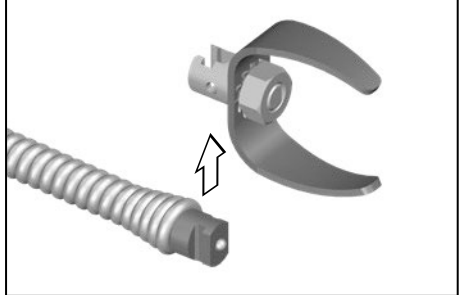
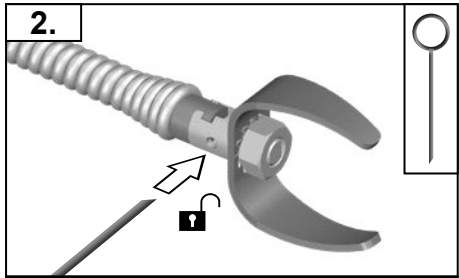
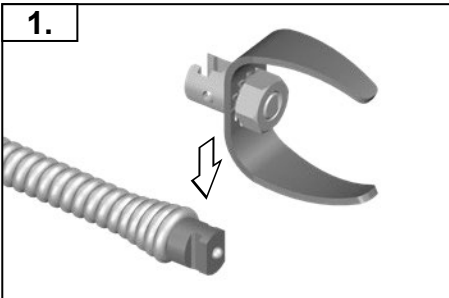
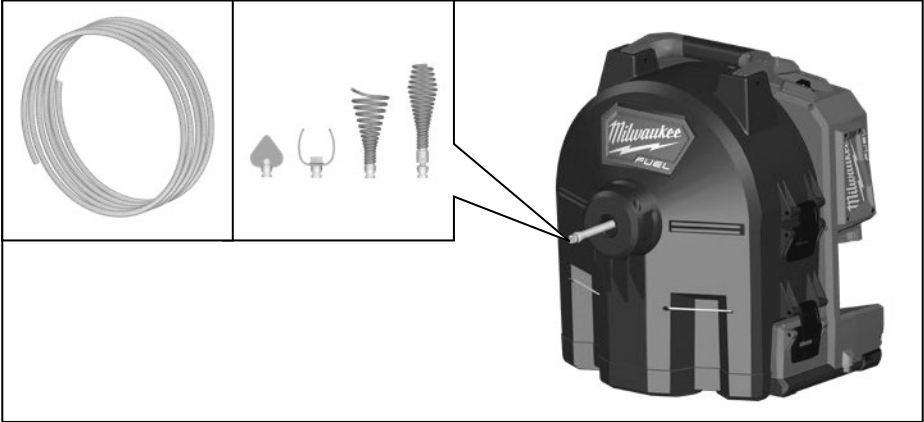
1.

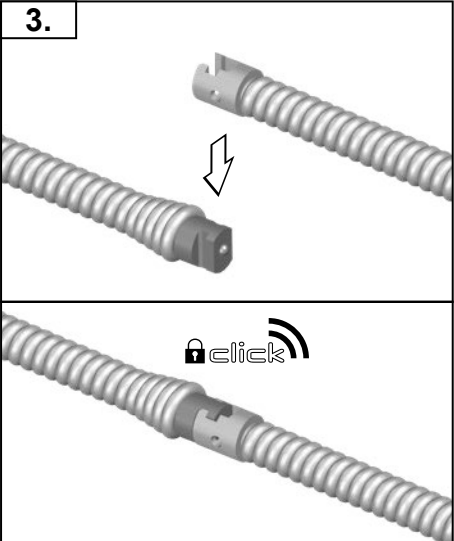
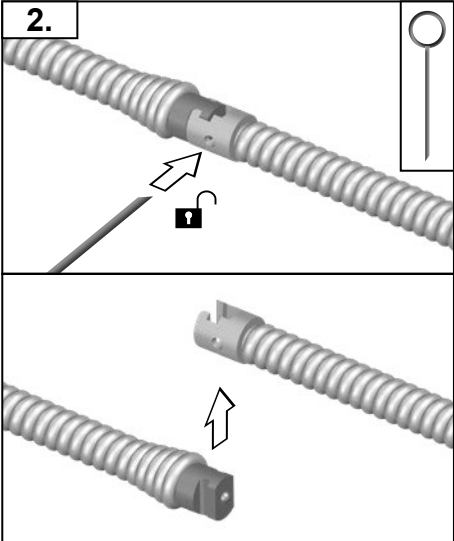
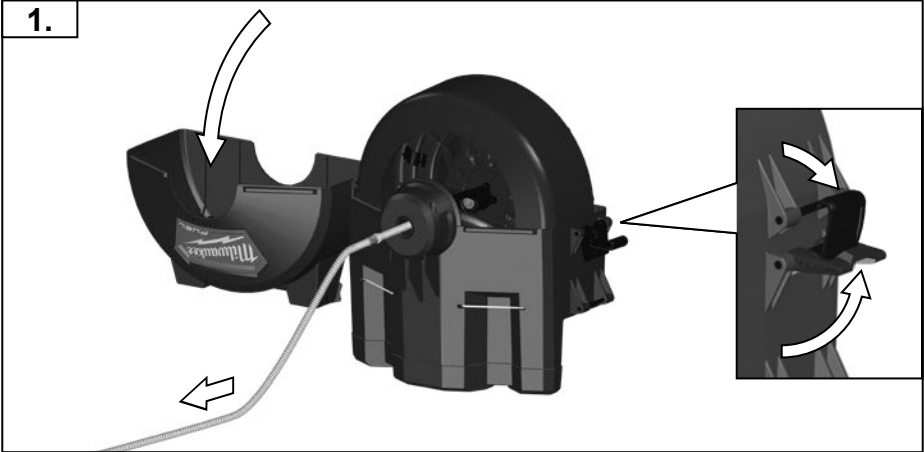


2.



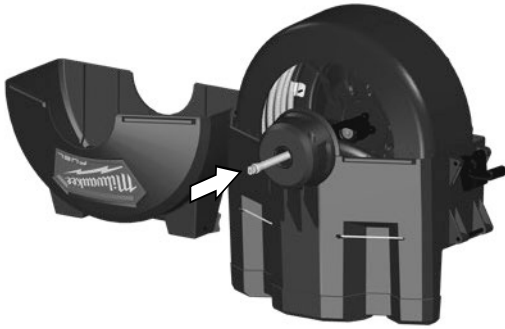




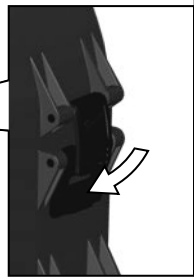


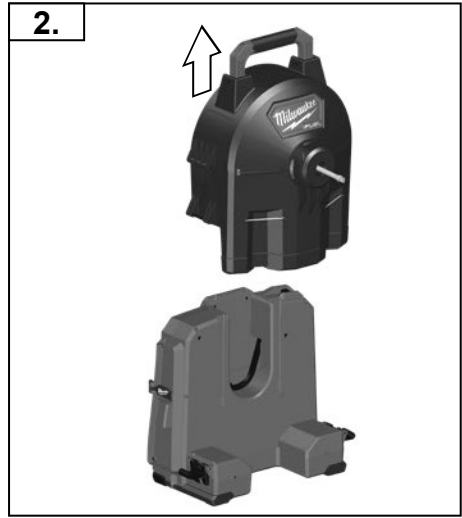
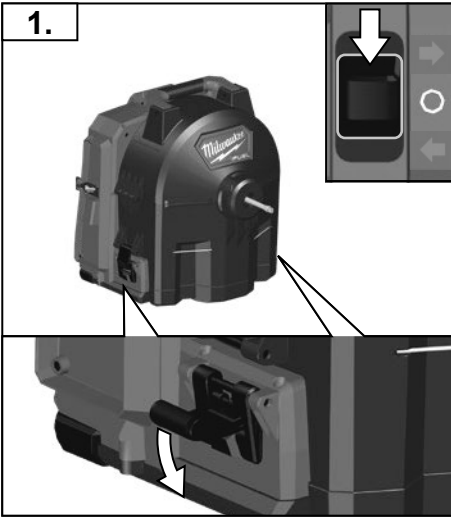


4.

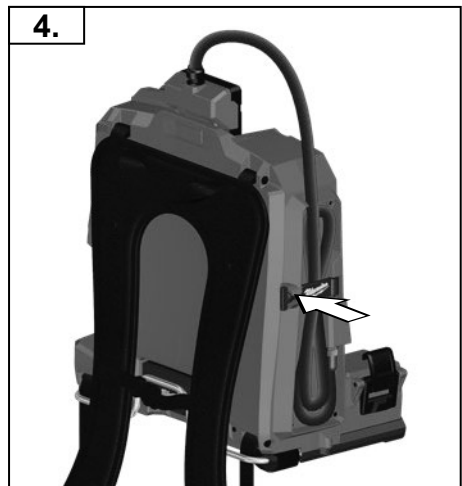
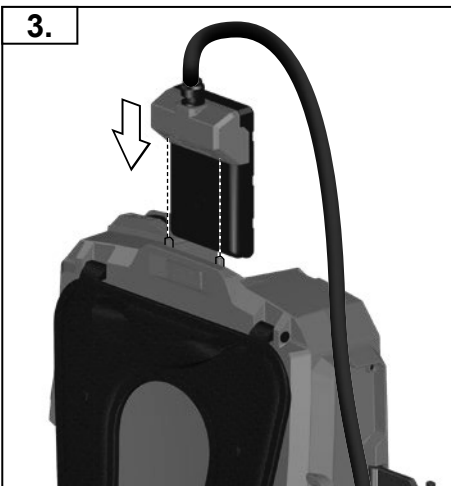


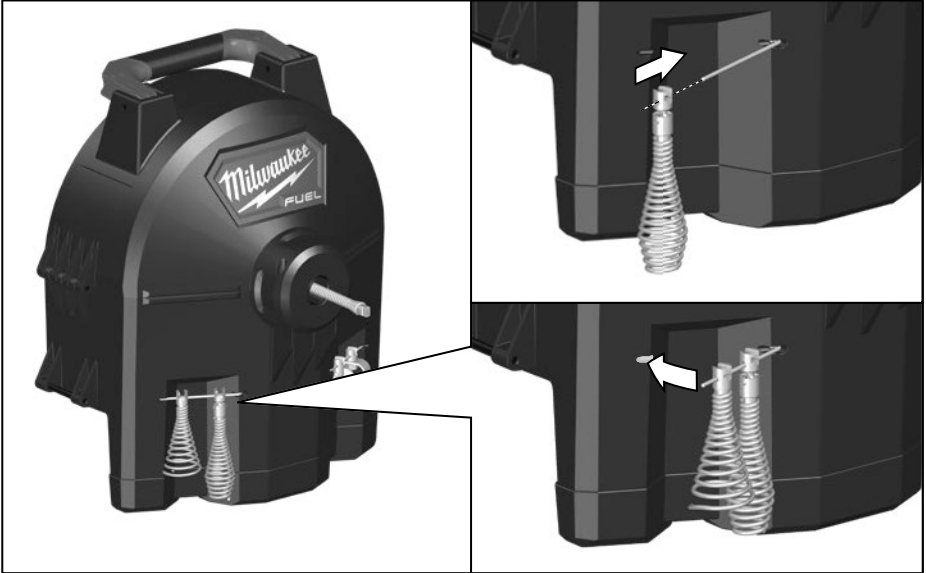
5.







VIII





Technical Data Drain Cleaner		M18 FFSDC		
Production code	4609 36 02... ... 000001-999999			
Battery voltage	18 V			
No-load speed	0 - 250 min ⁻¹			
Cable length	15 m			
Cable Size	10 mm	13 mm	16 mm	
Pipe Diameter	50 - 75 mm	50 - 100 mm	32 - 75 mm	
Weight according EPTA-Procedure 01/2014 (Li-Ion 5,0 Ah)	18,85 kg	23,65 kg	20,45 kg	
 Weight	11,0 kg	15,8 kg	12,6 kg	
 Weight	7,1 kg			
Recommended Ambient Operating Temperature	-18°C ... +50°C			
Recommended battery types	M18B...			
Recommended charger	M12-18...			
Noise information				
Measured values determined according to EN 62841. Typically, the A-weighted noise levels of the tool are:				
Sound pressure level (Uncertainty K=3dB(A))	72,4 dB (A)			
Sound power level (Uncertainty K=3dB(A))	83,4 dB (A)			
Wear ear protectors!				



⚠ WARNING! Read all safety warnings, instructions, illustrations and specifications provided with this power tool. Failure to follow the warnings and instructions may result in electric shock, fire and/or serious injury. **Save all warnings and instructions for future reference.**

⚠ DRAIN CLEANER SAFETY WARNINGS

Only grasp the rotating cable with gloves recommended by the manufacturer. Latex or loose fitting gloves or rags can become wrapped around the cable and may result in serious personal injury.

Do not allow the cutter to stop turning while the cable is turning. This can overstress the cable and may cause twisting, kinking or breaking of the cable and may result in serious personal injury.

Use latex or rubber gloves inside the gloves recommended by the manufacturer, goggles, face shields, protective clothing, and respirator when chemicals, bacteria or other toxic or infectious substances are suspected to be in a drain line. Drains may contain chemicals, bacteria and other substances that may cause burns, be toxic or infectious or may result in other serious personal injury.

Practice good hygiene. Do not eat or smoke while handling or operating the tool. After handling or operating drain cleaning equipment, use hot, soapy water to wash hands and other body parts exposed to drain contents. This will help reduce the risk of health hazards due to exposure to toxic or infectious material.

Only use the drain cleaner for the recommended drain sizes. Using the wrong size drain cleaner can lead to twisting, kinking or breaking of the cable and may result in personal injury.

Inspect cable for wear and damage before use. Replace a worn or damaged cable before using the drain cleaner.

Do not twist, kink or over bend cables. Breaking of the cable may result in serious personal injury.

Inspect the drain to be cleaned before use. If possible, determine the access point(s) to the drain, the size(s) and length(s) of the drain, distance to mainlines, the nature of the blockage, presence

of drain cleaning chemicals or other chemicals, etc. If chemicals are present in the drain, it is important to understand the specific safety measures required to work around those chemicals. Contact the chemical manufacturer for required information.

If needed, place protective covers in the work area. The drain cleaning process can be messy.

Make sure cable is fully retracted outside of the drain cleaner. This will prevent whipping at start up.

Determine if the drain cleaner can be placed within 15 cm of the drain opening. If not, the drain opening will need to be extended using a similar size pipe and fittings. Improper cable support may cause twisting, kinking or breaking of the cable.

Place the drain cleaner at a distance not greater than 15 cm from drain opening. Greater distances can cause control problems leading to twisting, kinking or breaking of the cable.

One person must control both the trigger switch and cable.

Do not operate the drain cleaner in reverse rotation except as described in this manual. Operating in reverse can result in cable damage and is used to back the tool out of blockages.

Maintain labels and nameplates. These carry important information. If unreadable or missing, contact a MILWAUKEE service facility for a free replacement.

Additional Safety and Working Instructions

Use protective equipment. Always wear safety glasses when working with the machine. The use of protective clothing is recommended, such as dust mask, protective gloves, sturdy non-slip footwear, helmet and ear defenders.

The dust produced when using this tool may be harmful to health. Do not inhale the dust. Wear a suitable dust protection mask.

Do not machine any materials that present a danger to health (e.g. asbestos).

Switch the device off immediately if the insertion tool stalls! Do not switch the device on again while the insertion tool is stalled, as doing so could trigger a sudden recoil with a high reactive force. Determine why the insertion tool stalled and rectify this, paying heed to the safety instructions.

Remove the battery pack before starting any work on the appliance.

Do not dispose of used battery packs in the household refuse or by burning them. Milwaukee Distributors offer to retrieve old batteries to protect our environment.

Do not store the battery pack together with metal objects (short circuit risk).

Battery acid may leak from damaged batteries under extreme load or extreme temperatures. In case of contact with battery acid wash it off immediately with soap and water. In case of eye contact rinse thoroughly for at least 10 minutes and immediately seek medical attention.

To reduce the risk of fire, personal injury, and product damage due to a short circuit, never immerse your tool, battery pack or charger in fluid or al-low a fluid to flow inside them. Corrosive or conductive fluids, such as seawater, certain industrial chemicals, and bleach or bleach containing products, etc., Can cause a short circuit.

Use only System M18 chargers for charging System M18 battery packs. Do not use battery packs from other systems.

Never break open battery packs and chargers and store only in dry rooms. Keep dry at all times.



SPECIFIED CONDITIONS OF USE

The Drain Cleaner is a hand held drain cleaning machine used to clean secondary drain lines, such as found in kitchens, bathrooms and utility rooms.

BATTERIES

Battery packs which have not been used for some time should be recharged before use.

Temperatures in excess of 50°C (122°F) reduce the performance of the battery pack. Avoid extended exposure to heat or sunshine (risk of overheating).

The contacts of chargers and battery packs must be kept clean.

For an optimum life-time, the battery packs have to be fully charged, after use.

To obtain the longest possible battery life remove the battery pack from the charger once it is fully charged.

For battery pack storage longer than 30 days: Store the battery pack where the temperature is below 27°C and away from moisture. Store the battery packs in a 30% - 50% charged condition. Every six months of storage, charge the pack as normal.

TRANSPORTING LITHIUM BATTERIES

Lithium-ion batteries are subject to the Dangerous Goods Legislation requirements.

Transportation of those batteries has to be done in accordance with local, national and international provisions and regulations.

The user can transport the batteries by road without further requirements.

Commercial transport of Lithium-Ion batteries by third parties is subject to Dangerous Goods regulations. Transport preparation and transport are exclusively to be carried out by appropriately trained persons and the process has to be accompanied by corresponding experts.

When transporting batteries:

Ensure that battery contact terminals are protected and insulated to prevent short circuit. Ensure that battery pack is secured against movement within packaging. Do not transport batteries that are cracked or leak. Check with forwarding company for further advice

BATTERY PACK PROTECTION

In extremely high torque, binding, stalling and short circuit situations that cause high current draw, the tool will vibrate for about 5 seconds, the fuel gauge will flash, and then the tool will turn OFF.

To reset, release the trigger.

Under extreme circumstances, the internal temperature of the battery pack could raise too much. If this happens, the fuel gauge will flash until the battery pack cooled down. After the lights go off, the work may continue.

Place the battery on the charger to charge and reset it.

ADDITIONAL HINTS FOR OPERATION

For normal operation see picture section.

Continue to feed the cable into the drain using a back and forth motion until the obstruction is cleared.

NOTE: If the tool binds, release pressure from the foot pedal immediately.

To unbind drain cleaner:

Withdraw the tool a few centimeters while in reverse to free the cable.

Stop the tool and after the tool has come to a complete stop, switch back to the forward direction.

CAUTION Extended operation of the tool in reverse can cause damage to the cable and accessories.

CABLE INSTALLATION

Cable Installation:

For cable installation see picture section.

WARNING! Cable is under pressure and can recoil unexpectedly during installation, which may result in personal injury. To reduce the risk of injury, wear safety goggles or glasses with side shields.

Always wear leather gloves.

Wind the new cable into the inner drum in the arrow direction shown on the inner drum. Fully insert the cable into the inner drum.

Read operator's manual. Use protective equipment.

Chemicals, bacteria and other substances that may cause burns, be toxic or infectious may be present.

Use hot, soapy water to wash hands after handling.

Always use bucket insert to avoid damage to the drain cable.

MAINTENANCE

Remove the battery pack before starting any work on the appliance.

Wash and wipe the exposed cable with a rag. Push the exposed cable back into the drum.

Before storing the drain cleaner, remove the full length of the cable. Coil it loosely and clean.

Use only Milwaukee accessories and Milwaukee spare parts. Should components need to be replaced which have not been described, please contact one of our Milwaukee service agents (see our list of guarantee/service addresses).

If needed, an exploded view of the tool can be ordered. Please state the Article No. as well as the machine type printed on the label and order the drawing at your local service agents or directly at: Techtronic Industries GmbH, Max-Eyth-Straße 10, 71364 Winnenden, Germany.

EC-DECLARATION OF CONFORMITY

We declare under our sole responsibility that the product described under "Technical Data" fulfills all the relevant provisions of the directives:

2011/65/EU (RoHS), 2006/42/EC, 2014/30/EU
and the following harmonized standards have been used.
EN 62841-1:2015
EN 62841-3-14:2017
EN 55014-1:2017+A11:2020
EN 55014-2:2015
EN IEC 63000:2018



Winnenden, 2020-11-16

Alexander Krug / Managing Director
Authorized to compile the technical file
Techtronic Industries GmbH
Max-Eyth-Straße 10, 71364 Winnenden, Germany

GB-DECLARATION OF CONFORMITY

We declare as the manufacturer under our sole responsibility that the product described under „Technical Data“ fulfills all the relevant provisions of the following Regulations
S.I. 2012/3032 (as amended), S.I. 2008/1597 (as amended),
S.I. 2016/1091 (as amended) and that the following designated standards have been used:

BS EN 62841-1:2015
BS EN 62841-3-14:2017
BS EN 55014-1:2017+A11:2020
BS EN 55014-2:2015
BS EN IEC 63000:2018

Winnenden, 2020-11-16

Alexander Krug / Managing Director
Authorized to compile the technical file
Techtronic Industries GmbH
Max-Eyth-Straße 10, 71364 Winnenden, Germany

SYMBOLS



CAUTION! WARNING! DANGER!



Please read the instructions carefully before starting the machine.



Always wear goggles when using the machine.



Wear gloves! Leather gloves recommended!



Risk of injury
Never wear the drum as a backpack!



Risk of injury
The drum must be closed before starting!



Remove the battery pack before starting any work on the appliance.



Accessory - Not included in standard equipment, available as an accessory.



Do not dispose electric tools, batteries/rechargeable batteries together with household waste material. Electric tools and batteries that have reached the end of their life must be collected separately and returned to an environmentally compatible recycling facility. Check with your local authority or retailer for recycling advice and collection point.

n₀ No-load speed

V Volts

— — Direct Current



CE European Conformity Mark

UKCA British Conformity Mark

Ukr Ukraine Conformity Mark

001 EAC EurAsian Conformity Mark



Technische Daten Rohrreiniger	M18 FFSDC		
Produktionsnummer	4609 36 02... ... 000001-999999		
Spannung Wechselakku	18 V		
Leerlaufdrehzahl	0 - 250 min ⁻¹		
Länge Spirale	15 m		
Spiralengröße	10 mm	13 mm	16 mm
Rohrdurchmesser	50 - 75 mm	50 - 100 mm	32 - 75 mm
Gewicht nach EPTA-Prozedur 01/2014 (Li-Ion 5,0 Ah)	18,85 kg	23,65 kg	20,45 kg
 Gewicht	11,0 kg	15,8 kg	12,6 kg
 Gewicht	7,1 kg		
Empfohlene Umgebungstemperatur für den Betrieb	-18°C ... +50°C		
Empfohlene Akku Typen	M18B...		
Empfohlene Ladegeräte	M12-18...		
Geräuschinformation	Messwerte ermittelt entsprechend EN 62841. Der A-bewertete Geräuschpegel des Gerätes beträgt typischerweise:		
Schalldruckpegel (Unsicherheit K=3dB(A))	72,4 dB (A)		
Schallleistungspegel (Unsicherheit K=3dB(A))	83,4 dB (A)		
Gehörschutz tragen!			



⚠️ WARNUNG! Lesen Sie alle Sicherheitshinweise, Anweisungen, Bilderungen und technischen Daten, mit denen dieses Elektrowerkzeug versehen ist. Versäumnisse bei der Einhaltung der nachfolgenden Anweisungen können elektrischen Schlag, Brand und/oder schwere Verletzungen verursachen. **Bewahren Sie alle Sicherheitshinweise und Anweisungen für die Zukunft auf.**

⚠️ SICHERHEITSHINWEISE FÜR ROHRREINIGER

Fassen Sie die drehende Spirale nur mit den vom Hersteller empfohlenen Handschuhen an. Latex- oder lose sitzende Handschuhe bzw. Tücher können sich um die Spirale wickeln und schwere Verletzungen verursachen.

Stellen Sie sicher, dass sich die Spiralspitze nicht verhakt, solange sich die Spirale dreht. Andernfalls kann die Spirale überlastet werden und sich übermäßig verdrehen, knicken oder brechen, was zu schweren Verletzungen führen kann.

Wenn das zu reinigende Abflussrohr Chemikalien, Bakterien oder andere toxische Substanzen bzw. Infektionserreger enthalten könnte, dann verwenden Sie unter den vom Hersteller empfohlenen Schutzhandschuhen Latex- oder Gummihandschuhe sowie Schutzbrille, Gesichtsschutz, Schutzkleidung und Atemschutzmaske. Rohrleitungen können Chemikalien, Bakterien oder andere Substanzen enthalten, die toxisch oder infektionserregend sein und Verätzungen oder andere schwere Verletzungen hervorrufen können.

Beachten Sie die Hygienevorschriften. Essen und rauchen Sie nicht während Sie das Gerät einsetzen. Nach dem Umgang mit oder dem Gebrauch von Rohrreinigungsggeräten sind die Hände und sonstige Körperteile, die mit dem Rohrinhalt in Berührung gekommen sind, immer mit warmem Wasser und Seife zu waschen. So vermeiden Sie Gesundheitsrisiken auf Grund von Kontakt mit toxischen oder infektionserregenden Stoffen.

Der Rohrreiniger ist nur für Rohre der angegebenen Größen zu verwenden. Die Verwendung eines Rohrreinigers der falschen Größe kann zum Verdrehen, Knicken oder Brechen der Spirale und zu Verletzungen führen.

Prüfen Sie die Spirale vor dem Gebrauch auf Verschleißspuren und Beschädigungen. Ersetzen Sie eine verschlissene oder beschädigte Spirale vor dem Einsatz des Rohrreinigers.

Die Spirale nicht verdrehen, knicken oder übermäßig biegen. Das Brechen der Spirale kann schwere Verletzungen verursachen.

Inspizieren Sie das zu reinigende Rohr vor dem Einsatz des Geräts. Bestimmen Sie soweit möglich Zugangspunkt(e), Durchmesser und Länge der Rohrleitung sowie die Entfernung zu den Hauptleitungen, die Art der Verstopfung und das Vorhandensein von Rohrreinigungsmitteln oder anderen Chemikalien. Falls sich Chemikalien im Abflussrohr befinden, sind entsprechende Sicherheitsmaßnahmen zu ergreifen. Wenden Sie sich an den Hersteller der Chemikalie, um die erforderlichen Informationen zu erhalten.

Decken Sie den Arbeitsbereich bei Bedarf ab. Die Reinigung von Abflussrohren kann eine schmutzige Angelegenheit sein.

Vergewissern Sie sich, dass die Spirale vollkommen aufgewickelt ist. So vermeiden Sie das peitschenartige Schlagen der Spirale beim Einschalten.

Vergewissern Sie sich, dass der Rohrreiniger in einem Abstand von maximal 15 cm von der Rohroöffnung platziert werden kann. Andernfalls muss der Zugang zur Rohroöffnung mit einem geeigneten Rohrstück ähnlichen Durchmessers überbrückt werden. Die unsachgemäße Spiralführung kann zum Verdrehen, Knicken oder Brechen der Spirale führen.

Positionieren Sie den Rohrreiniger in einem Abstand von maximal 15 cm von der Rohroöffnung. Bei einer größeren Entfernung lässt sich die Spirale nur schlecht kontrollieren und sie kann sich verdrehen, knicken oder brechen.

Spirale und Ein/Aus-Schalter müssen von ein und derselben Person bedient werden.

Mit Ausnahme der in dieser Anleitung genannten Situationen darf die Spirale nicht rückwärts gedreht werden. Das Rückwärtsdrehen kann zu einer Beschädigung der Spirale führen und dient lediglich dazu, die Spirale bei einer Rohrverstopfung wieder herauszuziehen.

Etiketten und Typenschilder nicht entfernen. Diese Schilder enthalten wichtige Informationen. Wenn diese Hinweisschilder nicht mehr leserlich sind oder fehlen, wenden Sie sich an den MILWAUKEE-Kundendienst, um kostenlosen Ersatz zu erhalten.

Weitere Sicherheits- und Arbeitshinweise

Schutzausrüstung verwenden. Beim Arbeiten mit der Maschine stets Schutzbrille tragen. Schutzkleidung wie Staubschutzmaske, Schutzhandschuhe, festes und rutschsicheres Schuhwerk, Helm und Gehörschutz werden empfohlen.

Beim Arbeiten entstehender Staub ist oft gesundheitsschädlich und sollte nicht in den Körper gelangen. Geeignete Staubschutzmaske tragen.

Es dürfen keine Materialien bearbeitet werden, von denen eine Gesundheitsgefährdung ausgeht (z.B. Asbest).

Beim Blockieren des Einsatzwerkzeuges bitte das Gerät sofort ausschalten! Schalten Sie das Gerät nicht wieder ein, solange das Einsatzwerkzeug blockiert ist; hierbei könnte ein Rückschlag mit hohem Reaktionsmoment entstehen. Ermitteln und beheben Sie die Ursache für die Blockierung des Einsatzwerkzeuges unter Berücksichtigung der Sicherheitshinweise.

Vor allen Arbeiten am Gerät den Wechselakku herausnehmen. Verbrauchte Wechselakkus nicht ins Feuer oder in den Hausmüll werfen. Milwaukee bietet eine umweltgerechte Alt-Wechselakku-Entsorgung an; bitte fragen Sie Ihren Fachhändler.

Wechselakkus nicht zusammen mit Metallgegenständen aufbewahren (Kurzschlussgefahr).

Unter extremer Belastung oder extremer Temperatur kann aus beschädigten Wechselakkus Batterieflüssigkeit auslaufen. Bei Berührung mit Batterieflüssigkeit sofort mit Wasser und Seife abwaschen. Bei Augenkontakt sofort mindestens 10 Minuten gründlich spülen und unverzüglich einen Arzt aufsuchen.

Um die durch einen Kurzschluss verursachte Gefahr eines Brandes, von Verletzungen oder Produktbeschädigungen zu vermeiden, tauchen Sie das Werkzeug, den Wechselakku oder das Ladegerät nicht in Flüssigkeiten ein und sorgen Sie dafür, dass keine Flüssigkeiten in die Geräte und Akkus eindringen. Korrodierende oder leitfähige Flüssigkeiten, wie Salzwasser, bestimmte Chemikalien und Bleichmittel oder Produkte, die Bleichmittel enthalten, können einen Kurzschluss verursachen.

Wechselakkus des Systems M18 nur mit Ladegeräten des Systems M18 laden. Keine Akkus aus anderen Systemen laden.

Wechselakkus und Ladegeräte nicht öffnen und nur in trockenen Räumen lagern. Vor Nässe schützen.

BESTIMMUNGSGEMÄSSE VERWENDUNG

Dieser Rohrreiniger ist ein Handgerät zum Reinigen von Neben-Abflussrohren, zum Beispiel in Küchen, Bädern und Hauswirtschaftsräumen.

AKKUS

Längere Zeit nicht benutzte Wechselakkus vor Gebrauch nachladen.

Eine Temperatur über 50°C vermindert die Leistung des Wechselakkus. Längere Erwärmung durch Sonne oder Heizung vermeiden. Die Anschlusskontakte an Ladegerät und Wechselakku sauber halten.

Für eine optimale Lebensdauer müssen nach dem Gebrauch die Akkus voll geladen werden.

Für eine möglichst lange Lebensdauer sollten die Akkus nach dem Aufladen aus dem Ladegerät entfernt werden.

Bei Lagerung des Akkus länger als 30 Tage: Akku bei ca. 27°C und trocken lagern. Akku bei ca. 30%-50% des Ladezustandes lagern. Akku alle 6 Monate erneut aufladen.

TRANSPORT VON LITHIUM-IONEN-AKKUS

Lithium-Ionen-Akkus fallen unter die gesetzlichen Bestimmungen zum Gefahrguttransport.

Der Transport dieser Akkus muss unter Einhaltung der lokalen, nationalen und internationalen Vorschriften und Bestimmungen erfolgen.

Verbraucher dürfen diese Akkus ohne Weiteres auf der Straße transportieren.

Der kommerzielle Transport von Lithium-Ionen-Akkus durch Speditionsunternehmen unterliegt den Bestimmungen des Gefahrguttransports. Die Versandvorbereitungen und der Transport dürfen ausschließlich von entsprechend geschulten Personen durchgeführt werden. Der gesamte Prozess muss fachmännisch begleitet werden.

Folgende Punkte sind beim Transport von Akkus zu beachten:

Stellen Sie sicher, dass die Kontakte geschützt und isoliert sind, um Kurzschlüsse zu vermeiden. Achten Sie darauf, dass der Akkupack innerhalb der Verpackung nicht verrutschen kann. Beschädigte oder auslaufende Akkus dürfen nicht transportiert werden. Wenden Sie sich für weitere Hinweise an Ihr Speditionsunternehmen.

AKKÜBERLASTSCHUTZ

Bei Überlastung des Akkus durch sehr hohen Stromverbrauch, z.B. extrem hohe Drehmomente, plötzlichem Stopp oder Kurzschluss, vibriert das Elektrowerkzeug 5 Sekunden lang, die Ladeanzeige blinkt und das Elektrowerkzeug schaltet sich selbsttätig ab.

Zum Wiedereinschalten, den Schalterdrücker loslassen und dann wieder einschalten.

Unter extremen Belastungen erhitzt sich der Akku zu stark. In diesem Fall blinken alle Lampen der Ladeanzeige bis der Akku abgekühlt ist. Nach Erlöschen der Ladeanzeige kann weitergearbeitet werden.

Den Akku dann in das Ladegerät stecken um ihn wieder aufzuladen und zu aktivieren.

ZUSÄTZLICHE TIPPS FÜR DEN GEBRAUCH

Beachten Sie die Abbildungen für den normalen Gebrauch.

Führen Sie die Spirale mit einer leichten Vor- und Rückwärtsbewegung in das Rohr ein, bis die Verstopfung beseitigt ist.

HINWEIS: Wenn das Werkzeug blockiert, den Schalter sofort loslassen.

Lösen eines blockierten Rohrreinigers:

Das Werkzeug in Rückwärtsdrehrichtung einige Zentimeter zurückziehen, um die Spirale zu lösen.

Das Werkzeug ausschalten und warten, bis es still steht. Dann das Werkzeug erneut in Vorwärtsdrehrichtung einschalten.

VORSICHT! Der fortwährende Betrieb des Werkzeugs in Rückwärtsdrehrichtung kann zu einer Beschädigung der Spirale und des Zubehörs führen.

SPIRALE MONTIEREN

Spirale montieren:

Beachten Sie die Abbildungen zur Montage der Spirale.

WARNUNG! Die Spirale steht unter Druck und kann bei der Montage plötzlich hervorschnellen, was zu Verletzungen führen kann.

Tragen Sie eine Schutzbrille oder eine Brille mit Seitenschutz, um das Verletzungsrisiko so gering wie möglich zu halten.

Tragen Sie immer Lederhandschuhe.

Wickeln Sie die neue Spirale in Pfeilrichtung (siehe Trommel) in die innere Trommel. Wickeln Sie die Spirale vollständig in die innere Trommel.

Lesen Sie die Bedienungsanleitung. Verwenden Sie eine geeignete Schutzausrüstung.



D

Beim Einsatz des Rohrreinigers können Sie mit Chemikalien, Bakterien oder anderen ätzenden, toxischen oder infektiösen Substanzen in Berührung kommen.

Die Hände nach Gebrauch mit warmem Wasser und Seife reinigen. Verwenden Sie immer den Behälterersatz, um eine Beschädigung der Spirale zu vermeiden.

WARTUNG

Vor allen Arbeiten am Gerät den Wechsellakku herausnehmen. Die freiliegende Spirale mit einem Lappen abwischen und wieder in die Trommel einschieben.

Vor Lagerung des Rohrreinigers, die Spirale vollkommen herausziehen. Die Spirale reinigen und locker aufwickeln.

Nur Milwaukee Zubehör und Milwaukee Ersatzteile verwenden. Bauteile, deren Austausch nicht beschrieben wurde, bei einer Milwaukee Kundendienststelle auswechseln lassen (Broschüre Garantie/Kundendienstadressen beachten).

Bei Bedarf kann eine Explosionszeichnung des Gerätes unter Angabe der Maschinen Type und der sechsstelligen Nummer auf dem Leistungsschild bei Ihrer Kundendienststelle oder direkt bei Techtronic Industries GmbH, Max-Eyth-Straße 10, 71364 Winnenden, Germany angefordert werden.



CE-KONFORMITÄTSERKLÄRUNG

Wir erklären in alleiniger Verantwortung, dass das unter „Technische Daten“ beschriebene Produkt mit allen relevanten Vorschriften der Richtlinien:

2011/65/EU (RoHS), 2006/42/EG, 2014/30/EU

und den folgenden harmonisierten normativen Dokumenten übereinstimmt

EN 62841-1:2015

EN 62841-3-14:2017

EN 55014-1:2017+A11:2020

EN 55014-2:2015

EN IEC 63000:2018



Winnenden. 2020-11-16

Alexander Krug / Managing Director
Bevollmächtigt die technischen Unterlagen zusammenzustellen.
Techtronic Industries GmbH
Max-Eyth-Straße 10, 71364 Winnenden, Germany

SYMBOLE



ACHTUNG! WARNUNG! GEFAHR!



Bitte lesen Sie die Gebrauchsanweisung vor Inbetriebnahme sorgfältig durch.



Beim Arbeiten mit der Maschine stets Schutzbrille tragen.



Immer Schutzhandschuhe – vorzugsweise aus Leder – tragen!



Verletzungsgefahr!
Tragen Sie die Trommel nie als Rucksack!



Verletzungsgefahr!
Vor dem Starten muss die Trommel geschlossen sein!



Vor allen Arbeiten am Gerät den Wechsellakku herausnehmen.



Zubehör - Im Lieferumfang nicht enthalten, empfohlene Ergänzung aus dem Zubehörprogramm.



Elektrogeräte, Batterien/Akkus dürfen nicht zusammen mit dem Hausmüll entsorgt werden. Elektrische Geräte und Akkus sind getrennt zu sammeln und zur umweltgerechten Entsorgung bei einem Verwertungsbetrieb abzugeben. Erkundigen Sie sich bei den örtlichen Behörden oder bei Ihrem Fachhändler nach Recyclinghöfen und Sammelstellen.

n₀ Leerlaufdrehzahl

V Spannung



== Gleichstrom

CE Europäisches Konformitätszeichen

UKCA Britisches Konformitätszeichen

Ukrainian Ukrainisches Konformitätszeichen

001 EAC Euroasiatisches Konformitätszeichen

Caractéristiques techniques		M18 FFSDC		
DébouchEUR				
Numéro de série		4609 36 02... ... 000001-999999		
Tension accu interchangeable		18 V		
Vitesse de rotation à vide		0 - 250 min ⁻¹		
Longueur vrille		15 m		
Grandeur vrille		10 mm	13 mm	16 mm
Diamètre tuyau		50 - 75 mm	50 - 100 mm	32 - 75 mm
Poids suivant EPTA-Procédure 01/2014 (Li-Ion 5,0 Ah)		18,85 kg	23,65 kg	20,45 kg
Poids 		11,0 kg	15,8 kg	12,6 kg
Poids 		7,1 kg		
Température ambiante conseillée pour le fonctionnement		-18°C ... +50°C		
Batteries conseillées		M18B...		
Chargeurs conseillés		M12-18...		
Informations sur le bruit				
Valeurs de mesure obtenues conformément à la EN 62841. Les mesures réelles (des niveaux acoustiques de l'appareil sont :				
Niveau de pression acoustique (Incertitude K=3dB(A))		72,4 dB (A)		
Niveau d'intensité acoustique (Incertitude K=3dB(A))		83,4 dB (A)		
Toujours porter une protection acoustique!				



⚠ AVERTISSEMENT! Lisez toutes les consignes de sécurité, instructions, présentations et données que vous recevez avec l'appareil. Le non-respect des avertissements et instructions indiqués ci après peut entraîner un choc électrique, un incendie et/ou de graves blessures sur les personnes. **Bien garder tous les avertissements et instructions.**

⚠ CONSIGNES DE SÉCURITÉ POUR LES DÉBOUCHEURS

Toucher la vrille tournante uniquement avec les gants conseillés par le fabricant. Des gants en latex, des gants pas très adhérents ou des chiffons pourraient s'enrouler autour de la vrille et causer des lésions graves.

S'assurer que la pointe de la vrille ne se coince pas tandis que la vrille tourne. Dans le cas contraire la vrille pourrait être soumise à une surcharge, se tordre excessivement, se plier à angle vif ou se casser en causant des lésions graves.

Si le tuyau de vidange pourrait contenir des produits chimiques, des bactéries ou d'autres substances toxiques et/ou des agents pathogènes, porter sous les gants de protection conseillés par le fabricant des gants en latex ou en caoutchouc, ainsi que des lunettes de protection, une protection faciale, des vêtements de protection et un masque respiratoire. Les tuyaux peuvent contenir des produits chimiques, des bactéries et d'autres substances potentiellement toxiques, pathogènes ou qui pourraient causer des brûlures ou d'autres lésions graves.

Respecter les normes concernant l'hygiène. Ne pas manger et ne pas fumer lors de l'utilisation de l'appareil. Après avoir manutentionné ou utilisé des dispositifs pour le débouchement des tuyaux, toujours laver les mains et d'autres parties du corps entrées en contact avec le contenu des tuyaux avec de l'eau chaude et du savon. De cette façon on évite tout risque pour la santé dérivé du contact avec des substances toxiques ou pathogènes.

Le déboucheur doit être utilisé uniquement pour les tuyaux de la dimension indiquée. Lors de l'utilisation d'un déboucheur ayant la dimension erronée, il est possible que la vrille se torde, se plie à angle vif ou se casse avec risque de lésions.

Contrôler la vrille avant son usage pour voir d'éventuels signes d'usure ou des dommages. Si la vrille est usagée ou endommagée, elle doit être remplacée avant l'utilisation du déboucheur.

Ne pas tordre, ne pas plier à angle vif et de toute façon ne pas plier excessivement la vrille. En cas de rupture de la vrille, elle pourrait causer des lésions graves.

Inspecter le tuyau à déboucher avant d'utiliser l'appareil. Établir, autant que possible, le/les point/s d'accès, le diamètre et la longueur du tuyau ainsi que sa distance de la conduite principale, le type d'obstruction et la présence d'agents pour le débouchement et d'autres produits chimiques. Si dans le tuyau de vidange il y a des produits chimiques, il faut prendre des mesures de sécurité appropriées. S'adresser au fabricant de l'agent chimique pour obtenir les informations nécessaires.

Si nécessaire, couvrir la zone de travail. Lors du débouchement des tuyaux de vidange, beaucoup de saleté pourrait être libérée.

S'assurer que la vrille soit complètement roulée. De cette façon on évite que lors de la mise en marche de la vrille, cette dernière effectue des mouvements à fouet.

S'assurer qu'il soit possible de positionner le déboucheur à une distance max. de 15 cm à partir de l'ouverture du tuyau. Dans le cas contraire, il faut fixer sur l'ouverture du tuyau une prolongation créée avec un morceau de tuyau ayant un diamètre pareil. Une insertion de la vrille effectuée d'une manière incorrecte peut causer la torsion, le pliage à angle vif ou la rupture de la vrille.

Positionner le déboucheur à une distance max. de 15 cm à partir de l'ouverture du tuyau. En cas d'une distance plus ample, il saurait difficile de contrôler la vrille qui pourrait se tordre, se plier à angle vif ou se casser.

La vrille et l'interrupteur ON/OFF doivent être contrôlés par la même personne.

À l'exception de la situation mentionnée dans ces instructions, la vrille ne doit jamais tourner à l'arrière. En faisant tourner la vrille à l'arrière, cette dernière pourrait être

endommagée ; cette manœuvre permet uniquement d'extraire la vrille d'une zone bouchée.

N'enlever aucune étiquette et plaquette. Les plaquettes contiennent des informations importantes. Dans le cas où ces plaquettes informatives ne soient plus lisibles ou soient absentes, veuillez vous adresser au service clients MILWAUKEE en vue d'obtenir un remplacement gratuit.

Avis complémentaires de sécurité et de travail

Utiliser l'équipement de protection. Toujours porter des lunettes de protection pendant le travail avec la machine. Il est recommandé de porter des articles de protection, tels que masque antipoussière, gants de protection, chaussures tenant bien aux pieds et antidérapantes, casque et protection acoustique.

Les poussières qui sont dégagées pendant les travaux sont souvent nocives pour la santé et ne devraient pas pénétrer dans le corps. Porter un masque de protection approprié contre les poussières. Il est interdit de travailler des matériaux dangereux pour la santé (par ex. amiante).

Désactiver immédiatement le dispositif en cas de blocage ! Ne pas réactiver le dispositif avec l'outil bloqué; il y a le risque de provoquer un contrecoup avec moment de réaction élevé. Établir et éliminer la cause du blocage de l'outil en prêtant attention aux consignes de sécurité.

Avant tous travaux sur l'appareil retirer l'accu interchangeable. Ne pas jeter les accus interchangeables usés au feu ou avec les déchets ménagers. Milwaukee offre un système d'évacuation écologique des accus usés.

Ne pas conserver les accus interchangeables avec des objets métalliques (risque de court-circuit)

En cas de conditions ou températures extrêmes, du liquide caustique peut s'échapper d'un accu interchangeable endommagé. En cas de contact avec le liquide caustique de la batterie, laver immédiatement avec de l'eau et du savon. En cas de contact avec les yeux, rincer soigneusement avec de l'eau et consulter immédiatement un médecin.

Pour réduire le risque d'incendie, de blessures corporelles et de dommages cau-sés par un court-circuit, ne jamais immerger l'outil, le bloc-piles ou le chargeur dans un liquide ou laisser couler un fluide à l'intérieur de celui-ci. Les fluides corrosifs ou conducteurs, tels que l'eau de mer, certains produits chimiques industriels, les produits de blanchiment ou de blanchiment, etc., peuvent provoquer un court-circuit.

Ne charger les accus interchangeables du système M18 qu'avec le chargeur d'accus du système M18. Ne pas charger des accus d'autres systèmes.

Ne pas ouvrir les accus interchangeables et les chargeurs et ne les stocker que dans des locaux secs. Les protéger contre l'humidité.

UTILISATION CONFORME AUX PRESCRIPTIONS

Ce déboucheur est un appareil manuel pour le débouchement de tuyaux de vidange secondaires, par exemple en cuisines, salles de bain et pièces de service.

ACCUS

Recharger les accus avant utilisation après une longue période de non utilisation.

Une température supérieure à 50°C amoindrit la capacité des accus. Eviter les expositions prolongées au soleil ou au chauffage.

Tenir propres les contacts des accus et des chargeurs.

Pour une durée de vie optimale, les accus doivent être chargés à fond après l'utilisation.

Pour une plus longue durée de vie, enlever les batteries du chargeur de batterie quand celles-ci seront chargées.

En cas d'entreposage de la batterie pour plus de 30 jours: Entreposer la batterie à 27°C environ dans un endroit sec. Entreposer la batterie avec une charge d'environ 30% - 50%. Recharger la batterie tous les 6 mois.

TRANSPORT DE BATTERIES LITHIUM-ION

Les batteries lithium-ion sont soumises aux dispositions législatives concernant le transport de produits dangereux.

Le transport de ces batteries devra s'effectuer dans le respect des dispositions et des normes locales, nationales et internationales.

Les utilisateurs peuvent transporter ces batteries sans restrictions.

Le transport commercial de batteries lithium-ion est réglé par les dispositions concernant le transport de produits dangereux. La préparation au transport et le transport devront être effectués uniquement par du personnel formé de façon adéquate. Tout le procédé devra être géré d'une manière professionnelle.

Durant le transport de batteries il faut respecter les consignes suivantes :

S'assurer que les contacts soient protégés et isolés en vue d'éviter des courts-circuits. S'assurer que le groupe de batteries ne puisse pas se déplacer à l'intérieur de son emballage. Des batteries endommagées ou des batteries perdant du liquide ne devront pas être transportées. Pour tout renseignement complémentaire veuillez vous adresser à votre transporteur professionnel.

PROTECTION DE L'ACCU CONTRE LES SURCHARGES

En cas d'une surcharge de l'accu à cause d'une très haute consommation de courant, par exemple suite à des couples extrêmement élevés, un arrêt soudain ou un court-circuit, l'outil électrique vibre pendant 5 secondes, l'indicateur de charge clignote et l'outil électrique se déconnecte automatiquement.

Pour le ré-enclencher, relâcher le poussoir de l'interrupteur, puis enclencher à nouveau l'appareil.

Sous des sollicitations extrêmes, l'accu s'échauffe trop fortement. Dans ce cas, tous les témoins de l'indicateur de charge clignotent jusqu'à ce que l'accu se soit refroidi. Il est possible de continuer à travailler dès que l'indicateur de charge s'est éteint.

Mettre alors l'accu en place dans le chargeur pour le recharger et l'activer.

CONSEILS ULTÉRIEURS D'UTILISATION

Pour une normale utilisation, veuillez vous référer aux figures.

Introduire la vrille dans le tuyau en la déplaçant légèrement en avant et en arrière jusqu'à atteindre l'élimination de l'obstruction.

NOTE : Si l'outil se coince, relâcher tout de suite l'interrupteur.

Comment libérer un déboucheur coincé :

Faire tourner l'outil en arrière et le retirer de quelques centimètres en vue de libérer la vrille.

Désactiver l'outil et attendre son arrêt. Ensuite mettre en marche de nouveau l'outil avec direction de rotation en avant.

ATTENTION ! Un fonctionnement continu de l'outil avec direction de rotation en arrière peut comporter l'endommagement de la vrille et des accessoires.

MONTAGE DE LA VRILLE

Montage de la vrille:

Pour le montage de la vrille se référer aux figures.

AVERTISSEMENT! La vrille est sous pression et lors du montage peut soudainement rebondir en avant, en causant éventuellement des lésions. Porter des lunettes de protection ou des lunettes avec protections latérales en vue de réduire au min. tout risque de lésion.

Toujours porter des gants en cuir.

Enrouler la nouvelle vrille dans la direction de la flèche (voir tambour) dans le tambour interne. Enrouler la vrille complètement dans le tambour interne.

Lire les instructions d'emploi. Utiliser des dispositifs de protection appropriés.

Lors de l'utilisation du déboucheur, il est possible d'entrer en contact avec d'agents chimiques, des bactéries ou d'autres substances corrosives, toxiques ou infectieuses.

Après l'utilisation, laver les mains avec eau chaude et savon.

Toujours utiliser l'insert pour le récipient en vue d'éviter tout dommage à la vrille.

ENTRETIEN

Avant tous travaux sur l'appareil retirer l'accu interchangeable.

Nettoyer la vrille libre à l'aide d'un chiffon et l'insérer de nouveau dans le tambour.

Avant de ranger le déboucheur, extraire complètement la vrille. Nettoyer la vrille et la rouler pas trop serrée.

Utiliser uniquement les accessoires Milwaukee et les pièces détachées Milwaukee. Faire remplacer les composants dont le remplacement n'a pas été décrit, par un des centres de service après-vente Milwaukee (observer la brochure avec les adresses de garantie et de service après-vente).

Si besoin est, une vue éclatée de l'appareil peut être fournie. S'adresser, en indiquant bien le numéro porté sur la plaque signalétique, à votre station de service après-vente (voir liste jointe) ou directement à Techtronic Industries GmbH, Max-Eyth-Straße 10, 71364 Winnenden, Germany.

DÉCLARATION CE DE CONFORMITÉ

Nous déclarons, sous notre responsabilité exclusive, que le produit décrit ici dans les « Caractéristiques techniques » satisfait à toutes les dispositions pertinentes des directives:

2011/65/UE (RoHS), 2006/42/CE, 2014/30/UE

et que les normes harmonisées suivantes ont été appliquées.

EN 62841-1:2015

EN 62841-3-14:2017

EN 55014-1:2017+A11:2020

EN 55014-2:2015

EN IEC 63000:2018



Winnenden. 2020-11-16

Alexander Krug / Managing Director

Autorisé à compiler la documentation technique.

Techtronic Industries GmbH

Max-Eyth-Straße 10, 71364 Winnenden, Germany

SYMBOLES



ATTENTION! AVERTISSEMENT! DANGER!



Veuillez lire avec soin le mode d'emploi avant la mise en service



Toujours porter des lunettes protectrices en travaillant avec la machine.



Toujours porter des gants de protection, de préférence en cuir!



Danger de blessures!

Ne jamais transporter le tambour comme un sac à dos!



Danger de blessures!

Avant de la mise en marche, le tambour doit être fermé!



Avant tous travaux sur l'appareil retirer l'accu interchangeable.



Accessoires - Ces pièces ne font pas partie de la livraison. Il s'agit là de compléments recommandés pour votre machine et énumérés dans le catalogue des accessoires.



Les dispositifs électriques, les batteries et les batteries rechargeables ne sont pas à éliminer dans les déchets ménagers. Les dispositifs électriques et les batteries sont à collecter séparément et à remettre à un centre de recyclage en vue de leur élimination dans le respect de l'environnement. S'adresser aux autorités locales ou au détaillant spécialisé en vue de connaître l'emplacement des centres de recyclage et des points de collecte.

n₀

Vitesse de rotation à vide

V

Tension



Courant continu



Marque de conformité européenne



Marque de conformité britannique





Marque de conformité ukrainienne



Marque de conformité d'Eurasie



Dati tecnici Sturatore	M18 FFSDC		
Numero di serie	4609 36 02... ... 000001-999999		
Tensione batteria	18 V		
Numero di giri a vuoto	0 - 250 min ⁻¹		
Lunghezza spirale	15 m		
Grandezza spirale	10 mm	13 mm	16 mm
Diametro tubo	50 - 75 mm	50 - 100 mm	32 - 75 mm
Peso secondo la procedura EPTA 01/2014 (Li-Ion 5,0 Ah)	18,85 kg	23,65 kg	20,45 kg
 Peso	11,0 kg	15,8 kg	12,6 kg
 Peso	7,1 kg		
Temperatura ambiente consigliata per il funzionamento	-18°C ... +50°C		
Batterie consigliate	M18B...		
Caricatori consigliati	M12-18...		
Informazioni sulla rumorosità			
Valori misurati conformemente alla norma EN 62841. La misurazione A del livello di pressione acustica dell'utensile è di solito di:			
Livello di rumorosità (Incertezza della misura K=3dB(A))	72,4 dB (A)		
Potenza della rumorosità (Incertezza della misura K=3dB(A))	83,4 dB (A)		
Utilizzare le protezioni per l'udito!			



AVVERTENZA! Leggere tutte le avvertenze di sicurezza, le istruzioni, le illustrazioni e i dati forniti a corredo dell'apparecchio. In caso di mancato rispetto delle avvertenze di pericolo e delle istruzioni operative si potrà creare il pericolo di scosse elettriche, incendi e/o incidenti gravi. **Conservare tutte le avvertenze di pericolo e le istruzioni operative per ogni esigenza futura.**

INDICAZIONI DI SICUREZZA PER STURATORI

Toccare la spirale rotante soltanto con i guanti consigliati dal produttore. Guanti di lattice, guanti non ben aderenti o stracci potrebbero attorcigliarsi intorno alla spirale e causare lesioni gravi.

Accertarsi che la punta della spirale non si inceppi mentre la spirale gira. In caso contrario la spirale potrebbe subire un sovraccarico, torcersi eccessivamente, piegarsi ad angolo vivo o rompersi causando lesioni gravi.

Se il tubo di scarico potrebbe contenere prodotti chimici, batteri o altre sostanze tossiche e/o agenti patogeni, indossare sotto i guanti di protezione consigliati dal produttore dei guanti di lattice o di gomma oltre agli occhiali di protezione, protezione per il viso, indumenti di protezione e maschera respiratoria. Le tubature possono contenere prodotti chimici, batteri o altre sostanze che potrebbero essere tossiche, patogene o che potrebbero causare ustioni o altre lesioni gravi.

Rispettare le norme in materia di igiene. Non mangiare e non fumare mentre si sta usando l'apparecchio. Dopo aver manipolato o utilizzato dispositivi per la pulizia di tubature, lavare sempre le mani ed altre parti del corpo entrate in contatto con il contenuto delle tubature con acqua calda e sapone. In questo modo si evitano rischi per la salute dovuti al contatto con sostanze tossiche o patogene.

Lo sturatore deve essere utilizzato esclusivamente per i tubi della dimensione indicata. Utilizzando uno sturatore della dimensione errata è possibile che la spirale si torca, si pieghi ad angolo vivo o si rompa, con il rischio di lesioni.

Controllare la spirale prima dell'uso per constatare eventuali tracce di usura o danni. Se la spirale è consumata o danneggiata, deve essere sostituita prima dell'uso dello sturatore.

Non torcere, non piegare ad angolo vivo e comunque non piegare eccessivamente la spirale. Se la spirale dovesse spezzarsi, potrebbe causare lesioni gravi.

Ispezionare il tubo da pulire prima di utilizzare l'apparecchio. Stabilire nei limiti del possibile il/i punti di accesso, il diametro e la lunghezza del tubo nonché la distanza dalle condutture principali, il tipo di ostruzione e la presenza di agenti per la pulizia di tubi o di altri prodotti chimici. Qualora nel tubo di scarico si dovessero trovare agenti chimici, occorre prendere opportune misure di sicurezza. Contattare il produttore dell'agente chimico per ottenere le necessarie informazioni.

Coprire l'area di lavoro se necessario. Durante la pulizia dei tubi di scarico può essere liberata molta sporcizia.

Accertarsi che la spirale sia completamente arrotolata. In questo modo si evita che al momento dell'accensione la spirale si muova a frusta.

Accertarsi che lo sturatore possa essere posizionato ad una distanza max. di 15 cm dall'apertura del tubo. In caso contrario occorre fissare sull'apertura del tubo una prolunga creata con un pezzo di tubo di diametro simile. Un inserimento della spirale effettuato in maniera non corretta può causare la torsione, la piegatura ad angolo vivo o la rottura della spirale.

Posizionare lo sturatore ad una distanza max. di 15 cm dall'apertura del tubo. In caso di distanza maggiore, sarebbe difficile controllare la spirale la quale che potrebbe torcersi, piegarsi ad angolo vivo o spezzarsi.

La spirale e l'interruttore ON/OFF devono essere controllati dalla stessa persona.

Ad eccezione della situazione menzionata in queste istruzioni la spirale non deve mai essere fatta girare all'indietro. Facendo girare la spirale all'indietro, questa potrebbe essere danneggiata; questa manovra serve esclusivamente per estrarre la spirale da una zona intasata.

Non rimuovere etichette e targhette. Le targhette contengono informazioni importanti. Qualora queste targhette informative non fossero più leggibili o mancanti, si prega di contattare il servizio clienti di MILWAUKEE per ottenere una sostituzione gratuita.

Ulteriori avvisi di sicurezza e di lavoro

Usare dispositivi di protezione. Durante il lavoro con la macchina bisogna sempre portare occhiali di protezione. Si consiglia di indossare indumenti di protezione come maschera antipolvere, guanti di protezione, scarpe antiscivolo robuste, casco e cuffie di protezione acustica.

La polvere che si produce durante il lavoro è spesso dannosa per la salute e non dovrebbe essere aspirata. Portare un'adeguata mascherina protettiva.

E' vietato lavorare materiali che possono costituire pericoli alla salute (ad es. amianto).

Spegnerne immediatamente il dispositivo in caso di bloccaggio! Non riaccendere il dispositivo fino a quando l'utensile ad inserto resta bloccato; esiste il rischio di causare un contraccolpo con elevato momento di reazione. Rilevare ed eliminare la causa del bloccaggio dell'utensile ad inserto tenendo conto delle indicazioni di sicurezza.

Prima di iniziare togliere la batteria dalla apparecchiatura.

Non gettare le batterie esaurite sul fuoco o nella spazzatura di casa. La Milwaukee offre infatti un servizio di recupero batterie usate.

Nel vano d'innesto per la batteria del caricatore non devono entrare parti metalliche. (pericolo di cortocircuito).

Nel caso di batterie danneggiate da un carico eccessivo o da temperature alte, l'acido di queste potrebbe fuoriuscire. In caso di contatto con l'acido delle batterie lavarsi immediatamente con acqua e sapone. In caso di contatto con gli occhi risciacquare immediatamente con acqua per almeno 10 minuti e contattare subito un medico.

Per ridurre il rischio d'incendio, di lesioni o di danni al prodotto causati da corto circuito, non immergere mai l'utensile, la batteria ricaricabile o il carica batterie in un liquido e non lasciare mai penetrare alcun liquido all'interno dei dispositivi e delle batterie. I fluidi corrosivi o conduttori come acqua salata, alcuni agenti chimici, agenti candeggianti o prodotti contenenti agenti candeggianti potrebbero provocare un corto circuito.

Le batterie del System M18 sono ricaricabili esclusivamente con i caricatori del System M18. Le batterie di altri sistemi non possono essere ricaricate.

Non aprire nè la batteria nè il caricatore e conservarli solo in luogo asciutto. Proteggerli dalla umidità.

UTILIZZO CONFORME

Questo sturatore è un apparecchio manuale per la pulizia di tubi di scarico secondari, ad esempio in cucine, bagni e vani di servizio.

BATTERIE

Batterie non utilizzate per molto tempo devono essere ricaricate prima dell'uso.

A temperature superiori ai 50°C, la potenza della batteria si riduce. Evitare di esporre l'accumulatore a surriscaldamento prolungato, dovuto ad esempio ai raggi del sole o ad un impianto di riscaldamento.

Per una ottimale vita utile è necessario ricaricare completamente le batterie dopo l'uso.

Per una più lunga durata, rimuovere le batterie dal caricabatterie quando saranno cariche.

In caso di immagazzinaggio della batteria per più di 30 giorni: Immagazzinare la batteria a circa 27°C in ambiente asciutto. Immagazzinare la batteria con carica di circa il 30% - 50%. Ricaricare la batteria ogni 6 mesi.

TRASPORTO DI BATTERIE AGLI IONI DI LITIO

Le batterie agli ioni di litio sono soggette alle disposizioni di legge sul trasporto di merce pericolosa.

Il trasporto di queste batterie deve avvenire rispettando le disposizioni e norme locali, nazionali ed internazionali.

Gli utilizzatori possono trasportare queste batterie su strada senza alcuna restrizione.

Il trasporto commerciale di batterie agli ioni di litio è regolato dalle disposizioni sul trasporto di merce pericolosa. Le preparazioni al trasporto ed il trasporto stesso devono essere svolti esclusivamente da persone idoneamente istruite. Tutto il processo deve essere gestito in maniera professionale.

Durante il trasporto di batterie occorre tenere conto di quanto segue:

Assicurarsi che i contatti siano protetti ed isolati per evitare corto circuiti. Accertarsi che il gruppo di batterie non possa spostarsi all'interno dell'imballaggio. Batterie danneggiate o batterie che perdono liquido non devono essere trasportate. Per ulteriori informazioni si prega di contattare il proprio trasportatore.

DISPOSITIVO ANTISOVRACCARICO ACCUMULATORE

In caso di sovraccarico dell'accumulatore dovuto ad un consumo molto elevato di corrente, ad es. momenti di coppia estremamente elevati, arresto improvviso o corto circuito, l'utensile elettrico vibra per 5 secondi, il display di carica lampeggia e l'elettrotensile si spegne automaticamente.

Per riaccenderlo rilasciare l'interruttore e poi riaccenderlo.

Se sottoposto a sollecitazioni estreme l'accumulatore si riscalda eccessivamente. In questo caso lampeggiano tutte le spie del display di carica finché l'accumulatore non è raffreddato. Quando il display di carica si spegne si può continuare a lavorare.

Inserire l'accumulatore nell'apparecchio carica-batterie per ricaricarlo e attivarlo.

ULTERIORI CONSIGLI D'USO

Per l'uso normale si prega di fare riferimento alle figure.

Inserire la spirale nel tubo muovendola leggermente in avanti ed indietro fino a quando l'ostruzione non sarà eliminata.

NOTA: Se l'utensile si incastra, rilasciare subito l'interruttore.

Come liberare uno sturatore incastrato:

Far girare l'utensile all'indietro e tirarlo indietro per alcuni centimetri per liberare la spirale.

Spegnerne l'utensile ed attendere che si arresti. Poi accendere nuovamente l'utensile con direzione di rotazione in avanti.

ATTENZIONE! Un continuato funzionamento dell'utensile con direzione di rotazione all'indietro può comportare il danneggiamento della spirale e degli accessori.

MONTAGGIO DELLA SPIRALE

Montaggio della spirale:

Per il montaggio della spirale fare riferimento alle figure.

AVVERTENZA! La spirale è sotto pressione e durante il montaggio può improvvisamente rimbalzare in avanti, causando eventualmente delle lesioni. Indossare occhiali di protezione o occhiali con protezioni laterali per ridurre al minimo ogni rischio di lesione.

Indossare sempre guanti in pelle.

Avvolgere la nuova spirale nella direzione della freccia (vedi tamburo) nel tamburo interno. Avvolgere la spirale completamente nel tamburo interno.

Leggere le istruzioni per l'uso. Utilizzare idonei dispositivi di protezione.

Durante l'uso dello sturatore è possibile entrare in contatto con agenti chimici, batteri o altre sostanze corrosive, tossiche o infettive.

Dopo l'uso lavare le mani con acqua calda e sapone.



Usare sempre l'inserto per contenitore onde evitare danni alla spirale.

MANUTENZIONE

Prima di iniziare togliere la batteria dall'apparecchio.

Pulire la spirale libera con un panno ed inserirla nuovamente nel tamburo.

Prima di immagazzinare lo sturatore, estrarre completamente la spirale. Pulire la spirale ed arrotolarla non troppo stretta.

Usare solo accessori Milwaukee e pezzi di ricambio Milwaukee. Gruppi costruttivi la cui sostituzione non è stata descritta, devono essere fatti cambiare da un punto di servizio di assistenza tecnica al cliente Milwaukee (vedi depliant garanzia/indirizzi assistenza tecnica ai clienti).

In caso di mancanza del disegno esploso, può essere richiesto al seguente indirizzo: Techtronic Industries GmbH, Max-Eyth-Straße 10, 71364 Winnenden, Germany.

DICHIARAZIONE DI CONFORMITÀ CE

Assumendone la piena responsabilità, dichiariamo che il prodotto descritto nei "Dati tecnici" è conforme alle pertinenti disposizioni delle direttive:

2011/65/UE (RoHS), 2006/42/CE, 2014/30/UE

e che sono state applicate le seguenti norme armonizzate

EN 62841-1:2015

EN 62841-3-14:2017

EN 55014-1:2017+A11:2020

EN 55014-2:2015

EN IEC 63000:2018



Winnenden. 2020-11-16

Alexander Krug / Managing Director

Autorizzato alla preparazione della documentazione tecnica

Techtronic Industries GmbH

Max-Eyth-Straße 10, 71364 Winnenden, Germany

SIMBOLI



ATTENZIONE! AVVERTENZA! PERICOLO!



Leggere attentamente le istruzioni per l'uso prima di mettere in funzione l'elettro utensile.



Durante l'uso dell'apparecchio utilizzare sempre gli occhiali di protezione.



Indossare sempre guanti di protezione, preferibilmente in pelle!



Pericolo di lesioni!
Non trasportare mai il tamburo come zaino!



Pericolo di lesioni!
Prima di iniziare, il tamburo deve essere chiuso!



Prima di iniziare togliere la batteria dall'apparecchio.



Accessorio - Non incluso nella dotazione standard, disponibile a parte come accessorio.



I dispositivi elettrici, le batterie e le batterie ricaricabili non devono essere smaltiti con i rifiuti domestici. I dispositivi elettrici e le batterie devono essere raccolti separatamente e devono essere conferiti ad un centro di riciclaggio per lo smaltimento rispettoso dell'ambiente. Chiedere alle autorità locali o al rivenditore specializzato dove si trovano i centri di riciclaggio e i punti di raccolta.

n₀ Numero di giri a vuoto

V Volt



Corrente continua

Marchio di conformità europeo

Marchio di conformità britannico

Marchio di conformità ucraino

Marchio di conformità euroasiatico

Datos técnicos		M18 FFSDC		
Limpiador de tubos				
Número de producción	4609 36 02... ... 000001-999999			
Voltaje de batería	18 V			
Velocidad en vacío	0 - 250 min ⁻¹			
Longitud de la espiral	15 m			
Tamaño de la espiral	10 mm	13 mm	16 mm	
Diámetro del tubo	50 - 75 mm	50 - 100 mm	32 - 75 mm	
Peso de acuerdo con el procedimiento EPTA 01/2014 (Li-Ion 5,0 Ah)	18,85 kg	23,65 kg	20,45 kg	
 Peso	11,0 kg	15,8 kg	12,6 kg	
 Peso	7,1 kg			
Temperatura ambiente recomendada para la operación	-18°C ... +50°C			
Juegos de baterías recomendados	M18B...			
Cargadores recomendados	M12-18...			
Información sobre ruidos				
Determinación de los valores de medición según norma EN 62841. El nivel de ruido típico del aparato determinado con un filtro A corresponde a:				
Presión acústica (Tolerancia K=3dB(A))	72,4 dB (A)			
Resonancia acústica (Tolerancia K=3dB(A))	83,4 dB (A)			
Usar protectores auditivos!				



⚠ ADVERTENCIA! Lea las indicaciones de seguridad, instrucciones, descripciones y datos que se incluyen en el aparato. En caso de no atenderse a las advertencias de peligro e instrucciones siguientes, ello puede ocasionar una descarga eléctrica, un incendio y/o lesión grave. **Guardar todas las advertencias de peligro e instrucciones para futuras consultas.**

⚠ INSTRUCCIONES DE SEGURIDAD PARA LIMPIADORES DE TUBOS

Agarre la espiral giratoria solo con los guantes recomendados por el fabricante. Los guantes de látex o aquellos que quedan holgados, así como los paños pueden enredarse alrededor de la espiral y provocar lesiones graves.

Mientras que la espiral esté girando, asegúrese de que la punta de la espiral no se enganche. De lo contrario, la espiral se puede sobrecargar y torcerse de forma excesiva, doblarse o romperse, lo cual puede provocar lesiones graves.

Si el tubo de desagüe a limpiar contiene sustancias químicas, bacterias u otras sustancias tóxicas o agentes infecciosos, use dentro de los guantes de protección recomendados por el fabricante guantes de látex o de goma, así como gafas protectoras, protectores faciales, ropa de protección y máscara de protección respiratoria. Las tuberías pueden contener sustancias químicas, bacterias u otras sustancias, que pueden ser tóxicas o infecciosas y provocar quemaduras u otras lesiones graves.

Respete las normas de higiene. No coma ni fume mientras use el dispositivo. Después de manejar o usar dispositivos de limpieza de tubos siempre se deben limpiar con agua caliente y jabón las manos y aquellas partes del cuerpo que han estado en contacto con el contenido del tubo. De esta forma reducirá los riesgos para la salud debidos al contacto con sustancias tóxicas o infecciosas.

El limpiador de tubos solo se debe utilizar para tubos de los tamaños indicados. El uso de un limpiador de tubos de un tamaño incorrecto puede provocar que la espiral se tuerza, doble o rompa o que se produzcan lesiones.

Antes de su uso, compruebe que la espiral no presenta marcas de desgaste o daños. Sustituya toda espiral desgastada o dañada antes de usar el limpiador de tubos.

No torcer, doblar o curvar de forma excesiva la espiral. La rotura de la espiral puede provocar lesiones graves.

Inspeccione el tubo a limpiar antes de usar el dispositivo. Defina en la medida de lo posible el/los punto(s) de acceso, diámetro y longitud del tubo, así como la distancia a la red principal de tuberías, el tipo de obstrucción y la existencia de agentes de limpieza de tubos o de otras sustancias químicas. Si existen sustancias químicas en el tubo de desagüe, se deberán tomar las medidas de seguridad correspondientes. Póngase en contacto con el fabricante de la sustancia química para recibir las informaciones necesarias.

En caso necesario, cubra el área de trabajo para protegerla. La limpieza de tubos de desagüe puede convertirse en un asunto sucio.

Asegúrese de que la espiral esté completamente enrollada. De esta forma evitará el golpe seco de la espiral cuando se activa.

Asegúrese de que es posible colocar el limpiador de tubos a una distancia de como máximo 15 cm de la apertura del tubo. De lo contrario será necesario extender la apertura del tubo con un accesorio de tubo adecuado de un diámetro similar. La inserción incorrecta de la espiral puede provocar que la espiral se tuerza, doble o rompa.

Coloque el limpiador de tubos a una distancia de como máximo 15 cm de la apertura del tubo. Si la distancia es mayor, resultará difícil controlar la espiral y esta se podrá torcer, doblar o romper.

El manejo de la espiral y del disparador de activación y desactivación debe ser realizado por la misma persona.

Salvo en los casos mencionados en estas instrucciones, no se debe girar la espiral hacia atrás. El giro hacia atrás puede provocar daños a la espiral y solo se realiza para extraer la espiral en caso de obstrucción del tubo.

No retirar las etiquetas ni las placas de características.

Estas placas contienen informaciones importantes. Si faltan estas placas indicativas o dejan de ser legibles, póngase en contacto con

el servicio de atención al cliente de MILWAUKEE para recibir un intercambio de forma gratuita.

Instrucciones adicionales de seguridad y laborales

Utilice el equipamiento de protección. Mientras trabaje con la máquina lleve siempre gafas protectoras. Se recomienda utilizar ropa de protección como máscara protectora contra el polvo, guantes protectores, calzado resistente y antideslizante, casco y protección para los oídos.

El polvo que se produce durante estos trabajos puede ser nocivo a la salud; es por ello aconsejable que no penetre al cuerpo. Utilice por ello una máscara protectora contra polvo.

No se deben trabajar materiales que conlleven un riesgo para la salud (por ej. amianto).

¡En caso de que se bloquee el útil, el aparato se debe desconectar inmediatamente! No vuelva a conectar el aparato, mientras el útil esté bloqueado; se podría producir un rechazo debido a la reacción de retroceso brusca. Averigüe y elimine la causa del bloqueo del útil, teniendo en cuenta las indicaciones de seguridad.

Retire la batería antes de comenzar cualquier trabajo el aparato.

No tire las baterías usadas a la basura ni al fuego. Los Distribuidores Milwaukee ofrecen un servicio de recogida de baterías antiguas para proteger el medio ambiente.

No almacene la batería con objetos metálicos (riesgo de cortocircuito).

En caso de sobrecarga o alta temperatura, pueden llegar a producirse escapes de ácido provenientes de la batería. En caso de contacto con éste, limpie inmediatamente la zona con agua y jabón. Si el contacto es en los ojos, límpiese concienzudamente con agua durante 10 minutos y acuda inmediatamente a un médico

Para reducir el riesgo de incendio, lesión personales y daños al producto debido a un cortocircuito, no sumerja nunca la herramienta, el pa-quete de baterías o el cargador en líquido ni permita que fluya un fluido dentro de ellos. Los fluidos corrosivos o conductivos, como el agua de mar, ciertos productos químicos industriales y blanqueadores o lejías que contienen, etc., Pueden causar un cortocircuito.

Recargar solamente los acumuladores del Sistema M18 en cargadores M18. No intentar recargar acumuladores de otros sistemas.

No abra nunca las baterías ni los cargadores y guárdelos sólo en lugares secos. Protéjalos de la humedad en todo momento.

APLICACIÓN DE ACUERDO A LA FINALIDAD

Este limpiador de tubos es un dispositivo manual para la limpieza de tubos secundarios de desagüe, por ejemplo, en cocinas, cuartos de baño o de servicio.

BATERÍA

Las baterías no utilizadas durante cierto tiempo deben ser recargadas antes de usar.

Las temperaturas superiores a 50°C reducen el rendimiento de la batería. Evite una exposición excesiva a fuentes de calor o al sol (riesgo de sobrecalentamiento).

Los puntos de contacto de los cargadores y las baterías se deben mantener limpios.

Para un tiempo óptimo de vida, deberán cargarse las baterías completamente después de su uso.

Para garantizar la máxima capacidad y vida útil, las baterías recargables se deberían retirar del cargador una vez finalizada la carga.

En caso de almacenar la batería recargable más de 30 días: Almacenar la batería recargable en un lugar seco a una temperatura de aproximadamente 27°C. Almacenar la batería recargable con un estado de carga del 30% y 50% aproximadamente. Recargar la batería cada 6 meses.

TRANSPORTE DE BATERÍAS DE IONES DE LITIO

Las baterías de iones de litio caen bajo las disposiciones legales relativas al transporte de mercancías peligrosas.

El transporte de estas baterías recargables debe llevarse a cabo, observando las normas y disposiciones locales, nacionales e internacionales.

Los consumidores pueden transportar estas baterías recargables sin el menor reparo en la calle.

El transporte comercial de baterías recargables de iones de litio por empresas de transportes está sometido a las disposiciones del transporte de mercancías peligrosas. Las preparaciones para el envío y el transporte deben ser llevados a cabo exclusivamente por personas instruidas adecuadamente. El proceso completo debe ser supervisado por personal competente.

Los siguientes puntos se deben observar para el transporte de las baterías recargables:

Se debe asegurar que los contactos estén protegidos y aislados para evitar que se produzcan cortocircuitos. Preste atención a que el conjunto de baterías recargables no se pueda desplazar dentro del envase. Las baterías recargables deterioradas o derramadas no se deben transportar. Rogamos que para cualquier información adicional se dirija a su empresa de transportes.

PROTECCIÓN CONTRA SOBRECARGA DE LA BATERÍA

En caso de sobrecarga de la batería a causa de un consumo de corriente demasiado elevado, por ejemplo, en momentos de torsión extremadamente altos, de una parada o cortocircuito repentinos; el aparato eléctrico vibra durante 5 segundos, el indicador de carga parpadea y el aparato eléctrico se desconecta automáticamente. Para conectarlo de nuevo, soltar el botón de encendido y después conectarlo otra vez.

Bajo cargas extremas la batería se calienta demasiado. En este caso, todas las luces del indicador de carga parpadean hasta que la batería se enfría. Cuando se apaga el indicador de carga se puede trabajar de nuevo.

Meta entonces la batería en el cargador para recargarla otra vez y activarla.

CONSEJOS ADICIONALES PARA EL USO

Tenga en cuenta lo representado en las imágenes para el uso correcto del dispositivo.

Inserte la espiral en el tubo con un ligero movimiento hacia delante y hacia atrás.

INDICACIÓN: Si se bloquea la herramienta, soltar inmediatamente el disparador.

Cómo liberar un limpiador de tubos bloqueado:

Tirar hacia atrás la herramienta varios centímetros en sentido de giro hacia atrás para liberar la espiral.

Desactivar la herramienta y esperar hasta que se pare por completo. A continuación, volver a activar la herramienta en sentido de giro hacia delante.

¡CUIDADO! El funcionamiento continuado de la herramienta en sentido de giro hacia delante puede provocar daños en la espiral y los accesorios.

MONTAR LA ESPIRAL

Montar la espiral:

Tenga en cuenta lo representado en las imágenes para montar la espiral.

¡ADVERTENCIA! La espiral está montada a presión y durante el montaje puede salir disparada, lo cual puede provocar lesiones. Utilice unas gafas protectoras o unas gafas con protección lateral para reducir al máximo el riesgo de lesiones.

Utilice siempre guantes de cuero.

Enrolle la nueva espiral en el sentido de la flecha (visible en el tambor) en el tambor interior. Enrolle la nueva espiral completamente en el tambor interior.

Lea el manual de instrucciones. Utilice un equipo de protección adecuado.

Al usar el limpiador de tubos puede entrar en contacto con sustancias químicas, bacterias u otras sustancias corrosivas, tóxicas o infecciosas.

Después de usar, lavarse las manos con agua caliente y jabón.

Utilice siempre el elemento de inserción del contenedor para evitar que se dañe la espiral.

MANTENIMIENTO

Retire la batería antes de comenzar cualquier trabajo el aparato.

Passar un trapo y limpiar el cable expuesto y volver a introducirlo en el tambor.

Antes de guardar el limpiador de tubos, extraer el cable por completo. Limpiar el cable y enrollarlo dejándolo ligeramente suelto. Utilice solamente accesorios y repuestos Milwaukee. En caso de necesitar reemplazar componentes no descritos, contacte con cualquiera de nuestras estaciones de servicio Milwaukee (consultar lista de servicio técnicos)

En caso necesario, puede solicitar un despiece de la herramienta. Por favor indique el número de impreso que hay en la etiqueta y pida el despiece a la siguiente dirección: Techtronic Industries GmbH, Max-Eyth-Straße 10, 71364 Winnenden, Germany.

DECLARACION DE CONFORMIDAD CE

Declaramos bajo nuestra única responsabilidad que el producto descrito bajo „Datos técnicos“ cumple todas las disposiciones pertinentes de las directivas:

2011/65/UE (RoHS), 2006/42/CE, 2014/30/UE

y que se han implementado y estándares

EN 62841-1:2015

EN 62841-3-14:2017

EN 55014-1:2017+A11:2020

EN 55014-2:2015

EN IEC 63000:2018



Winnenden. 2020-11-16

Alexander Krug / Managing Director

Autorizado para la redacción de los documentos técnicos.

Techtronic Industries GmbH

Max-Eyth-Straße 10, 71364 Winnenden, Germany

SÍMBOLOS



¡ATENCIÓN! ¡ADVERTENCIA! ¡PELIGRO!



Lea las instrucciones detenidamente antes de conectar la herramienta



Para trabajar con la máquina, utilizar siempre gafas de protección.



¡Utilice siempre guantes de protección, preferentemente de cuero!



¡Riesgo de lesiones!
¡No lleve nunca el tambor a modo de mochila!



¡Riesgo de lesiones!
¡Se debe cerrar el tambor antes de arrancarlo!



Retire la batería antes de comenzar cualquier trabajo el aparato.



Accesorio - No incluido en el equipo estándar, disponible en la gama de accesorios.



Los electrodomésticos y las baterías/acumuladores no se deben eliminar junto con la basura doméstica. Los aparatos eléctricos y los acumuladores se deben recoger por separado y se deben entregar a una empresa de reciclaje para una eliminación respetuosa con el medio ambiente. Infórmese en las autoridades locales o en su tienda especializada sobre los centros de reciclaje y puntos de recogida.

n_0 Velocidad en vacío

V Voltios

— — — Corriente continua



CE Marcado de conformidad europeo

UK CA Marcado de conformidad británico

001 Marcado de conformidad ucraniano

EAC Marcado de conformidad euroasiático



Características técnicas limpador de tubos		M18 FFSDC		
Número de produção	4609 36 02... ... 000001-999999			
Tensão do acumulador	18 V			
Velocidade em vazio	0 - 250 min ⁻¹			
Comprimento da espiral	15 m			
Tamanho da espiral	10 mm	13 mm	16 mm	
Diâmetro do tubo	50 - 75 mm	50 - 100 mm	32 - 75 mm	
Peso nos termos do procedimento-EPTA 01/2014 (Li-Ion 5,0 Ah)	18,85 kg	23,65 kg	20,45 kg	
 Peso	11,0 kg	15,8 kg	12,6 kg	
 Peso	7,1 kg			
Temperatura ambiente recomendada para a operação	-18°C ... +50°C			
Conjuntos de baterias recomendados	M18B...			
Carregadores recomendados	M12-18...			
Informações sobre ruído				
Valores de medida de acordo com EN 62841. O nível de ruído avaliado A do aparelho é tipicamente:				
Nível da pressão de ruído (Incertez K=3dB(A))	72,4 dB (A)			
Nível da potência de ruído (Incertez K=3dB(A))	83,4 dB (A)			
Use protectores auriculares!				



Por

⚠ ATENÇÃO! Ler todas as indicações de segurança, instruções, representações e dados fornecidos juntamente com o aparelho. O desrespeito das advertências e instruções apresentadas abaixo pode causar choque eléctrico, incêndio e/ou graves lesões. **Guarde bem todas as advertências e instruções para futura referência.**

⚠ INSTRUÇÕES DE SEGURANÇA PARA LIMPADORES DE TUBOS

Só toque na espiral em rotação com as luvas recomendadas pelo fabricante. Luvas de látex ou soltas ou panos podem enrolar-se na espiral e causar feridas graves.

Assegure-se de que a ponta da espiral não fique emperrada enquanto a espiral girar. Caso contrário, a espiral poderia ser sobrecarregada e torcer-se demasiadamente, dobrar-se ou quebrar, o que poderia causar feridas graves.

Use luvas de látex ou de borracha dentro das luvas recomendadas pelo fabricante, óculos de proteção, uma proteção do rosto, roupas de proteção e máscaras respiratórias, quando for provável que produtos químicos, bactérias ou outra substâncias tóxicas ou infetantes estejam na tubulação. Os tubos podem conter produtos químicos, bactérias e outras substâncias que podem causar queimaduras, ser tóxicos ou infetantes ou causar outras feridas pessoais graves.

Observe as instruções de higiene. Não coma ou fume ao manejar ou usar a ferramenta. Depois de manejar ou usar o equipamento de limpeza de tubos, use água quente e sabonete para lavar as mãos e outras partes do corpo expostas aos conteúdos do tubo. Isso ajuda a reduzir o risco de saúde devido à exposição a materiais tóxicos ou infetantes.

Só use o limpador de tubos para o tamanho de tubos recomendado. A utilização de um limpador de tubos de tamanho errado pode levar ao torcer, dobrar ou quebrar da espiral e causar feridas pessoais.

Antes do uso, verifique se a espiral está desgastada ou danificada. Substitua uma espiral desgastada ou danificada antes de usar o limpador de tubos.

Não torça, dobre ou estique demasiadamente a espiral. A ruptura da espiral pode causar feridas graves.

Verifique o tubo a limpar antes do uso. Caso possível, determine o(s) ponto(s) de acesso no tubo, o(s) tamanho(s) e comprimento(s) do tubo, a distâncias às linhas principais, o tipo de bloqueio, a presença de produtos de limpeza químicos ou de outras substâncias químicas, etc. Se houver substâncias no tubo, tome as medidas de proteção correspondentes. Contate o fabricante das substâncias químicas para obter as informações necessárias.

Caso necessário, cubra a área de trabalho. A limpeza de tubos de esgoto pode ser um trabalho sujo.

Assegure-se de que a espiral esteja inteiramente enrolada. Isso evita que ela chicoteie ao ligar o aparelho.

Determine se o limpador de tubos pode ser posicionado dentro de uma distância máxima de 15 cm da abertura do tubo. Caso contrário, a abertura do tubo terá de ser prolongada com um tubo apropriado de diâmetro correspondente. Uma guia incorreta da espiral pode torcer, dobrar ou quebrar a espiral.

Coloque o limpador de tubos em uma distância máxima de 15 cm da abertura do tubo. Distâncias maiores podem causar problemas de controle e torcer, dobrar ou quebrar a espiral.

O interruptor e a espiral devem ser comandados por uma só pessoa.

Com exceção das situações descritas no presente manual, a espiral não deve ser girada para trás. A rotação para trás pode danificar a espiral e só se destina a retirar a espiral para fora em caso de entupimento do tubo.

Não remova as etiquetas e as placas de identificação. Elas contêm informações importantes. Se estas placas estiverem ilegíveis ou faltarem, contate a assistência técnica da MILWAUKEE para que sejam substituídas.

Instruções de segurança e trabalho suplementares

Utilizar equipamento de protecção. Durante os trabalhos com a máquina, usar sempre óculos de protecção. Vestuário de protecção, bem como máscara de pó, sapatos fechados e antiderrapante, capacete e protecção auditiva são recomendados.

Português

O pó que resulta ao trabalhar pode ser nocivo para a saúde, por isso não devendo penetrar no corpo. Use uma máscara de protecção contra pó apropriada.

Não devem ser processados materiais que representem um perigo para a saúde (p. ex. asbesto).

Desligue o aparelho imediatamente, quando a ferramenta de inserção bloquear! Não ligue o aparelho novamente durante o bloqueio da ferramenta de inserção, pois isso pode levar a um recuo repentino com uma alta força reactiva. Verifique e elimine a causa do bloqueio da ferramenta de inserção, observando as instruções de segurança.

Antes de efectuar qualquer intervenção o aparelho retirar o bloco acumulador.

Não queimar acumuladores gastos nem deitá-los no lixo doméstico. A Milwaukee possui uma eliminação de acumuladores gastos que respeita o meio ambiente.

Não guardar acumuladores junto com objectos metálicos (perigo de curto-circuito).

Em caso de cargas ou temperaturas extremas, um acumulador de substituição danificado poderá verter líquido de bateria. Se entrar em contacto com este líquido, deverá lavar-se imediatamente com água e sabão. Em caso de contacto com os olhos, enxagúe-os bem e de imediato durante pelo menos 10 minutos e consulte um médico o mais depressa possível.

Para evitar o risco de incêndio, de feridas ou de danificação do produto causado por um curto-circuito, não imerja a bateria intercambiável ou o carregador em líquidos e assegure-se de que líquidos não penetrem nos aparelhos ou nas baterias. Líquidos corrosivos ou condutivos como água salgada, determinadas substâncias químicas ou produtos que contenham branqueadores podem causar um curto-circuito.

Use apenas carregadores do Sistema M18 para recarregar os acumuladores do Sistema M18. Não utilize acumuladores de outros sistemas.

Carregadores só devem ser utilizados em recintos secos.

UTILIZAÇÃO AUTORIZADA

O limpador de tubos é um aparelho manual para limpar tubos de esgotos secundários, por exemplo em cozinhas, casas de banho e despensas.

ACUMULADOR

Acumuladores não utilizados durante algum tempo devem ser recarregados antes da sua utilização.

Temperaturas acima de 50°C reduzem a capacidade do bloco acumulador. Evitar exposição prolongada ao sol ou a caloríferos. Manter limpos os contactos eléctricos no carregador e no bloco acumulador.

Para uma vida útil óptima das baterias, terá que carregá-las plenamente após a sua utilização.

Para assegurar uma vida útil longa, o pacote de bateria deve ser removido da carregadora depois do carregamento.

Se o pacote de bateria for armazenado por mais de 30 dias: Armazene o pacote de bateria com aprox. 27°C em um lugar seco. Armazene o pacote de bateria com aprox. 30%-50% da carga completa. Carregue o pacote de bateria novamente de 6 em 6 meses.

TRANSPORTE DE BATERIAS DE IÃO-LÍTRIO

Baterias de ião-lítio estão sujeitas às disposições da legislação relativa às substâncias perigosas.

O transporte destas baterias deve ser efectuado de acordo com as disposições e os regulamentos locais, nacionais e internacionais.

O utilizador pode efectuar o transporte rodoviário destas baterias sem restrições.

O transporte comercial de baterias de ião-lítio por terceiros está sujeito aos regulamentos relativos às substâncias perigosas. A preparação do transporte e o transporte devem ser executados exclusivamente por pessoas instruídas e o processo deve ser acompanhado pelos especialistas correspondentes.

Observe o seguinte no transporte de baterias:

Assegure-se de que os contactos terminais estejam protegidos e isolados para evitar um curto-circuito. Assegure-se de que o bloco da bateria esteja protegido contra movimentos na embalagem. Não transporte baterias danificadas ou que tenham fuga. Para instruções mais detalhadas consulte a companhia de transportes

PROTECÇÃO DE SOBRECARGA DE BATERIA

No caso de sobrecarga da bateria devido a um consumo de corrente demasiado elevado, por exemplo um binário de rotação extremamente elevado, uma paragem repentina ou um curto-circuito, a ferramenta eléctrica vibra durante 5 segundos, o indicador de carregamento de bateria começa a piscar e a ferramenta eléctrica desliga-se automaticamente.

Para a ligar novamente, desligar e voltar a ligar o interruptor. Sob condições extremas, a bateria aquece demasiado. Nesse caso, todas as luzes do indicador de carregamento de bateria piscam até que esta arrefeça. Após as luzes do indicador de carregamento de bateria se apagarem, pode-se continuar a trabalhar.

Voltar então a colocar o acumulador no carregador para o carregar de novo e para assim o activar.

DICAS SUPLEMENTARES PARA A UTILIZAÇÃO

Para a utilização normal veja as figuras.

Insira a espiral no tubo com um movimento para a frente e para trás suave, até o entupimento estiver removido.

NOTA: Se a ferramenta ficar emperrada, solte o interruptor imediatamente.

Para soltar o limpador de tubos:

Puxe a ferramenta alguns centímetros para trás para liberar a espiral.

Desligue e aguarde a parada da ferramenta, a seguir, comute novamente para a direcção para a frente.

CUIDADO! A operação contínua da ferramenta na direcção para trás pode danificar a espiral e os acessórios.

MONTAGEM DA ESPIRAL

Montagem da espiral:

Para a montagem da espiral veja as figuras.

AVISO! A espiral está sob pressão e pode desenrolar-se inesperadamente durante a instalação e causar feridas. Para reduzir o risco de ferir-se, use luvas de segurança ou óculos com protecção lateral. Sempre use luvas de couro.

Enrole a espiral nova no tambor interno na direcção da seta mostrada no tambor interno. Enrole o cabo inteiramente no tambor interno.

Leia o manual de instruções. Use um equipamento de protecção adequado.

Durante a utilização do limpador de tubos é possível que entre em contacto com substâncias químicas, bactérias ou outras substâncias cáusticas, tóxicas ou infecciosas.

Após a utilização, lave as mãos com água morna e sabonete.

Sempre use a inserção do reservatório para evitar que a espiral seja danificada.



Por

MANUTENÇÃO

Antes de efectuar qualquer intervenção o aparelho retirar o bloco acumulador.

Limpe a espiral exposta com um pano e insira-a novamente no tambor.

Extraia a espiral completamente antes de armazenar o limpador de tubos. Limpe e enrole a espiral, de forma solta.

Utilizar apenas acessórios Milwaukee e peças sobresselentes Milwaukee. Os componentes cuja substituição não esteja descrita devem ser substituídos num serviço de assistência técnica Milwaukee (consultar a brochura relativa à garantia/moradas dos serviços de assistência técnica).

A pedido e mediante indicação da referência que consta da chapa de características da máquina, pode requerer-se um desenho explosivo da ferramenta eléctrica a: Techtronic Industries GmbH, Max-Eyth-Straße 10, 71364 Winnenden, Germany.

DECLARAÇÃO DE CONFORMIDADE CE

Declaramos, sob a nossa inteira responsabilidade, que o produto descrito em «Dados Técnicos» cumpre todas as disposições relevantes das diretivas:

2011/65/UE (RoHS), 2006/42/CE, 2014/30/UE
tendo sido seguidas as seguintes normas harmonizadas
EN 62841-1:2015
EN 62841-3-14:2017
EN 55014-1:2017+A11:2020
EN 55014-2:2015
EN IEC 63000:2018



Winnenden. 2020-11-16

Alexander Krug / Managing Director
Autorizado a reunir a documentação técnica.
Techtronic Industries GmbH
Max-Eyth-Straße 10, 71364 Winnenden, Germany

SYMBOLE



ATENÇÃO! PERIGO!



Leia atentamente o manual de instruções antes de colocar a máquina em funcionamento.



Usar sempre óculos de protecção ao trabalhar com a máquina.



Use luvas! Recomendamos luvas de couro!



Risco de ferir-se!
Nunca carregue o tambor como uma mochila!



Risco de ferir-se!
Antes de iniciar o tambor deve estar fechado!



Antes de efectuar qualquer intervenção o aparelho retirar o bloco acumulador.



Acessório - Não incluído no equipamento normal, disponível como acessório.



Aparelhos eléctricos, baterias/acumuladores não devem ser jogados no lixo doméstico. Os aparelhos eléctricos e as baterias devem ser colectados separadamente e entregues a uma empresa de reciclagem para a eliminação correcta. Solicite informações sobre empresas de reciclagem e postos de colecta de lixo das autoridades locais ou do seu vendedor autorizado.

n_0 Velocidade em vazio

V Volts

Corrente contínua



Marca de Conformidade Europeia





Marca de Conformidade Britânica



Marca de Conformidade Ucraniana



Marca de Conformidade Eurasiática

Technische gegevens		M18 FFSDC		
Leidingreiniger				
Productienummer	4609 36 02... ... 000001-999999			
Spanning wisselakku	18 V			
Onbelast toerental	0 - 250 min ⁻¹			
Lengte spiraal	15 m			
Spiraalmaat	10 mm	13 mm	16 mm	
Leidingdiameter	50 - 75 mm	50 - 100 mm	32 - 75 mm	
Gewicht volgens de EPTA-procedure 01/2014 (Li-Ion 5,0 Ah)	18,85 kg	23,65 kg	20,45 kg	
 Gewicht	11,0 kg	15,8 kg	12,6 kg	
 Gewicht	7,1 kg			
Aanbevolen omgevingstemperatuur voor het bedrijf	-18°C ... +50°C			
Aanbevolen accupacks	M18B...			
Aanbevolen laadtoestellen	M12-18...			
Geluidsinformatie				
Meetwaarden vastgesteld volgens EN 62841. Het kenmerkende A-gewogen geluidsniveau van de machine bedraagt:				
Geluidsdrukniveau (Onzekerheid K=3dB(A))	72,4 dB (A)			
Geluidsvermogensniveau (Onzekerheid K=3dB(A))	83,4 dB (A)			
Draag oorbeschermers!				



⚠ WAARSCHUWING! Lees en bekijk alle veiligheidsaanwijzingen, aanwijzingen, afbeeldingen en gegevens die u bij het apparaat ontvangt. Als de waarschuwingen en voorschriften niet worden opgevolgd, kan dit een elektrische schok, brand of ernstig letsel tot gevolg hebben. **Bewaar alle waarschuwingen en voorschriften voor toekomstig gebruik.**

⚠ VEILIGHEIDSTRUCTURIES VOOR LEIDINGREINIGERS

Pak de draaiende spiraal alleen vast met de door de fabrikant aanbevolen handschoenen. Latex- of loszittende handschoenen resp. doeken kunnen om de spiraal worden gewikkeld en ernstig letsel veroorzaken.

Waarborg dat de spiraalpunt niet blijft haken, zolang de spiraal draait. In het andere geval kan de spiraal overbelast raken en te sterk verdraaien, afknikken of breken, hetgeen tot ernstig letsel kan leiden.

Als de te reinigen afvoerleiding chemicaliën, bacteriën of andere toxische substanties resp. ziektekiemen zou kunnen bevatten, draagt u onder de door de fabrikant aanbevolen veiligheidshandschoenen nog latex- of rubberhandschoenen en bovendien een veiligheidsbril, gezichtsbescherming, veiligheidskleding en een ademhalingsmasker. Pijpleidingen kunnen chemicaliën, bacteriën of andere substanties bevatten die toxisch of ziekteverwekkend zijn en bijtendon of ander ernstig letsel kunnen veroorzaken.

Neem de hygiënevoorschriften in acht. Eet en rook niet terwijl u met het apparaat werkt. Na de omgang met of het gebruik van leidingreinigers dient u uw handen en andere lichaamsdelen die met de inhoud van de leiding in contact zijn gekomen, altijd te wassen met warm water en zeep. Zo vermijdt u gezondheidsrisico's op grond van contact met toxische of ziekteverwekkende stoffen.

De leidingreiniger mag alleen worden gebruikt voor leidingen met de aangegeven afmetingen. Het gebruik van een leidingreiniger van de verkeerde maat kan leiden tot verdraaien, afknikken of breken van de spiraal en zo letsel veroorzaken.

Controleer de spiraal vóór het gebruik op slijtagesporen en schade. Vervang een versleten of beschadigde spiraal vóór het gebruik van een leidingreiniger.

De spiraal niet verdraaien, afknikken of te sterk buigen. Het breken van de spiraal kan ernstig letsel veroorzaken.

Inspecteer de te reinigen leiding voordat u het apparaat gebruikt. Bepaal, voor zover dit mogelijk is, het/de toegangspunt(en), de diameter en de lengte van de pijpleiding en de afstand tot de hoofdleidingen, de reden voor de verstopping en het voorhanden zijn van ontstoppers of andere chemicaliën. Indien zich chemicaliën in de afvoerleiding bevinden, moeten dienovereenkomstige veiligheidsmaatregelen worden getroffen. Neem contact op met de fabrikant van het chemische middel om de vereisten informatie in te winnen.

Dek het werkbereik zo nodig af. De reiniging van afvoerleidingen kan een smerige aangelegenheid zijn.

Waarborg dat de spiraal volledig is afgewikkeld. Zo voorkomt u dat de spiraal zweeppachtig begint te slaan als u het apparaat inschakelt.

Waarborg dat de leidingopening op een afstand van maximaal 15 cm van de leidingopening kan worden geplaatst. In het andere geval moet de toegang naar de leidingopening overbrugd worden met een geschikt leidingstuk met een vergelijkbare diameter. De ondeskundige toevoer van de spiraal kan leiden tot verdraaien, afknikken of breken van de spiraal.

Positioneer de leidingreiniger op een afstand van maximaal 15 cm van de leidingopening. Bij een grotere afstand kan de spiraal slecht worden gecontroleerd en kan ze verdraaien, afknikken of breken.

Spiraal en AAN-/UIT-schakelaar moeten door één en dezelfde persoon worden bediend.

Met uitzondering van de in deze handleiding beschreven situaties mag de spiraal niet achteruit worden gedraaid. Het achteruitdraaien kan leiden tot schade aan de spiraal en is alleen bedoeld om de spiraal in geval van een verstopte leiding weer terug te trekken.

Etiketten en typeplaatjes mogen niet worden verwijderd. Deze plaatjes bevatten belangrijke informatie. Als deze

informatieplaatjes niet meer leesbaar zijn of ontbreken, kunt u voor kosteloze vervanging contact opnemen met de technische dienst van MILWAUKEE.

Verdere veiligheids- en werkinstructies

Draag veiligheidsuitrusting. Bij werkzaamheden met de machine dient u altijd een veiligheidsbril te dragen. Veiligheidskleding zoals stofmasker, veiligheidshandschoenen, stevig en slipvast schoeisel, helm en gehoorbescherming worden aanbevolen.

Het gedurende het werken vrijkomende stof is doorgaans schadelijk voor de gezondheid en mag niet met het lichaam in aanraking komen. Draag derhalve een geschikt stofbeschermsmasker.

Het is niet toegestaan, materialen te bewerken waarvan een gezondheidsgevaar uitgaat (bijv. asbest).

Schakel het apparaat onmiddellijk uit als het gereedschap blokkeert! Schakel het apparaat niet in zolang het gereedschap geblokkeerd is; dit zou een terugslag met een hoog reactiemoment kunnen veroorzaken. Achterhaal en verhelp de oorzaak voor de blokkering van het gereedschap met inachtneming van de veiligheidsinstructies.

Voor alle werkzaamheden aan de apparat de accu verwijderen.

Verbruikte accu's niet in het vuur of bij het huisvuil werpen. Milwaukee biedt namelijk een milieuvriendelijke recyclingmethode voor uw oude accu's.

Wisselaccu's niet bij metalen voorwerpen bewaren (kortsluitingsgevaar!).

Onder extreme belasting of extreme temperaturen kan uit de accu accu-vloeistof lopen. Na contact met accu-vloeistof direct afwassen met water en zeep. Bij oogcontact direct minstens 10 minuten grondig spoelen en onmiddellijk een arts raadplegen.

Voorkom brand, persoonlijk letsel of materiële schade door kortsluiting en dompel het gereedschap, de wisselaccu en het laadtoestel niet onder in vloeistoffen en waarborg dat geen vloeistoffen in de apparaten en accu's kunnen dringen. Corrosieve of geleidende vloeistoffen zoals zout water, bepaalde chemicaliën, bleekmiddelen of producten die bleekmiddelen bevatten, kunnen een kortsluiting veroorzaken.

Wisselaccu's van het Akku-Systeem M18 alléén met laadapparaten van het Akku-Systeem M18 laden. Geen accu's van andere systemen laden.

Wisselaccu's en laadapparaten niet openen en alleen in droge ruimtes opslaan. Tegen vocht beschermen.

VOORGESCHREVEN GEBRUIK VAN HET SYSTEEM

Deze leidingreiniger is een handapparaat voor de reiniging van secundaire afvoerleidingen, bijv. in keukens, badkamers en andere huishoudruimten.

AKKU

Langere tijd niet toegepaste wisselaccu's vóór gebruik altijd naladen.

Een temperatuur boven de 50°C vermindert de capaciteit van de accu. Langdurige verwarming door zon of hitte vermijden.

De aansluitcontacten aan het laadapparaat en de accu schoonhouden.

Voor een optimale levensduur moeten de accu's na het gebruik volledig opgeladen worden.

Voor een zo lang mogelijke levensduur van de accu's dienen deze na het opladen uit het laadtoestel te worden verwijderd.

Bij een langere opslag van de accu dan 30 dagen: accu bij ca. 27°C droog bewaren. accu bij ca. 30% - 50% van de laadtoestand bewaren. accu om de 6 maanden opnieuw opladen.

TRANSPORT VAN LITHIUM-IONEN-ACCU'S

Lithium-ionen-accu's vallen onder de wettelijke bepalingen inzake het transport van gevaarlijke goederen.

Voor het transport van deze accu's moeten de lokale, nationale en internationale voorschriften en bepalingen in acht worden genomen.

Verbruikers mogen deze accu's zonder meer over de weg transporteren.

Het commerciële transport van lithium-ionen-accu's door expeditiebedrijven is onderhevig aan de bepalingen inzake het transport van gevaarlijke goederen. De verzendingsvoorbereidingen en het transport mogen uitsluitend worden uitgevoerd door dienovereenkomstig opgeleide personen. Het complete proces moet vakkundig worden begeleid.

Onderstaande punten moeten bij het transport van accu's in acht worden genomen:

Waarborg ter vermindering van kortsluitingen dat de contacten beschermd en geïsoleerd zijn. Let op dat het accupack in de verpakking niet kan verschuiven. Beschadigde of lekkende accu's mogen niet worden getransporteerd. Neem voor meer informatie contact op met uw expeditiebedrijf.

OVERBELASTINGSBEVEILIGING VAN DE ACCU

Bij overbelasting van de accu door zeer hoog stroomverbruik, bijv. extreem hoge draaimomenten, plotseling stoppen of kortsluiting, vibreert het elektrische gereedschap gedurende 5 seconden, de laadweergave knippert en het elektrische gereedschap schakelt automatisch uit.

Om het gereedschap weer in te schakelen, moet u de drukschakelaar loslaten en vervolgens weer inschakelen.

Onder extreme belastingen wordt de accu te heet. In dit geval knipperen alle lampen van de laadweergave totdat de accu afgekoeld is. Na het doven van de laadweergave kunt u weer verder werken.

Steek de accu in het laadtoestel om hem weer op te laden en te activeren.

AANVULLENDE TIPS VOOR HET GEBRUIK

Neem voor normaal gebruik de afbeelding in acht.

Voer de spiraal met een lichte vooruit- en achteruitbeweging in de leiding totdat de verstopping verwijderd is.

OPMERKING: laat de schakelaar onmiddellijk los zodra het gereedschap blokkeert.

Loshalen van een geblokkeerde leidingreiniger: Trek het gereedschap in achterwaartse draairichting een paar centimeter terug om de spiraal los te kunnen halen.

Schakel het gereedschap uit en wacht totdat het stil staat.

Schakel vervolgens opnieuw de voorwaartse draairichting van het gereedschap in.

VOORZICHTIG! Het voortdurende bedrijf van het gereedschap met achterwaartse draairichting kan leiden tot schade aan de spiraal en de accessoires.

SPIRAAL MONTEREN

Spiraal monteren:

Neem voor de montage de afbeeldingen in acht.

WAARSCHUWING! De spiraal staat onder druk en kan bij de montage plotseling naar voren schieten, hetgeen letsel kan veroorzaken. Draag een veiligheidsbril of een bril met zijbescherming om het gevaar voor letsel zo gering mogelijk te houden.

Draag altijd leren handschoenen.

Rol de nieuwe spiraal in pijlrichting (zie trommel) op in de inwendige trommel. Rol de nieuwe spiraal volledig op in de inwendige trommel.

Lees de gebruiksaanwijzing. Draag geschikte veiligheidsuitrusting. Bij gebruik van de spiraal kunt u in contact komen met chemicaliën, bacteriën of andere bijtende, toxische of infectueuze substanties. Reinig uw handen na gebruik met warm water en zeep. Gebruik altijd het inzetstuk voor de bak om te vermijden dat de spiraal beschadigd raakt.

ONDERHOUD

Voor alle werkzaamheden aan de apparat de accu verwijderen. De vrijliggende spiraal met een doek afvegen en weer in de trommel schuiven.

Vóór de opslag van de leidingreiniger moet de spiraal volledig worden uitgetrokken. Reinig de spiraal en rol hem losjes op. Gebruik uitsluitend Milwaukee toebehoren en onderdelen. Indien componenten die moeten worden vervangen niet zijn beschreven, neem dan contact op met een officieel Milwaukee servicecentrum (zie onze lijst met servicecentra).

Onder vermelding van het nummer op het machineplaatje is desgewenst een doorsnedetekening van de machine verkrijgbaar bij: Techtronic Industries GmbH, Max-Eyth-Straße 10, 71364 Winnenden, Germany.

EC - VERKLARING VAN OVEREENSTEMMING

We verklaren geheel onder eigen verantwoordelijkheid dat het product in de "Technische data" voldoet aan alle relevante bepalingen van de richtlijnen:

2011/65/EU (RoHS), 2006/42/EG, 2014/30/EU
 en de volgende geharmoniseerde normen zijn gebruikt.
 EN 62841-1:2015
 EN 62841-3-14:2017
 EN 55014-1:2017+A11:2020
 EN 55014-2:2015
 EN IEC 63000:2018



Winnenden. 2020-11-16

Alexander Krug / Managing Director
 Gemachtigd voor samenstelling van de technische documenten
 Techtronic Industries GmbH
 Max-Eyth-Straße 10, 71364 Winnenden, Germany

SYMBOLEN



OPGELET! WAARSCHUWING! GEVAAR!



Graag instructies zorgvuldig doorlezen vóórdat u de machine in gebruik neemt.



Bij het werken met de machine altijd een veiligheidsbril dragen.



Draag altijd veiligheidshandschoenen – bij voorkeur van leer!



Gevaar voor letsel!
 Draag de trommel nooit als rugzak!



Gevaar voor letsel!
 De trommel moet vóór het starten gesloten zijn!



Voor alle werkzaamheden aan de apparat de accu verwijderen.



Toebehoren - Wordt niet meegeleverd. Is apart leverbaar. Zie hiervoor het toebehorenprogramma.



Elektrische apparaten, batterijen en accu's mogen niet via het huisafval worden afgevoerd. Elektrische apparaten en accu's moeten gescheiden worden verzameld en voor een milieuvriendelijke afvoer worden afgegeven bij een recyclingbedrijf. Informeer bij uw gemeente of bij uw vakhandelaar naar recyclingbedrijven en inzamelpunten.

n₀ Onbelast toerental

V V ~

≡≡≡ Gelijkstroom



Europees symbool van overeenstemming



Brits symbool van overeenstemming





Oekraïens symbool van overeenstemming



Euro-Aziatisch symbool van overeenstemming



Tekniske data		M18 FFSDC		
Rørrenser				
Produktionsnummer		4609 36 02... ... 000001-999999		
Udskiftningsbatteriets spænding		18 V		
Omdrejningstal, ubelastet		0 - 250 min ⁻¹		
Længde spiral		15 m		
Spiralstørrelse		10 mm	13 mm	16 mm
Rørdiameter		50 - 75 mm	50 - 100 mm	32 - 75 mm
Vægt svarer til EPTA-procedure 01/2014 (Li-Ion 5,0 Ah)		18,85 kg	23,65 kg	20,45 kg
 Vægt		11,0 kg	15,8 kg	12,6 kg
 Vægt		7,1 kg		
Anbefalet omgivelsestemperatur til driften		-18°C ... +50°C		
Anbefalede batteripakker		M18B...		
Anbefalede opladere		M12-18...		
Støjinformation				
Måleværdier beregnes iht. EN 62841. Værktøjets A-vurderede støjniveau er typisk:				
Lydtrykniveau (Usikkerhed K=3dB(A))		72,4 dB (A)		
Lydeffekt niveau (Usikkerhed K=3dB(A))		83,4 dB (A)		
Brug høreværn!				



⚠ ADVARSEL! Læs alle sikkerhedsanvisninger, anvisninger, instruktioner og data, der følger med enheden. I tilfælde af manglende overholdelse af advarselshenvisningerne og instrukserne er der risiko for elektrisk stød, brand og/eller alvorlige kvæstelser. **Opbevar alle advarselshenvisninger og instrukser til senere brug.**

⚠ SIKKERHEDSOPLYSNINGER FOR RØRRENSUDSTYR

Tag kun fat i den drejende spiral med de af producenten anbefalede hndsker. Latexhandsker og hhv. løst siddende handsker og klude kan vikke sig rundt om spiralen og forårsage alvorlige kvæstelser.

Kontrollér, at spiralspiden ikke sætter sig fast, så længe spiralen drejer sig. I modsat fald kan spiralen blive overbelastet og fordreje sig for meget, knække eller brække af, hvilket kan medføre alvorlige kvæstelser.

Hvis det afløbsrør, som skal renses, kunne indeholde kemikalier, bakterier eller andre toksiske substanser eller smitstoffer, skal du bruge de under producenten anbefalede beskyttelseshandsker anførte latex- eller gummihandsker samt beskyttelsesbriller, ansigtsværn, beskyttelsestøj eller åndedrætsmaske. Rørledninger kan indeholde kemikalier, bakterier og andre substanser, som kan være toksiske eller smit-somme og fremkalde ætsninger eller andre alvorlige kvæstelser.

Overhold hygiejneforskrifterne. Undlad at spise og ryge, mens du bruger maskinen. Efter håndtering eller brug af rørensudstyr skal hænderne og andre kropsele, som er kommet i berøring med rørdholdet, altid vaskes med varmt vand og sæbe. På den måde undgås sundhedsrisici på grund af kontakt med toksiske eller smitsomme stoffer.

Rørensudstyr må kun bruges til rør i de angivne størrelser. Brug af rørensudstyr i den forkerte størrelse kan medføre, at spiralen fordrejes, knækker eller brækker af, samt medføre kvæstelser.

Kontrollér spiralen for slitagespor og beskadigelser, inden den bruges. Udskift en slidt eller beskadiget spiral inden brug af rørensudstyr.

Spiralen må ikke fordrejes, knækkes eller bøjes for meget. Hvis spiralen brækker af, kan dette medføre alvorlige kvæstelser.

Inspicér det rør, som skal renses, inden maskinen bruges. Bestem for så vidt muligt rørdledningens adgangspunkt(er), diameter og længde samt afstanden til hovedledningerne, arten af tilstoppele og tilstedeværelsen af rørrengøringsmidler eller andre kemikalier. Hvis der befinder sig kemikalier i afløbsrøret, skal der tages tilsvarende sikkerhedsforanstaltninger. Kontakt kemikalienes producent for at få de nødvendige oplysninger.

Afskærm ved behov arbejdsområdet. Rengøringen af afløbsrør kan være et snavset foretagende.

Kontroller, at spiralen er viklet fuldstændigt op. På den måde undgår du pisklignende slag fra spiralen, når maskinen tændes.

Kontrollér, at rørensudstyret kan placeres i en afstand på maks. 15 cm fra rørråbningen. I modsat fald skal adgangen til rørråbningen omgås med etegnet rørstyrke af lignende diameter. En ukorrekt spiraltilførsel kan medføre, at spiralen fordrejes, knækker eller brækker af.

Placér rørensudstyret i en afstand på maks. 15 cm fra rørråbningen. Ved en større afstand kan spiralen kun kontrolleres dårligt og kan derfor fordrejes, knække eller brække.

Spiralen og tænd-/sluk-knappen skal betjenes af en og samme person.

Med undtagelse af de i nærværende vejledning nævnte situationer må spiralen ikke drejes tilbage. Tilbage drejningen kan medføre en beskadigelse af spiralen og tjener blot til at trække spiralen ud igen ved en rørtilstoppelse.

Undlad at fjerne mærkater og typeskilte. Disse skilte indeholder vigtige informationer. Hvis oplysningsskiltene ikke længere er læselige eller mangler, bedes du kontakte MILWAUKEE-kundeservice for at få en gratis reservedel.

Yderligere sikkerheds- og arbejdsinformationer

Brug beskyttelsesudstyr. Bær altid sikkerhedsbriller, når du arbejder med maskinen. Vi anbefaler desuden brug af personlig beskyttelsesudrustning, såsom støvmaske, sikkerhedshandsker, fast og skridsikkert skotøj, hjelm og høreværn.

Støv, som opstår under arbejdet, er ofte sundhedsfarligt og bør ikke trænge ind i kroppen. Benyt egnet åndedrætsværn.

Der må ikke bearbejdes nogen materialer, der kan udgøre en sundhedsrisiko (f.eks. asbest).

Sluk straks for maskinen, hvis indsatsværktøjet er blokeret! Tænd ikke for maskinen igen, så længe indsatsværktøjet er blokeret; dette kan føre til et tilbageslag med højt reaktionsmoment. Find frem til og afhjælp årsagen til indsatsværktøjets blokering under hensyntagen til sikkerhedsinstruktionerne.

Ved arbejde inden i maskinen, bør batteriet tages ud.

Opbrugte udskiftningsbatterier må ikke brændes eller kasseres sammen med alm. husholdningsaffald. Milwaukee har en miljørigtig bortskaffelse af gamle udskiftningsbatterier, henvend Dem til Deres forhandler.

Opbevar ikke udskiftningsbatterier sammen med metalgenstande af fare for kortslutning.

I tilfælde af en ekstrem belastning eller ekstrem temperatur kan der flyde batterivæske ud af et beskadiget batteri. Hvis De kommer i berøring med batterivæsken, skal den vaskes godt og grundigt af med vand og sæbe. I tilfælde af øjenkontakt, skal man mindst skylle øjnene godt og grundigt igennem i 10 minutter og omgående opsøge en læge.

For at undgå risiko for brand, kvæstelser eller beskadigelse af produktet forårsaget af kortslutning må værktøjet, batteripakken eller opladeren ikke nedsænkes i vand. Sørg ligeledes for, at der ikke trænger væske ind i enhederne og batterierne. Korroderende eller ledende væsker, f.eks. saltvand, bestemte kemikalier, blegestoffer eller produkter, som indeholder blegestoffer, kan forårsage kortslutning.

Brug kun M18 ladeapparater for opladning af System M18 batterier. Udskiftningsbatterier og opladere må ikke åbnes og skal opbevares i tørre rum. Beskyt dem mod fugtighed.

TILTÆNKT FORMÅL

Dette rørrenseudstyr er et manuelt udstyr til rensning af sekundære afløbsrør, for eksempel i køkken, badeværelse og bryggers.

BATTERI

Udskiftningsbatterier, der ikke har været brugt i længere tid, efterlades inden brug.

Ved temperaturer over 50°C formindskes batteriets effekt. Undgå direkte sollys og stærk varme.

Tilslutningskontakterne på oplader og udskiftningsbatterier skal holdes rene.

For at opnå en optimal levetid skal de genopladelige batterier oplades fuldt efter brug.

For at sikre en så lang levetid som muligt skal batterierne tages ud af ladeaggregatet efter opladning.

Skal batterierne opbevares længere end 30 dage: Temperatur ca. 27°C i tørre omgivelser. Opbevares ved ca. 30%-50% af ladeladestanden. Batteri skal genoplades hver 6. måned.

TRANSPORT AF LITHIUM-BATTERIER

Lithium-batterier er omfattet af lovgivningen om transport af farligt gods.

Transporten af disse batterier skal ske under overholdelse af lokale, nationale og internationale regler og bestemmelser.

Forbrugere må transportere disse batterier på veje uden yderligere krav.

Den kommercielle transport af lithium-batterier ved speditjonsfirmaer er omfattet af reglerne for transport af farligt gods. Forberedelsen af forsendelse og transport må kun udføres af tilsvarende træned personer. Den samlede proces skal følges af fagfolk.

Følgende punkter skal overholdes ved transport af batterier:

Sørg for at kontakterne er beskyttet og isoleret for at forhindre kortslutninger. Sørg for at batteripakken ikke kan bevæge sig inden for emballagen. Beskadigede eller lækkende batterier må ikke transporteres. Kontakt dit speditjonsfirma for at få yderligere oplysninger.

OVERBELASTNINGSSIKRING FOR BATTERI

Overbelastes batteriet på grund af meget højt strømforbrug, f.eks. som følge af ekstremt høje drejningsmomenter, pludseligt stop eller kortslutning, vibrerer el-værktøjet i 5 sekunder, ladeindikatoren blinker, og el-værktøjet slukker af sig selv.

For at tænde igen slippes trykknappen, hvorefter du tænder el-værktøjet igen.

Ved ekstreme belastninger bliver batteriet for varmt. I så fald blinker alle lamper på ladeindikatoren, indtil batteriet er kølet af. Når ladeindikatoren går ud, kan arbejdet genoptages.

Sæt batteriet i ladeadapteren for at genoplade det og aktivere det.

YDERLIGERE RÅD VEDRØRENDE BRUGEN

Bemærk illustrationerne til normal brug.

Før spiralen ind i røret med en let bevægelse frem og tilbage, indtil tilstoppeisen er fjernet.

INFORMATION: Hvis værktøjet blokerer, skal kontakten straks slippes.

Løsning af blokeret rørrenseudstyr:

Træk værktøjet nogle centimeter tilbage ved at dreje den baglæns for at løse spiralen.

Sluk værktøjet og vent, indtil det står stille. Genstart herefter værktøjet ved at dreje det fremad

FORSIGTIG! Den fortsatte drift af værktøjet ved at dreje det baglæns kan føre til en beskadigelse på spiralen og tilbehøret.

MONTERING AF SPIRALEN

Montering af spiralen:

Bemærk illustrationerne vedrørende montering af spiralen.

ADVARSEL! Spirale står under tryk og kan under monteringen pludselig komme frem, hvilket kan medføre kvæstelser. Brug beskyttelsesbriller eller briller med beskyttelse i siden for at holde risikoen for kvæstelser så lille som muligt.

Brug altid læderhandsker.

Vikl den nye spiral i pilretning (se tromle) ind i den indre tromle.

Vikl spiralen helt ind i den indre tromle.

Læs betjeningsvejledningen. Brug egnet beskyttelsesudstyr.

Ved brug af rørrenser kan du komme i berøring med kemikalier, bakterier eller andre ætsende, toksiske eller infektiøse substanser.

Rengør hænderne med varmt vand og sæbe efter brug.

Brug altid beholderindsatsen for at undgå en beskadigelse af spiralen.



VEDLIGEHOLDELSE

Ved arbejde inden i maskinen, bør batteriet tages ud.

Tør den fritliggende spiral af med en klud og skub den tilbage ind i tromlen.

Inden rørensere opbevares, skal spiralen trækkes helt ud. Rengør spiralen og vikl den løst op.

Brug kun Milwaukee-tilbehør og Milwaukee-reservedele. Komponenter, hvor udskiftningsproceduren ikke er beskrevet, skal skiftes ud hos et Milwaukee-servicested (se brochure garanti/kundeserviceadresser).

Ved opgivelse af type nr. der er angivet på maskinens effektskilt, kan de rekvirere en reservedelstegning, ved henvendelse til: Techtronic Industries GmbH, Max-Eyth-Straße 10, 71364 Winnenden, Germany.

CE-KONFORMITETSERKLÆRING

Vi erklærer som eneansvarlige, at produktet, som beskrives under „Tekniske data“, opfylder alle de relevante bestemmelser i direktiverne:

2011/65/EU (RoHS), 2006/42/EF, 2014/30/EU

og følgende harmoniserede standarder er blevet anvendt.

EN 62841-1:2015

EN 62841-3-14:2017

EN 55014-1:2017+A11:2020

EN 55014-2:2015

EN IEC 63000:2018



Winnenden. 2020-11-16

Alexander Krug / Managing Director

Autoriseret til at udarbejde de tekniske dokumenter.

Techtronic Industries GmbH

Max-Eyth-Straße 10, 71364 Winnenden, Germany

SYMBOLER



VIGTIGT! ADVARSEL! FARE!



Læs brugsanvisningen nøje før ibrugtagning.



Når der arbejdes med maskinen, skal man have beskyttelsesbriller på.



Brug altid beskyttelseshandsker – fortrinsvis af læder!



Risiko for personskade!
Bær aldrig trommen på ryggen som en rygsæk!



Risiko for personskade!
Trommen skal være lukket, før den startes!



Ved arbejde inden i maskinen, bør batteriet tages ud.



Tilbehør - Ikke inkluderet i leveringsomfanget, køb købes som tilbehør.



Elektrisk udstyr eller (genopladelige) batterier må ikke bortskaffes sammen med det almindelige husholdningsaffald. Elektrisk udstyr og genopladelige batterier skal indsamles særskilt og afleveres hos en genbrugsvirksomhed til en miljømæssig forsvarlig bortskaffelse. Spørg de lokale myndigheder eller din forhandler om genbrugsstationer og indsamlingssteder til sådant affald.

n₀ Omdrejningstal, ubelastet

V Spænding

== Jævnstrøm



Europæisk konformitetsmærke



Britisk konformitetsmærke





Ukrainsk konformitetsmærke

001



Eurasisk konformitetsmærke

Tekniske data		M18 FFSDC		
Avløpsrensere				
Produksjonsnummer		4609 36 02... ... 000001-999999		
Spenning vekselbatteri		18 V		
Tomgangsturtall		0 - 250 min ⁻¹		
Spiral lengde		15 m		
Spiralstørrelsee		10 mm	13 mm	16 mm
Rørdiameter		50 - 75 mm	50 - 100 mm	32 - 75 mm
Vekt i henhold til EPTA-Prosedyren 01/2014 (Li-Ion 5,0 Ah)		18,85 kg	23,65 kg	20,45 kg
Vekt 		11,0 kg	15,8 kg	12,6 kg
Vekt 		7,1 kg		
Anbefalt omgivelsestemperatur for drift		-18°C ... +50°C		
Anbefalte batteripakker		M18B...		
Anbefalte ladere		M12-18...		
Støyinformasjon				
Måleverdier fastslått i samsvar med EN 62841. Det typiske A-bedømte støynivået for maskinen er:				
Lydtrykknivå (Usikkerhet K=3dB(A))		72,4 dB (A)		
Lydeffektnivå (Usikkerhet K=3dB(A))		83,4 dB (A)		
Bruk hørselsvern!				

⚠ ADVARSEL! Les alle sikkerhetsanvisninger, instruksjer, bildeforklaringer og data som fulgte med maskinen. Feil ved overholdelsen av advarslene og nedenstående anvisninger kan medføre elektriske støt, brann og/eller alvorlige skader. **Ta godt vare på alle advarslene og informasjonene.**

⚠ SIKKERHETSINSTRUKSER FOR AVLØPSRENSER

Den roterende spiralen skal bare tas på med hansker som er anbefalt av produsenten. Latexhansker eller hansker som er for løst sittende hhv. kluter kan vikle seg rundt spiralen og føre til alvorlige skader.

Sørg for at spiralspissen ikke henger seg opp så lenge spiralen roterer. Ellers kan spiralen overlastes og fordreie seg for sterkt, knekke eller brette og dette kan igjen føre til alvorlige skader.

Hvis avløpsrøret som skal rengjøre, kan inneholde kjemikalier, bakterier eller andre giftige substanser hhv. infeksjøs stoffer skal det brukes latex- eller gummihansker under vernehansene som er anbefalt av produsenten og dertil også vernebriller, ansiktsbeskyttelse, verneklær og pustebeskyttelse. Rør kan inneholde kjemikalier, bakterier eller andre substanser som kan være giftige eller infeksjøs og derfor forårsaker etsinger og alvorlige skader.

Ta hensyn til hygiene forskriftene. Ikke spis eller røyke mens du bruker apparatet. Etter omgang med, eller bruk av avløpsrensere skal alltid hendene og andre kroppsdeler som har vært i kontakt med innholdet av røret vaskes med vann og såpe. Slik unngår du helsefarer på grunn av kontakt med giftige eller infeksjøs stoffer.

Avløpsrenseren skal bare brukes for rør i den angitte størrelsen. Bruk av en avløpsrensere som har feil størrelse kan føre til at spiraler fordreier seg, knekker eller brette og slik forårsaker skader.

Kontroller spiralen før hvert bruk på slitasje og skader. Skift ut en slitt eller skadet spiral før bruk av avløpsrenseren.

Spiralen skal ikke fordreies, knekkes eller bøyes for sterkt. Brette spiralen så kan dette føre til alvorlige skader.

Inspiser røret som skal rengjøres før bruken av apparatet. Hvis mulig, finn ut tilgangspunkt(er), diameter og rørets lengde og

også avstanden til hovedrøret, hvilken type forstoppelse det dreier seg om og hvor vidt det er rør rensemiddel eller andre kjemikalier i røret. Hvis det er kjemikalier i avløpsrøret skal det iverksettes nødvendige sikkerhetstiltak. Ta kontakt med produsenten av kjemikalierne for å få nødvendige informasjonene.

Dekk til arbeidsområde hvis nødvendig. Rengjøring av avløpsrør kan føre til mye skitt og smuss.

Forvisse deg om at spiraler er viklet helt opp. Slik unngår du at spiraler slår som en pisk ved påslåing.

Forvisse deg om at avløpsrenseren blir plassert maksimalt 15 cm fra rørets åpning. Hvis dette ikke er mulig, må tilgangen til rørets åpning forlenges med et egnet rør med lignende diameter. Usakkyndig spiraltilførsel kan føre til at spiralen fordreier seg, knekker eller brette.

Posisjoner avløpsrenseren i en avstand av maksimalt 15 cm fra rørets åpning. Ved en større avstand lar spiralen seg heller dårlig kontrollere og kan da fordreie seg, knekke eller brette.

Spiralen og På/av - bryteren skal betjenes av en og den samme person.

Med unntak av de situasjonene som er nevnte i denne bruksanvisningen skal spiralen ikke roteres bakover. Rotasjon bakover kan føre til at spiralen ødelegges og brukes derfor bare for å trekke ut igjen ved en forstoppelse av røret.

Etiketter og typeskild skal ikke fjernes. Disse skiltene inneholder viktige informasjonen. Dersom disse skiltene ikke lengre kan leses eller mangler så ta kontakt med MILWAUKEE-Kundeservice for å få tilsendt gratis nye skilt.

Ytterlige sikkerhets- og arbeidsinstruksjoner

Bruk vernebekledning. Ta alltid på vernebrille ved bruk av maskinen. Vernebekledning så vel som støvmaske, vernehansker, fast og sklisikkert skotøy, hjem og hørselsvern er anbefalt.

Støvet som oppstår ved arbeidet er ofte helsefarlig og skal ikke komme i kontakt med kroppen. Bruk derfor verneemaske som er egnet for støv.

Materialer som er helsefarlig skal ikke bearbeides (f.eks.. asbest)

Slå av apparatet med en gang dersom det isatte verktøyet er blokkert! Ikke slå apparatet på igjen så lenge det isatte verktøyet er



blokkert; her kan det oppstå et tilbakeslag med høyt reaksjonsmoment. Finn ut hvorfor det isatte verktøyet blokkerer og fjern årsaken til dette. Ta herved hensyn til sikkerhets instruksene. Ta ut vekselbatteriet før du arbeider på maskinen. Ikke kast brakte vekselbatterier i varmen eller husholdningsavfallet. Milwaukee tilbyr en miljøriktig deponering av gamle vekselbatterier; vennligst spør din fagforhandler.

Ikke oppbevar vekselbatterier sammen med metallgjenstander (kortslutningsfare).

Under ekstreme belastninger og ekstreme temperaturer kan det lekke ut batterivæske fra utskiftbare batterier. Ved berøring med batterivæske, vask umiddelbart med såpe og vann. Ved kontakt med øynene må øynene skylles grundig i rennende vann i minst 10 minutter. Oppsøk lege umiddelbart.

Før å unngå fare for en brann forårsaket av en kortslutning, av personskader eller skader av produktet, må det forhindres at batteripakken eller laderen dryppes i væsker og også sørges for at ingen væsker kan komme inn i apparatene eller batteriene. Korroderende og ledende væsker som saltvann, visse kjemikalier og blekemidler eller produkt som inneholder blekemidler kan forårsake en kortslutning.

Vekselbatterier av systemet M18 skal kun lades med lader av systemet M18. Ikke lad opp batterier fra andre systemer.

Ikke åpne vekselbatterier og ladere, de skal oppbevares i tørre rom. Beskyttes mot fuktighet.

FORMÅLSMESSIG BRUK

Denne avløpsrensere er et handapparat for rengjøring av sekundær avløpsrør for eksempel i kjøkken, bad og vaskerom.

BATTERIER

Vekselbatterier som ikke er brukt over lengre tid skal etterlades før bruk.

En temperatur over 50°C reduserer vekselbatteriets kapasitet. Unngå oppvarming i sol eller ved varmeovner (fyring) i lengre tid. Hold tilkopplingskontaktene på lader og vekselbatteri rene.

For optimal holdbarhet må batteriene lades opp helt etter bruk.

For å sikre en lengst mulig brukstid av batteriene skal disse etter oppladning taes ut av laderen.

Ved lagring av batteriene lengre enn 30 dager: Lagre batteriet tørt ved ca. 27°C. Lagre batteriet ved en oppladningstilstand på ca. 30%-50%. Lade opp batteriet igjen etter 6 måneder.

TRANSPORT AV LITIUM-ION-BATTERI

Litium-ion-batterier faller under de lovfestede forskriftene om transport av farlig gods.

Transporten av disse batteriene må rette seg etter lokale, nasjonale og internasjonale forskrifter og bestemmelser.

Forbruker har lov å transportere disse batteriene på gaten uten reglementering.

Den kommersielle transport av Litium-ion-batterier av spedisjonsfirma faller under bestemmelsene om transport av farlig gods. Forberedningene av forsendelsen og transport skal utelukkende gjennomføres av personer som har blitt skolert til dette. Hele prosessen skal følges opp av fagfolk.

Følgende punkter skal tas hensyn til ved transport:

Kontroller at kontaktene er beskyttet og isolert for å unngå kortslutninger. Pass på at batteripakken i forpakningen ikke kan skli fram og tilbake. Skadede eller batterier som lekker er det ikke lov å transportere. Ta kontakt med spedisjonsfirma for ytterlige henvisninger.

OVERBELASTNINGSVERN FOR OPPLADBARE BATTERIER

Ved overbelastning av det oppladbare batteriet p.g.a. svært høyt strømforbruk; f.eks. ekstrem høye dreiemoment, plutselig stopp eller kortslutning, vibrert elektroverktøyet 5 sekunder, displayet for opplading blinker og elektroverktøyet utkobler seg automatisk. For gjeninnkobling, slipp løs bryteren og slå så på igjen.

Ved ekstreme belastninger opphører det oppladbare batteriet seg for sterkt. I slike tilfeller blinker alle lampene på displayet til batteriet er avkjølt. Når lampene har sluttet å blinke, kan man fortsette å arbeide.

Sett batteriet da i laderen for å få det oppladet og aktivert igjen

TILLEGGS TIPS FOR BRUK

For normal bruk se illustrasjonen.

Før spiralen med en lett fram og tilbake bevegelse inn i røret til forstoppelsen er fjernet.

HINT: Dersom verktøyet blokkerer, skal bryteren slippes løs med en gang

Å løse fri en blokkert avløpsrensere:

Trekk verktøyet i bakover rotasjon noen centimeter tilbake for å befri spiralen.

Slå av verktøyet og vent til det står stille. Deretter slå verktøyet på igjen i framover rotasjon.

FORSIKTIG! Den fortsatte drift av verktøyet i bakover rotasjon kan føre til skade på spiralen og tilbehøret.

MONTERE SPIRALEN

Montere spiralen:

Se også illustrasjonene for montasje av spiralen.

ADVARSEL! Spiralen står under trykk og kan ved montasje plutselig skyte ut. Dette kan forårsake skader. Bruk vernebriller eller briller med sidebeskyttelse for å holde risikoen for skader så minimal som mulig.

Bruk alltid skinnhansker.

Den nye spiralen skal vikles i pilens retningen. Spiralen skal vikles komplett inn i den indre trommelen.

Les bruksanvisningen. Bruk egnet verneutstyr.

Ved bruk av avløpsrensere kan du komme i kontakt med kjemikalier, bakterier og andre etsende, giftige eller smittsomme substanser.

Vask hendene etter bruk med varmt vann og såpe.

Bruk alltid beholderinnsatsen for å hindre at spiralen blir skadet.

VEDLIKEHOLD

Ta ut vekselbatteriet før du arbeider på maskinen

Tørk av den frittliggende spiralen med en klut og så skyv den inn i trommelen igjen.

Før innlagring av avløpsrensere skal spiralen trekkes helt ut av trommelen. Rengjør spiralen og vikle den løst opp igjen.

Bruk kun Milwaukee tilbehør og Milwaukee reservedeler. Komponenter der utskifting ikke er beskrevet skal skiftes ut hos Milwaukee kundeservice (se brosjyre garanti/kundeserviceadresser).

Ved behov kan du be om en eksplosjonstegning av apparatet hos din kundeservice eller direkte hos Techtronic Industries GmbH, Max-Eyth-Straße 10, 71364 Winnenden, Germany. Oppgi maskintype og det nummeret på typeskiltet.

CE-SAMSVARERKLÆRING

Vi erklærer i alene ansvar at produktet beskrevet i „Teknisk data“ overensstemmer med alle relevante forskrifter til Eu direktiv: 2011/65/EU (RoHS), 2006/42/EC, 2014/30/EU og de følgende harmoniserte normative dokumentene. fyrstikker EN 62841-1:2015
EN 62841-3-14:2017
EN 55014-1:2017+A11:2020
EN 55014-2:2015
EN IEC 63000:2018



Winnenden. 2020-11-16

Alexander Krug / Managing Director
Autorisert til å utarbeide den tekniske dokumentasjonen
Techtronic Industries GmbH
Max-Eyth-Straße 10, 71364 Winnenden, Germany

SYMBOLER



OBS! ADVARSEL! FARE!



Les nøye gjennom bruksanvisningen før maskinen tas i bruk.



Bruk alltid vernebrille når du arbeider med maskinen.



Bruk alltid vernehansker! Skinnhansker anbefales!



Fare for personskade!
Bær aldri trommelen som e ryggsekk!



Fare for personskade!
Før oppstart må trommelen lukkes!



Ta ut vekselbatteriet før du arbeider på maskinen



Tilbehør - inngår ikke i leveransen, anbefalt komplettering fra tilbehørsprogrammet.



Elektriske apparater, batterier/oppladbare batterier skal ikke kastes sammen med vanlig husholdningsavfall. Elektriske og elektroniske apparater og oppladbare batterier skal samles separat og leveres til miljøvennlig deponering hos en avfallsbedrift. Informer deg hos myndighetene på stedet eller hos din fagforhandler hvor det finnes recycling bedrifter og oppsamlingssteder.

n₀ Tomgangsturtall

V Volt

Likestrøm

Europeisk samsvarsmerke



Britisk samsvarsmerke

Ukrainsk samsvarsmerke

Euroasiatisk samsvarsmerke



Nor

Tekniska data Rörrensare		M18 FFSDC		
Produktionsnummer	4609 36 02... ... 000001-999999			
Batterispänning	18 V			
Tomgångsvarvtal, obelastad	0 - 250 min ⁻¹			
Längd spiral	15 m			
Spiralstorlek	10 mm	13 mm	16 mm	
Rördiameter	50 - 75 mm	50 - 100 mm	32 - 75 mm	
Vikt enligt EPTA 01/2014 (Li-Ion 5,0 Ah)	18,85 kg	23,65 kg	20,45 kg	
 Vikt	11,0 kg	15,8 kg	12,6 kg	
 Vikt	7,1 kg			
Rekommenderad omgivningstemperatur för driften	-18°C ... +50°C			
Rekommenderade batterier (Akkupacks)	M18B...			
Rekommenderade laddare	M12-18...			
Bullerinformation				
Mätvärdena har tagits fram baserat på EN 62841. A-värdet av maskinens ljudnivå utgör:				
Ljudtrycksnivå (Onoggrannhet K=3dB(A))	72,4 dB (A)			
Ljudeffektsnivå (Onoggrannhet K=3dB(A))	83,4 dB (A)			
Använd hörselskydd!				



⚠ WARNING! Läs alla säkerhetsanvisningar, instruktioner, beskrivningar och uppgifter som du får tillsammans med apparaten. Fel som uppstår till följd av att anvisningarna nedan inte följts kan orsaka elstöt, brand och/eller allvarliga kroppsskador. **Förvara alla varningar och anvisningar för framtida bruk.**

⚠ SÄKERHETSANVISNINGAR FÖR RÖRRENSARE

Ta bara tag i den roterande spiralen med de handskar som rekommenderas av tillverkaren. Latexhandskar eller löst sittande handskar eller trasor kan lindas upp runt spiralen och orsaka allvarliga personsador.

Säkerställ att spiralspetsen inte hakar fast så länge spiralen roterar. Annars kan spiralen överbelastas och förvridas för mycket, knäckas eller brytas av, vilket kan leda till allvarliga personsador.

Om röret som ska göras rent skulle kunna innehålla kemikalier, bakterier eller andra toxiska substanser resp. infektiösalstrare, ska du under de av tillverkaren rekommenderade skyddshandskarna, använda latex- eller gummihandskar samt skyddsglasögon, ansiktsskydd, skyddskläder och andningsmask. Rörledningar kan innehålla kemikalier, bakterier eller andra substanser som kan vara toxiska eller infektiösalstrande och som kan orsaka frätskador eller andra allvarliga personsador.

Följ hygienföreskrifterna. Rök inte och ät inte medan du använder maskinen. Efter hantering eller användning av rörensare ska man alltid tvätta händerna och andra kroppsdelar som har kommit i kontakt med rörinnehållet med varmt vatten och tvål. Därigenom undviker du hälsorisker på grund av kontakt med toxiska och infektiösalstrande ämnen.

Rörensaren får endast användas för rör med de angivna storlekarna. Att använda en rörensare med fel storlek kan göra att spiralen förvrids, knäckas eller brytas av och kan därmed leda till personsador.

Kontrollera innan användning om spiralen uppvisar förslitningsspår eller skador. Byt ut en slitet eller skadad spiral innan du använder rörensaren.

Förvrid, knäck eller böj inte spiralen överdrivet. Att bryta av spiralen kan leda till allvarliga personsador.

Inspektera röret som ska göras rent innan du använder maskinen. Bestäm i den mån det är möjligt en eller flera åtkomstpunkter, diameter, rörledningens diameter och längd, samt avståndet till huvudledningarna, typen av förstoppning och om det förekommer rörrengöringsmedel eller andra kemikalier. Om det finns kemikalier i avloppsröret ska lämpliga säkerhetsåtgärder vidtas. Kontakta kemikalietillverkaren för att få nödvändig information.

Täck vid behov över arbetsområdet. Att göra rent avloppsrör kan vara ett smutsigt arbete.

Försäkra dig om att spiralen är fullständigt upplindad. På så sätt undviker du att spiralen kan slå som en piska när maskinen startas.

Försäkra dig om att rörensaren kan placeras på ett avstånd på maximalt 15 cm från röröppningen. Annars måste ingången till röröppningen kopplas över med ett lämpligt rörstycke med en liknande diameter. Om man för spiralen på ett felaktigt sätt kan det göra att spiralen förvrids, knäckas eller brytas av.

Placera rörensaren på ett avstånd på maximalt 15 cm från röröppningen. Om det är en större öppning är det svårt att kontrollera spiralen och den kan förvridas, knäckas eller brytas av.

Spiralen och på/av-knappen måste skötas av en och samma person.

Med undantag för de situationer som nämns i den här anvisningen får spiralen aldrig roteras bakåt. Att rotera den bakåt kan leda till att spiralen skadas och får endast göras för att vid en rörförstoppning dra ut spiralen igen.

Ta inte bort dekaler eller typskyltar. Dessa skyltar innehåller viktig information. Om dessa skyltar inte längre är läsbara eller saknas, kontakta MILWAUKEE-kundtjänst för att få nya utan kostnad.

Övriga säkerhets- och användningsinstruktioner

Använd skyddsutrustning. Använd alltid skyddsglasögon när du använder maskinen. Som skyddsutrustning rekommenderar vi t.ex. en dammskyddsmask, skyddshandskar, stabila och halksäkra skor, hjälm och hörselskydd.

Det damm som bildas under arbetets gång är ofta hälsofarligt och det ska inte komma in i kroppen. Bär därför lämplig skyddsmask. Det är inte tillåtet att bearbeta material som kan vara hälsovärdigt (t.ex. asbest).

Stäng av maskinen omedelbart om ett verktyg som används sitter fast! Sätt sedan inte på maskinen igen så länge som verktyget som används fortfarande sitter fast; risk för okontrollerade slag med högt reaktionsmoment. Ta reda på orsaken varför verktyget fastnade och åtgärda orsaken med hänsyn till säkerhetsanvisningarna. Drag ur batteripaket innan arbete utföres på maskinen.

Kasta inte förbrukade batterier. Lämna dem till Milwaukee Tools för återvinning.

Förvara ej batterier ihop med metallföremål, kortslutning kan uppstå.

Under extrem belastning eller extrem temperatur kan batterivätska tränga ut ur skadade utbytesbatterier. Vid beröring med batterivätska tvätta genast av med vatten och tvål. Vid ögonkontakt spola genast i minst 10 minuter och kontakta genast läkare.

För att undvika den fara för brand, personskador eller produktskador som orsakas av en kortslutning, doppa inte ner verktyget, utbytesbatteriet eller laddaren i vätskor och se till att ingen vätska kan tränga in i apparaterna eller batterierna. Korroderande eller ledande vätskor, som saltvatten, vissa kemikalier, blekningsmedel eller produkter som innehåller blekmedel, kan orsaka en kortslutning.

System M18 batterier laddas endast i System M18 laddare. Ladda inte batterier från andra system.

Batterier lagras torrt och skyddas för fukt.

ANVÄND MASKINEN ENLIGT ANVISNINGARNA

Den här rörensaren är en handmaskin för att göra rent sekundära avloppsrör, till exempel i kök, badrum och tvättрум.

BATTERIER

Batteri som ej använts på länge måste laddas före nytt bruk.

En temperatur över 50°C reducerar batteriets effekt. Undvik längre uppvärmning tex i solen eller nära ett element.

Se till att anslutningskontaktarna i laddaren och på batteriet är rena.

För att batterierna ska få lång livslängd ska de laddas fulla efter användning.

För att få en så lång livslängs som möjligt bör laddningsbara batterier avlägsnas från laddaren när de är laddade.

Om laddningsbara batterier lagras längre än 30 dagar: Lagra batteriet torrt och vid ca 27°C. Lagra batteriet vid ca 30%-50% av laddningskapaciteten. Ladda batterierna på nytt var 6:e månad.

TRANSPORTERA LITIJUMJON-BATTERIER

För litiumjon-batterier gäller de lagliga föreskrifterna för transport av farligt gods på väg.

Därför får dessa batterier endast transporteras enligt gällande lokala, nationella och internationella föreskrifter och bestämmelser.

Konsumenterna får transportera dessa batterier på allmän väg utan att behöva beakta särskilda föreskrifter.

För kommersiell transport av litiumjon-batterier genom en speditönsfirma gäller emellertid bestämmelserna för transport av farligt gods på väg. Endast personal som känner till alla tillämpliga föreskrifter och bestämmelser får förbereda och genomföra transporten. Hela processen ska följas upp på fackmässigt sätt.

Följande ska beaktas i samband med transporten av batterier:

Säkerställ att alla kontakter är skyddade och isolerade för att undvika kortslutning. Se till att batteripacken inte kan glida fram och tillbaka i förpackningen. Transportera aldrig batterier som läcker, har runnit ut eller är skadade. För mer information vänligen kontakta din speditönsfirma.

BATTERI-ÖVERBELASTNINGSSKYDD

Om det laddningsbara batteriet överbelastas genom en mycket hög strömförbrukning, t.ex. extremt höga vridmoment, ett plötsligt stopp eller en kortslutning, så vibrerar elverktyget i 5 sekunder, laddningsindikeringen blinkar och elverktyget fränkopplas automatiskt.

För att sedan sätta på elverktyget igen släpper du tryckbrytaren och tillkopplar sedan verktyget igen.

Vid en extrem belastning blir det laddningsbara batteriet för varmt. I detta fall blinkar alla lampor på laddningsindikeringen så länge tills batteriet har svalnat. När laddningsindikeringen har slocknat kan du fortsätta med arbetet.

Sätt då batteriet i laddaren för att ladda upp och aktivera det igen.

FLERA TIPS FÖR ANVÄNDNINGEN

Se bilderna för den normala användningen.

För in spiralen i röret med en lätt framåt- och bakåtriktad rörelse tills förstoppningen har lösts upp.

OBS: Om verktyget blockerar, släpp omedelbart brytaren.

Lossa en blockerad rörensare:

Dra tillbaka verktyget några centimeter med bakåtrotation för att lossa spiralen.

Stäng av verktyget och vänta tills det står stilla. Slå sedan på verktyget igen med framåtrotation.

OBSERVERA! Att fortsätta köra verktyget med bakåtrotation kan leda till att spiralen och tillbehöret skadas.

MONTERA SPIRAL

Montera spiral:

Observera bilderna för montering av spiralen.

WARNING! Spiralen står under tryck och kan vid monteringen plötsligt snäppa ut, vilket kan leda till personskador. Använd skyddsglasögon eller glasögon med sidoskydd för att hålla skaderisken så låg som möjligt.

Bär alltid läderhandskar.

Linda upp den nya spiralen i den inre trumman i pilens riktning (se trumma). Linda upp den spiralen fullständigt i den inre trumman.

Läs bruksanvisningen. Använd en lämplig skyddsutrustning.

När du använder rörensaren kan du komma i kontakt med kemikalier, bakterier eller andra frätande, toxiska eller infektiösa substanser.

Tvätta efter användningen händerna med varmt vatten och tvål.

Använd alltid behållarinsatsen för att undvika att spiralen skadas.



SKÖTSEL

Drag ur batteripaket innan arbete utföres på maskinen.
Torka av den friliggande spiralen med en trasa och skjut tillbaka in den i trumman.

Innan rörensaren läggs undan för förvaring, dra ut spiralen helt.
Gör rent spiralen och linda upp den löst.

Använd endast Milwaukee-tillbehör och Milwaukee-reservdelar. Komponenter, för vilka inget byte beskrivs, skall bytas ut hos Milwaukee-kundtjänst (se broschyren garanti-/kundtjänstadresser). Vid behov av sprängskiss, kan en sådan, genom att uppge maskinens art. nr. (som finns på typskylten) erhållas från: Techtronic Industries GmbH, Max-Eyth-SträÙe 10, 71364 Winnenden, Germany.

CE-FÖRSÄKRAN

Vi tar på vårt ansvar att produkten som har beskrivits under Tekniska data uppfyller alla relevanta villkor i direktiven: 2011/65/EU (RoHS), 2006/42/EG, 2014/30/EU samt att följande harmoniserade standarder har använts.
EN 62841-1:2015
EN 62841-3-14:2017
EN 55014-1:2017+A11:2020
EN 55014-2:2015
EN IEC 63000:2018



Winnenden. 2020-11-16

Alexander Krug / Managing Director
Befullmäktigad att sammanställa teknisk dokumentation.
Techtronic Industries GmbH
Max-Eyth-SträÙe 10, 71364 Winnenden, Germany

SYMBOLER



OBSERVERA! VARNING! FARA!



Läs instruktionen noga innan du startar maskinen.



Använd alltid skyddsglasögon.



Använd alltid skyddshandskar – helst i läder!



Risk att skada sig!
Bär aldrig trumman på ryggen som en ryggösk!



Risk att skada sig!
Trumman ska alltid vara stängd innan starten!



Drag ur batteripaket innan arbete utföres på maskinen.



Tillbehör - Ingår ej i leveransomfånget, erhålles som tillbehör.



Elektriska maskiner, batterier/uppladdningsbara batterier och får inte slängas tillsammans med de vanliga hushållsoporna. Elektriska maskiner och uppladdningsbara batterier ska samlas separat och lämnas till en avfallsstation för miljövänlig avfallshandtering. Kontakta den lokala myndigheten respektive kommunen eller fråga återförsäljare var det finns speciella avfallsstationer för elskrot.

n₀ Tomgångsvarvtal, obelastad

V Volts

== Likström



Europeiskt konformitetsmärke



Britiskt konformitetsmärke





Ukrainskt konformitetsmärke

001



Euroasiatiskt konformitetsmärke

Tekniset arvot Putkenpuhdistuslaite		M18 FFSDC		
Tuotantonumero		4609 36 02... ... 000001-999999		
Jännite vaihtoakku		18 V		
Kuormittamaton kierrosluku		0 - 250 min ⁻¹		
Kierukan pituus		15 m		
Kierukan koko		10 mm	13 mm	16 mm
Putken halkaisija		50 - 75 mm	50 - 100 mm	32 - 75 mm
Paino EPTA-menettylön 01/2014 mukaan (Li-Ion 5,0 Ah)		18,85 kg	23,65 kg	20,45 kg
Paino 		11,0 kg	15,8 kg	12,6 kg
Paino 		7,1 kg		
Suositeltu ympäristön lämpötila käytön aikana		-18°C ... +50°C		
Suositellut akkusarjat		M18B...		
Suositellut latauslaitteet		M12-18...		
Melunpäästötiedot				
Mitta-arvot määritetty EN 62841 mukaan. Koneen tyypillinen A-luokitettu melutaso:				
Melutaso (Epävarmuus K=3dB(A))				
Äänenvoimakkuus (Epävarmuus K=3dB(A))				
Käytä kuulosuojaimia!				
		72,4 dB (A)		
		83,4 dB (A)		



VAROITUS! Lue kaikki varoimenpiteet, ohjeet, kuvalliset esitykset ja tiedot, jotka toimitetaan laitteen mukana. Turvallisuusohjeiden noudattamisen laiminlyönti saattaa johtaa sähköiskuun, tulipaloon ja/tai vakavaan loukkaantumiseen. Säilytä kaikki turvallisuus- ja muut ohjeet tulevaisuutta varten.

PUTKENPUHDISTUSLAITTEIDEN TURVALLISUUSMÄÄRÄYKSET

Tartu pyörivään kierukkaan vain valmistajan suosittelemia käsitteitä käyttäen. Lateksikäsineet, väljät käsineet tai liinat voivat kiertyä kierukan ympärille ja aiheuttaa vaikeita vammoja.

Kierukan kärjen tulee pyöräillä niin kauan kuin itse kierukakin pyörii. Muutoin kierukka saattaa ylikuormittua ja kiertyä liikaa, taittua tai katketa, josta voi aiheutua vaikeita vammoja.

Jos puhdistettavassa viemäriputkessa saattaa olla kemikaaleja, bakteereja tai muita myrkyllisiä aineita tai tulehduksenaiheuttajia, niin käytä valmistajan suosittelemien suojakäsineiden alla lateksi- tai kumikäsineitä sekä lisäksi suojalaseja, kasvonaamaria, suojavaatetusta ja hengitysuojainta. Putkijohdoissa saattaa olla kemikaaleja, bakteereja tai muita aineita, jotka ovat myrkyllisiä tai tulehduksia aiheuttavia ja voivat aiheuttaa syövytysvammoja tai muita vaikeita vammoja.

Noudata hygieniasta annettuja määräyksiä. Älä syö tai tupakoi laitetta käytettäessä. Putkenpuhdistuslaitteiden käsittelyminen tai käytön jälkeen tulee pestä kädet ja muut ruumiinosat, jotka ovat joutuneet kosketuksiin putken sisällön kanssa, aina lämpimällä vedellä ja saippualla. Näin vältät myrkyllisten tai tulehduksia aiheuttavien aineiden koskettamisesta syntyvät terveydelliset riskit.

Putkenpuhdistuslaitetta saa käyttää vain sille määrättyihin putkikokoihin. Vääränkokoisen putkenpuhdistuslaitteen käyttö voi aiheuttaa kierukan liiallisen kiertymisen, taittumisen tai katkeamisen ja aiheuttaa vammoja.

Tarkasta ennen käyttöä, onko kierukassa kulumia tai vaurioita. Vaihda loppuun kulunut tai vahingoittunut kierukka ennen putkenpuhdistuslaitteen käyttöä.

Älä kierrä kierukkaa liikaa, taita sitä tai taivuta sitä liian voimakkaasti. Kierukan katkeaminen voi aiheuttaa vaikeita vammoja.

Tarkasta puhdistettava putki ennen laitteen käyttöä. Määritä, mikäli mahdollista, pääsykohdat, putkijohdon halkaisija ja pituus sekä etäisyys pääjohtoihin, tukkeuman tyyppi sekä onko käytetty putkenpuhdistusaineita tai muita kemikaaleja. Mikäli viemäriputkessa on kemikaaleja, tulee ryhtyä vastaaviin varotoimiin. Ota yhteyttä kemikaalin valmistajaan saadaksesi tarvittavat tiedot.

Peitä työalue tarvittaessa. Viemäriputkien puhdistaminen voi olla likaista työtä.

Varmista, että kierukka on kelattu kokonaan auki laitteesta. Täten estät kierukan piiskaniskut laitteen käynnistyessä.

Varmista, että putkenpuhdistuslaite voidaan asettaa enintään 15 cm:n päähän putken aukosta. Muussa tapauksessa pääsy putken aukkonon tulee kattaa sopivalla, vastaavan kokoisella putkenpalalla. Kierukan virheellinen sisäänvientti voi aiheuttaa kierukan liiallisen kiertymisen, taittumisen tai katkeamisen.

Aseta putkenpuhdistuslaite enintään 15 cm:n päähän putken aukosta. Jos välimatka on suurempi, niin kierukkaa on vaikea hallita ja se voi kiertyä liiaksi, taittua tai katketa.

Samanaikaisesti tulee käyttää kierukkaa ja päälle/pois-katkaisinta.

Muissa kuin tässä ohjeessa mainituissa tilanteissa ei kierukkaa saa pyörittää taaksepäin. Taaksepäinpyöritys voi aiheuttaa kierukan vahingoittumisen ja sitä käytetään vain kierukan vetämiseen takaisin putken tukkeumasta.

Älä poista etikettejä tai tyyppikilpiä. Näissä kilvissä on tärkeitä tietoja. Jos nämä ohjelkivellit eivät enää ole luettavissa tai puuttuvat, ota yhteyttä MILWAUKEE-asiakaspalveluun saadaksesi uudet kilvet maksutta.

Täydentäviä turvallisuusmääräyksiä ja työskentelyohjeita

Käytä suojavarusteita. Käytä aina suojalaseja käytettäessä konetta. Suosittelemme suojavarusteiden käyttöä, näihin kuuluvat pölysuojanaamari, työkäsineet, tukevat, luistamattomat jalkineet, kypärä ja kuulosuojukset.

Koneen käytöstä aiheutuva pöly ja jäte voi olla haitallista terveydelle eikä sen vuoksi tulisi päästä kosketukseen ihon kanssa. Koneella työskennellessä on käytettävä sopivaa suojainta. Terveydellisiä vaaroja aiheuttavien materiaalien (esim. asbestin) työstäminen on kielletty.

Jos käytetty työkalu juuttuu kiinni, sammuta laite heti! Älä kytke laitetta uudelleen päälle työkalun ollessa vielä kiinni juuttuneena, koska tästä saattaa aiheutua voimakas takaisku. Selvitä työkalun juuttumisen syy ja poista syy turvallisuusmääräyksiä noudattaen.

Ota akku pois ennen kaikkia koneeseen tehtäviä toimenpiteitä. Käytettyjä vaihtoakkuja ei saa polttaa eikä poistaa normaalin jätehuollon kautta. Milwaukeella on tarjolla vanhoja vaihtoakkuja varten ympäristöystävällinen jätehuoltopalvelu.

Vaihtoakkuja ei saa säilyttää yhdessä metalliesineiden kanssa (okosulkuvaara).

Vaurioituneesta akusta saattaa erityisen kovassa käytössä tai poikkeavassa lämpötilassa vuotaa akkuhappoa. Ihonkohta, joka on joutunut kosketukseen akkuhapon kanssa on viipymättä pestävä vedellä ja saippualla. Silmä, johon on joutunut akkuhappoa, on huuhdeltava vedellä vähintään 10 minuutin ajan, jonka jälkeen on viipymättä hakeuduttava lääkärin apuun.

Jotta vältetään lyhytsulun aiheuttama tulipalon, loukkaantumisen tai tuotteen vahingoittumisen vaara, älä koskaan upota työkalua, vaihtoakkuja tai latauslaitetta nesteeseen ja huolehdi siitä, ettei mitään nesteitä pääse tunkeutumaan laitteiden tai akkujen sisään. Syövyttävät tai sähköä johtavat nesteet, kuten suolavesi, tietyt kemikaalit ja lalkaisuaineet tai valkaisuaineita sisältävät tuotteet voivat aiheuttaa lyhytsulun.

Käytä ainoastaan System M18 latauslaitetta System M18 akkujen lataukseen. Älä käytä muiden järjestelmien akkuja.

Vaihtoakkuja ja latauslaitteita ei saa avata. Säilytys vain kuivissa tiloissa. Suojattava kosteudelta.

TARKOITUKSEN MUKAINEN KÄYTTÖ

Tämä putkenpuhdistuslaite on käsikäyttöinen laite esimerkiksi keittiöissä, kylpyhuoneissa ja kodinhoituhuoneissa olevien sivuviemäriputkien puhdistamista varten.

AKKU

Pitkään käyttämättä olleet vaihtoakut on ladattava ennen käyttöä.

Yli 50°C lämpötilassa akun suorituskyky heikkenee. Vältäthän akkujen säilyttämistä auringossa tai kuumissa tiloissa.

Pidä aina latauslaitteen ja akun kosketinpinna puhtaina.

Optimaalisen käyttöajan saavuttamiseksi akut on ladattava täyteen käytön jälkeen.

Mahdollisimman pitkän elinajan takaamiseksi akut tulee poistaa laturista lataamisen jälkeen.

Akkuja yli 30 päivää säilytettäessä: Säilytä akku yli 27°C:ssa ja kuivassa. Säilytä akku sen latauksen ollessa 30% - 50%. Lataa akku 6 kuukauden välein uudelleen.

LITIUMI-IONI AKKujen KULJETTAMINEN

Litiumi-ioniakut kuuluvat vaarallisten aineiden kuljetuksesta annettujen lakien piiriin.

Näiden akkujen kuljettaminen täytyy suorittaa noudattaen paikallisia, kansallisia ja kansainvälisiä määräyksiä ja säädöksiä.

Kuluttajat saavat ilman muuta kuljettaa näitä akkuja teitä pitkin.

Kaupallisessa kuljetuksessa huolintaliikkeiden täytyy kuljettaa litiumi-ioniakkuja vaarallisten aineiden kuljetuksesta annettujen määräysten mukaisesti. Ainoastaan tähän vastaavasti koulutetut henkilöt saavat suorittaa kuljetuksen valmistelutoimet ja itse kuljetuksen. Koko prosessia tulee valvoa asiantuntevasti.

Seuraavat kohdat tulee huomioida akkuja kuljetettaessa:

Varmista, että akkujen kontaktit on suojattu ja eristetty, jotta vältetään lyhytsulut. Huolehdi siitä, ettei akkusarjia voi luiskahtaa paikaltaan pakkauksen sisällä. Vahingoittuneita tai vuotavia akkuja ei saa kuljettaa. Pyydä tarkemmat tiedot huolintaliikkeeltäsi.

AKUN YLIKUORMITUSUOJUAUS

Jos akku ylikuormittuu erittäin suuren virrankulutuksen takia, esim. erittäin voimakkaiden vääntömomenttien, äkillisen pysähtymisen tai oikosulun vuoksi, niin sähkötyökalu tärisee 5 sekunnin ajan, latausnäyttö vilkkuu ja sähkötyökalu sammuu omatoimisesti. Käynnistä laite uudelleen päästämällä katkaisinpainikkeen irti ja käynnistämällä laitteen sitten uudelleen.

Erittäin suuressa kuormituksessa akku kuumenee liiaksi. Tässä tapauksessa latausnäytön kaikki lamput vilkkuvat, kunnes akku on jäähtynyt. Kun latausnäyttö on sammunut, voi työtä jatkaa.

Työnnä akku sitten latauslaitteeseen ja lataa se jälleen, jotta se aktivoituu.

LISÄOHJEITA KÄYTTÖÄ VARTEN

Normaalikäyttöön on esitetty kuvissa.

Vie kierukka putkeen pienin edestakaisliikkein, kunnes tukkeuma on poistettu.

VIITE: Jos työkalu juuttuu kiinni, päästä katkaisin heti irti.

Näin irrotat kiinni juuttuneen putkenpuhdistuslaitteen: Vedä työkalua taaksepäin pyörittäen muutama senttimetri takaisin irrottaaksesi kierukan.

Sammuta työkalu ja odota, kunnes se on pysähtynyt. Kytke sitten työkalu jälleen pyörimään eteenpäin.

VAROITUS! Työkalun jatkuva pyörytys taaksepäin voi aiheuttaa kierukan ja varusteiden vahingoittumisen.

KIERUKAN ASENNUS

Kierukan asennus:

Noudata kuvissa olevia ohjeita kierukan asentamiseksi.

VAROITUS! Kierukka on jännityksen alainen ja voi asennettaessa yllättäen singota pois, mikä voi aiheuttaa vammoja. Käytä suojalaseja tai sivusuojuksin varustettuja silmälasia pitäväksesi tapaturman vaaran mahdollisimman pienenä.

Käytä aina nahkakäsineitä.

Kierrä uusi kierukka nuolen suuntaan (katso rumpu) rummun sisäpuolelle. Kierrä kierukka kokonaan rummun sisälle.

Lue käyttöohje. Käytä tarkoituksenmukaisia suojavarusteita.

Putkenpuhdistimen käytössä voit joutua kosketuksiin kemikaalien, bakteerien tai muiden syövyttävien, myrkyllisten tai tartuttavien aineiden kanssa.

Pese kätesi käytön jälkeen lämpimällä vedellä ja saippualla.

Käytä aina astian sisäkettä, jotta vältetään kierukan vaurioituminen.

HUOLTO

Ota akku pois ennen kaikkia koneeseen tehtäviä toimenpiteitä.

Pyyhi ulos vedetty kierukka liinalla ja työnnä se takaisin säiliöön.

Ennen putkenpuhdistuslaitteen varastointia vedä kierukka kokonaan ulos. Puhdista kierukka ja kelaa se löysästi rullalle.

Käytä ainoastaan Milwaukee lisätarvikkeita ja Milwaukee varaosia. Mikäli jokin komponentti, jota ei ole kuvailtu, tarvitsee vaihtoa ota yhteys johonkin Milwaukee palvelupisteistä (kts. liistamme takuuhuoltoilikkeiden/ palvelupisteiden osoitteista)

Tarpeen vaatiessa voit pyytää lähettämään laitteen kokoonpanopiirustuksen ilmoittamalla arvokilven numeron seuraavasta osoitteesta: Techtronic Industries GmbH, Max-Eyth-Strasse 10, 71364 Winnenden, Germany.

TODISTUS CE-STANDARDINMUKAISUUDESTA

Vakuutamme täten olevamme yksin vastuussa siitä, että kohdassa "Tekniset tiedot" kuvattu tuote vastaa kaikkia direktiivien merkityksellisiä säädöksiä:

2011/65/EU (RoHS), 2006/42/EY, 2014/30/EU
ja seuraavia yhdenmukaistettuja standardeja on käytetty.
EN 62841-1:2015
EN 62841-3-14:2017
EN 55014-1:2017+A11:2020
EN 55014-2:2015
EN IEC 63000:2018



Winnenden. 2020-11-16

Alexander Krug / Managing Director
Valtuutettu kokoamaan tekniset dokumentit.
Techtronic Industries GmbH
Max-Eyth-Straße 10, 71364 Winnenden, Germany

SYMBOLIT



HUOMIO! VAROITUS! VAARA!



Lue käyttöohjeet huolellisesti, ennen koneen käynnistämistä.



Käytä laitteella työskennellessäsi aina suojalaseja.



Käytä aina suojakäsineitä – mieluiten nahkaisia!



Loukkaantumisvaara!
Älä kanna kela selkäreppuna!



Loukkaantumisvaara!
Kela täytyy sulkea ennen käynnistämistä!



Ota akku pois ennen kaikkia koneeseen tehtäviä toimenpiteitä.



Lisälaitte - Ei sisälly vakiovarustukseen, saatavana lisätarvikkeena.



Sähkölaitteita, paristoja/akkuja ei saa hävittää yhdessä kotitalousjätteiden kanssa. Sähkölaitteet ja akut tulee kerätä erikseen ja toimittaa kierrätysliikkeeseen ympäristöystävällistä hävittämistä varten. Pyydä paikallisilta viranomaisilta tai alan kauppiaaltasi tarkemmat tiedot kierrätyspisteistä ja keräyspaikoista.

n₀ Kuormittamaton kierrosluku

V Jännite

--- Tasavirta



Euroopan säännönmukaisuusmerkki



Britannian säännönmukaisuusmerkki





Ukrainan säännönmukaisuusmerkki



Euraasian säännönmukaisuusmerkki



Τεχνικά στοιχεία Καθαριστής σωλήνων	M18 FFSDC		
Αριθμός παραγωγής	4609 36 02... ... 000001-999999		
Τάση ανταλλακτικής μπαταρίας	18 V		
Αριθμός στροφών χωρίς φορτίο	0 - 250 min ⁻¹		
Μήκος σπείρας	15 m		
Μέγεθος σπείρας	10 mm	13 mm	16 mm
Διάμετρος σωλήνα	50 - 75 mm	50 - 100 mm	32 - 75 mm
Βάρος σύμφωνα με τη διαδικασία EPTA 01/2014 (Li-Ion 5,0 Ah)	18,85 kg	23,65 kg	20,45 kg
 Βάρος	11,0 kg	15,8 kg	12,6 kg
 Βάρος	7,1 kg		
Συνιστώμενη θερμοκρασία περιβάλλοντος για τη λειτουργία	-18°C ... +50°C		
Συνιστώμενη δέσμη συσσωρευτών	M18B...		
Συνιστώμενη συσκευή φόρτισης	M12-18...		
Πληροφορίες θορύβου Τίμες μέτρησης εξακριβωμένες κατά EN 62841. Η σύφωνα με την καμπύλη A εκτιμηθείσα στάθμη θορύβου του μηχανήματος αναφέρεται σε: Στάθμη ηχητικής πίεσης (Ανασφάλεια K=3dB(A)) Στάθμη ηχητικής ισχύος (Ανασφάλεια K=3dB(A))	72,4 dB (A) 83,4 dB (A)		
Φοράτε προστασία ακοής (ωτασπίδες)!			



⚠️ ΠΡΟΕΙΔΟΠΟΙΗΣΗ! Διαβάστε όλες τις υποδείξεις ασφαλείας, τις οδηγίες, τις εικόνες και τα δεδομένα, τα οποία θα λάβετε μαζί με το μηχάνημα. Αμέλειες κατά την τήρηση των προειδοποιητικών υποδείξεων μπορεί να προκαλέσουν ηλεκτροπληξία, κίνδυνο πυρκαγιάς ή/και σοβαρούς τραυματισμούς. **Φυλάξτε όλες τις προειδοποιητικές υποδείξεις και οδηγίες για κάθε μελλοντική χρήση.**

⚠️ ΥΠΟΔΕΙΞΕΙΣ ΑΣΦΑΛΕΙΑΣ ΓΙΑ ΤΟΝ ΚΑΘΑΡΙΣΜΟ ΣΩΛΗΝΩΝ

Να πιάνετε την περιστρεφόμενη σπείρα μόνο με τα γάντια που συνιστώνται από τον κατασκευαστή. Λάτεις γάντια, φοροδιά γάντια ή πανιά θα μπορούσαν να περιτυλιχθούν στη σπείρα και να προκαλέσουν σοβαρούς τραυματισμούς.

Κατά τη διάρκεια της περιστροφής της σπείρας να βεβαιώνεστε αν περιστρέφεται και η αιχμηρή μύτη σπείρας. Διαφορετικά θα μπορούσε να υπερφορτωθεί η σπείρα και να περιστραφεί υπερβολικά, να λυγίσει ή να σπάσει, προκαλώντας σοβαρούς τραυματισμούς.

Σε περίπτωση που θα μπορούσαν να περιέχονται χημικές ουσίες, βακτήρια, μολυσματικοί παράγοντες ή άλλες τοξικές ουσίες στον προς καθαρισμό σωλήνα αποχέτευσης, τότε να χρησιμοποιείτε τα γάντια προστασίας από λάτεις ή τα ελαστικά γάντια που συνιστά ο κατασκευαστής, καθώς επίσης προστατευτικά γυαλιά, προστατευτικό κάλυμμα προσώπου, προστατευτικό ρουχισμό και μάσκα προστασίας της αναπνοής. Οι σωληναγωγοί πιθανόν να περιέχουν χημικές ουσίες, βακτήρια ή άλλες ουσίες που είναι τοξικές ή λοιμογόνες και θα μπορούσαν να προκαλέσουν εγκαύματα ή σοβαρούς τραυματισμούς.

Λαμβάνετε υπόψη σας τους υγειονομικούς κανόνες. Κατά τη διάρκεια της χρήσης του μηχανήματος μην τρώτε και μην καπνίζετε. Μετά την εργασία με μηχανήματα καθαρισμού σωλήνων ή τη χρήση τέτοιων μηχανημάτων πρέπει να πλένονται τα χέρια και τα λοιπά τμήματα του σώματος που έχουν έρθει σε επαφή με το περιεχόμενο του σωλήνα, με ζεστό νερό και σαπούνι. Έτσι αποτρέπονται οι κίνδυνοι για την υγεία που μπορεί να προκύψουν από την επαφή με τοξικές ή λοιμογόνες ουσίες.

Ο καθαριστής σωλήνων πρέπει να χρησιμοποιείται μόνο για σωλήνες με το αναφερόμενο μέγεθος. Η χρήση ενός καθαριστή σωλήνων λανθασμένου μεγέθους μπορεί να οδηγήσει σε στρέβλωση, λύγισμα ή θραύση της σπείρας και τραυματισμούς.

Να ελέγχετε τη σπείρα πριν τη χρήση για ίχνη φθοράς και ζημιές. Να ανταλλάσσετε φθαρμένες ή καταστραμμένες σπείρες πριν τη χρήση του καθαριστή σωλήνων.

Μην στρεβλώνετε, κάμπτετε ή λυγίζετε υπερβολικά τη σπείρα. Η θραύση της σπείρας μπορεί να προκαλέσει σοβαρούς τραυματισμούς.

Να επιθεωρείτε τον προς καθαρισμό σωλήνα πριν τη χρήση του μηχανήματος. Εφόσον είναι δυνατόν, προσδιορίζετε το/τα σημείο/α εισαγωγής, τη διάμετρο και το μήκος του σωληναγωγού, καθώς επίσης την απόσταση από τους κεντρικούς αγωγούς, το είδος της έμφραξης και την ύπαρξη μέσων καθαρισμού σωλήνων ή άλλων χημικών ουσιών. Σε περίπτωση που υπάρχουν χημικές ουσίες στο σωλήνα αποχέτευσης, πρέπει να λαμβάνονται μέτρα ασφαλείας. Προς λήψη των αναγκαίων πληροφοριών να απευθύνεστε στον παραγωγό της χημικής ουσίας.

Εν ανάγκη καλύτερο το χώρο εργασίας. Ο καθαρισμός σωλήνων αποχέτευσης είναι συχνά μια βρώμικη εργασία.

Να βεβαιώνεστε αν είναι η σπείρα απόλυτα τυλιγμένη. Κατά την ενεργοποίηση αποτρέπεται έτσι η κίνηση της σπείρας σαν μαστίνγιο.

Να βεβαιώνεστε, αν μπορεί να τοποθετηθεί ο καθαριστής σωλήνων σε μια απόσταση το πολύ 15 εκατ. από το στόμιο του σωλήνα. Διαφορετικά θα πρέπει να ψεφώνεται το στόμιο του σωλήνα με ένα κατάλληλο κομμάτι σωλήνα ίδιας διαμέτρου. Η αδέξια εισαγωγή σπείρας μπορεί να οδηγήσει σε στρέβλωση, λύγισμα ή θραύση της σπείρας.

Τοποθετήστε τον καθαριστή σωλήνων σε μια απόσταση το πολύ 15 εκατ. από το στόμιο του σωλήνα. Σε περίπτωση μεγαλύτερης απόστασης δεν ελέγχεται επαρκώς η σπείρα και μπορεί να στρεβλώσει, να λυγίσει ή να σπάσει.

Η σπείρα και ο διακόπτης ενεργοποίησης/απενεργοποίησης πρέπει χειρίζονται από ένα άτομο.

Με εξάιρεση των περιπτώσεων που αναφέρονται σε αυτές τις οδηγίες, δεν επιτρέπεται να περιστρέφεται η σπείρα

προς τα πίσω. Η περιστροφή προς τα πίσω μπορεί να οδηγήσει σε ζημιά τής σπείρας και εξυπηρετεί μόνο το βγάλσιμο της σπείρας σε περίπτωση μιας έμφραξης σωλήνα.

Μην αφαιρείτε τις ετικέτες και τις πινακίδες τύπου. Αυτές οι πινακίδες περιέχουν σημαντικές πληροφορίες. Είναι αυτές οι ενδεικτικές πινακίδες δυσαναγνώστες ή απουσιάζουν, τότε να απευθύνεστε στο τμήμα εξυπηρέτησης πελατών τής MILWAUKEE για μια ανέξοδη αντικατάσταση αυτών.

Περαιτέρω οδηγίες ασφαλείας και χρήσεως

Χρησιμοποιείτε προστατευτικό εξοπλισμό. Κατά την εργασία με τη μηχανή φοράτε πάντα προστατευτικό γυαλιά. Συνιστούμε επίσης προστατευτική ενδυμασία όπως επίσης μάσκα προστασίας ανανοής, προστατευτικά γάντια, σταθερά και ασφαλή στην ολίσθηση υποδήματα, κράνος και ωτοασπίδες.

Η σκόνη που δημιουργείται κατά την εργασία είναι συχνά επιβλαβής για την υγεία και δεν επιτρέπεται να έλθει στο σώμα. Να φοράτε κατάλληλη μάσκα προστασίας από σκόνη.

Μην επεξεργάζεστε επικινδύνα για την υγεία υλικά (π.χ. αμίαντος).

Σε περίπτωση μπλοκαρίσματος της αριδας απενεργοποιήστε αμέσως τή συσκευή! Μην ενεργοποιήτε εκ νέου τή συσκευή όσο η αριδα είναι μπλοκαρισμένη. Σ' αυτή τή περίπτωση θα μπορούσε να προκύψει υψηλή ροπή αντίδρασης. Βρείτε τήν αιτία του μπλοκαρίσματος τής αριδας και ξεμπλοκάρετē τήν λαμβάνοντας υπόψη τήσ οδηγίες ασφαλείας.

Πριν από κάθε εργασία στη μηχανή αφαιρείτε τήν ανταλλακτική μπαταρία.

Μην πετάτε τισ μεταχειρισμένες ανταλλακτικές μπαταρίες στη φωτιά ή στα οικιακά απορρίμματα. Η Milwaukee προσφέρει μια απόσυρση των παλιών ανταλλακτικών μπαταριών σύμφωνα με τους κανόνες προστασίας του περιβάλλοντος, ρωτήστε παρακαλώ σχετικά στο ειδικό κατάστημα πώλησης.

Μην αποθηκεύετε τισ ανταλλακτικές μπαταρίες μαζί με μεταλλικά αντικείμενα (κίνδυνος βραχυκυκλώματος).

Όταν υπάρχει υπερβολική καταπόνηση ή υψηλή θερμοκρασία μπορεί να τρέξει υγρό μπαταρίας από τισ χαλασμένες επαναφορτιζόμενες μπαταρίες. Αν έρθετε σε επαφή με υγρό μπαταρίας να πλυθήτε αμέσως με νερό και σαπούνι. Σε περίπτωση επαφής με τα μάτια να πλυθήτε σχολαστικά για τουλάχιστον 10 λεπτά και να αναζητήσετε αμέσως ένα γιατρό.

Για να αποτρέπεται τον κίνδυνο πυρκαγιάς λόγω βραχυκυκλώματος, τραυματισμούς ή ζημιές του προϊόντος, να μη βυθίζετε το εργαλείο, τον ανταλλακτικό συσσωρευτή ή τή συσκευή φόρτισης σε υγρά και να φροντίζετε, ώστε να μη διεισδύουν υγρά στις συσκευές και τους συσσωρευτές. Διαβρωτικές ή αγνώγιμες υγρές ουσίες, όπως αλατόνερο, ορισμένες χημικές ουσίες και λευκαντικά ή προϊόντα που περιέχουν λευκαντικά, μπορεί να προκαλέσουν βραχυκύκλωμα.

Φορτίζετε τισ ανταλλακτικές μπαταρίες του συστήματος M18 μόνο με φορτιστές του συστήματος M18. Μη φορτίζετε μπαταρίες από άλλα συστήματα.

Μην ανοίγετε τισ ανταλλακτικές μπαταρίες και τους φορτιστές και χρησιμοποιήστε για αποθήκευση μόνο στεγνούς χώρους. Προστατεύετε τισ ανταλλακτικές μπαταρίες και τους φορτιστές από τήν υγρασία.

ΧΡΗΣΗ ΣΥΜΦΩΝΑ ΜΕ ΤΟ ΣΚΟΠΟ ΠΡΟΟΡΙΣΜΟΥ

Αυτός ο καθαριστής σωλήνων είναι ένα μηχανήμα χειρός για τον καθαρισμό δευτερευόντων σωλήνων αποχετεύσης, για παράδειγμα σε κουζίνες, λουτρά και οικιακούς χώρους.

ΜΠΑΤΑΡΙΕΣ

Επαναφορτίζετε τισ ανταλλακτικές μπαταρίες που δεν έχουν χρησιμοποιηθεί για μεγαλύτερο χρονικό διάστημα πριν τή χρήση.

Μια θερμοκρασία πάνω από 50°C μειώνει τήν ισχύ τής ανταλλακτικής μπαταρίας. Αποφεύγετε τή θέρμανση για μεγαλύτερο χρονικό διάστημα από τον ήλιο ή τισ συσκευές θέρμανσης.

Διατηρείτε τισ επαφές σύνδεσης στο φορτιστή και στην ανταλλακτική μπαταρία καθαρές.

Για μια άριστη διάρκεια ζωής πρέπει μετά τή χρήση οι μπαταρίες να φορτιστούν πλήρως.

Για μια κατά το δυνατόν μεγάλη διάρκεια ζωής οι μπαταρίες μετά τή φόρτιση οφείλουν να αφαιρεθούν από το φορτιστή.

Για τήν αποθήκευση τής μπαταρίας για διάστημα μεγαλύτερο των 30 ημερών: Αποθηκεύετε τή μπαταρία περ. στους 27°C σε στεγνό χώρο. Αποθηκεύετε τή μπαταρία περ. στο 30%-50% τήν κατάστασης φόρτισης. Κάθε 6 μήνες φορτίζετε εκ νέου τή μπαταρία.

ΜΕΤΑΦΟΡΑ ΤΩΝ ΜΠΑΤΑΡΙΩΝ ΙΟΝΤΩΝ ΛΙΘΙΟΥ

Οι μπαταρίες ιόντων λιθίου υπόκεινται στις απαιτήσεις των νομικών διατάξεων για τήν μεταφορά επικινδύνων εμπορευμάτων.

Η μεταφορά τέτοιων μπαταριών πρέπει να πραγματοποιείται τήρωτάς τους τοπικούς, εθνικούς και διεθνείς κανονισμούς και τισ αντίστοιχες διατάξεις.

Επιτρέπεται η μεταφορά τέτοιων μπαταριών στο δρόμο χωρίς περαιτέρω απαιτήσεις.

Η εμπορική μεταφορά μπαταριών ιόντων λιθίου από εταιρείες μεταφορών υπόκειται στις απαιτήσεις των νομικών διατάξεων για τήν μεταφορά επικινδύνων εμπορευμάτων. Οι προετοιμασίες αποστολής και η μεταφορά πραγματοποιούνται αποκλειστικά από ειδικά εκπαιδευμένα πρόσωπα. Η συνολική διαδικασία συνοδεύεται από εξειδικευμένο προσωπικό.

Κατά τή μεταφορά μπαταριών ιόντων λιθίου πρέπει να προσέχετε τα εξής:

Φροντίστε να σημειάσθε να είναι προστατευμένα και μονωμένα ώστε να αποφευχθούν βραχυκυκλώματα. Προσέξτε το πακέτο μπαταριών να είναι σταθερό μέσα στη συσκευασία και να μη γλιστρά. Η μεταφορά μπαταριών που παρουσιάζουν φθορές ή διαρροές δεν επιτρέπεται. Για περισσότερες πληροφορίες απευθυνθείτε στην εταιρεία μεταφορών.

ΠΡΟΣΤΑΣΙΑ ΥΠΕΡΦΟΡΤΩΣΗΣ ΤΗΣ ΜΠΑΤΑΡΙΑΣ

Σε υπερφόρτωση τής μπαταρίας από πολύ υψηλή κατανάληση ρεύματος, π. χ. από ακραίες υψηλές ροπές περιστροφής, μπλοκάρισμα του τρυπανιού, δυνάμει το ηλεκτρικό εργαλείο για 5 δευτερόλεπτα, αναβόσβηνη ή ένδειξη φόρτισης και το ηλεκτρικό εργαλείο απενεργοποιείται αυτόματα.

Για μια νέα ενεργοποίηση, αφήνετε ελεύθερο το διακόπτη και στη συνέχεια ενεργοποιήτε εκ νέου.

Κάτω από ακραίες καταπονήσεις θερμαίνεται πάρα πολύ η μπαταρία. Στην περίπτωση αυτή αναβόσβηνον όλες οι λάμπες τής ένδειξης φόρτισης μέχρι να έχει κρώσει η μπαταρία. Μετά το σβήσιμο τής ένδειξης φόρτισης μπορεί να συνεχιστεί η συνεργασία. Τοποθετείτε στη συνέχεια τή μπαταρία στη συσκευή φόρτισης για να τή φορτίσετε πάλι και να τήν ενεργοποιήσετε.

ΕΠΙΠΡΟΣΘΕΤΕΣ ΣΥΜΒΟΥΛΕΣ ΓΙΑ ΤΗ ΧΡΗΣΗ

Για τήν κανονική χρήση να ακολουθείτε τισ απεικονίσεις. Καθοδηγήστε τή σπείρα στο σωλήνα με μια μικρή προς και πίσω κίνηση, μέχρι να καταλυθεί η έμφραξη.

ΥΠΟΔΕΙΞΗ: Σε περίπτωση μπλοκαρίσματος του μηχανήματος αφήνετε αμέσως το διακόπτη.

Εξεκόλλημα ενός μπλοκαρισμένου καθαριστή σωλήνων: Τραβήξτε το εργαλείο μερικά εκατοστά προς τα πίσω, χρησιμοποιώντας τήν περιστροφή προς τα πίσω, για να ξεκολλήσετε η σπείρα.

Απενεργοποιήτε το εργαλείο και περιμένετε, μέχρι να σταματήσει πλήρως. Ύστερα ενεργοποιήτε πάλι το εργαλείο, χρησιμοποιώντας τήν περιστροφή προς τα εμπρός.



ΠΡΟΣΟΧΗ! Η διαρκής λειτουργία του εργαλείου στην περιστροφή προς τα πίσω μπορεί να οδηγήσει σε ζημιά τής σπείρας και του εξαρτήματος.

ΜΟΝΤΑΡΙΣΜΑ ΣΠΕΙΡΑΣ

Μοντάρισμα σπείρας:

Για το μοντάρισμα σπείρας να ακολουθείτε τις απεικονίσεις. ΠΡΟΕΙΔΟΠΟΙΗΣΗ! Η σπείρα βρίσκεται υπό πίεση και κατά το μοντάρισμα μπορεί να πετάγεται ξαφνικά προς τα έξω, πράγμα που θα μπορούσε να οδηγήσει σε τραυματισμούς. Να φοράτε προστατευτικά γυαλιά ή γυαλιά με πλευρική προστασία, για να κρατάτε τον κίνδυνο τραυματισμού κατά το δυνατόν σε χαμηλό επίπεδο.

Να φοράτε πάντα δερμάτινα γάντια.

Τυλίξτε μια νέα σπείρα προς την κατεύθυνση του βέλους (βλέπε κάδο) στον εσωτερικό κάδο. Τυλίξτε τη σπείρα στον εσωτερικό κάδο πλήρως.

Διαβάστε τις οδηγίες χρήσεως. Χρησιμοποιείτε έναν κατάλληλο εξοπλισμό ασφαλείας.

Κατά τη χρήση του καθαριστή σωλήνων μπορεί να έρθετε σε επαφή με χημικές ουσίες, βακτήρια, και άλλες καυστικές, τοξικές ή μολυσματικές ουσίες.

Μετά τη χρήση καθαρίστε τα χέρια με ζεστό νερό και σαπούνι.

Χρησιμοποιείτε πάντα την εφαρμογή τού περιέκτη, για να αποτρέπεται μια ζημιά του σπειροειδούς σώματος.

ΣΥΝΤΗΡΗΣΗ

Πριν από κάθε εργασία στη μηχανή αφαιρείτε την ανταλλακτική μπαταρία.

Σκουπίστε την ελεύθερη σπείρα με ένα πανί και σπρώξτε την πάλι στον κάδο.

Πριν την αποθήκευση του καθαριστή σωλήνων να βγάξετε τη σπείρα εξ ολοκλήρου. Καθαρίστε τη σπείρα και τυλίξτε την χαλαρά.

Χρησιμοποιείτε μόνο αξεσουάρ Milwaukee και ανταλλακτικά Milwaukee. Εξαρτήματα, που η αλλαγή τους δεν περιγράφεται, αντικαθιστώνται σε μια τεχνική υποστήριξη της Milwaukee (βλέπε φυλλάδιο εγγύηση/ διευθύνσεις τεχνικής υποστήριξης).

Όταν χρειάζεται, μπορείτε να ζητήσετε ένα σχέδιο συναρμολόγησης της συσκευής, δίνοντας τον τύπο της μηχανής και αριθμό στην πινακίδα ισχύος, από το κέντρο σέρβις ή απευθείας από τη φίρμα Techtronic Industries GmbH, Max-Eyth-Strasse 10, 71364 Winnenden, Germany.

ΔΗΛΩΣΗ ΠΙΣΤΟΤΗΤΑΣ ΕΚ

Δηλώνουμε με αποκλειστική μας ευθύνη, ότι το προϊόν που περιγράφεται στα «Τεχνικά Χαρακτηριστικά» συμμορφώνεται με όλες τις σχετικές διατάξεις των οδηγιών:

2011/65/EE (RoHS), 2006/42/EK, 2014/30/EE

και έχουν εφαρμοστεί τα ακόλουθα εναρμονισμένα πρότυπα

EN 62841-1:2015

EN 62841-3-14:2017

EN 55014-1:2017+A11:2020

EN 55014-2:2015

EN IEC 63000:2018



Winnenden. 2020-11-16

Alexander Krug / Managing Director
Εξουσιοδοτημένος να συντάξει τον τεχνικό φάκελο.
Techtronic Industries GmbH
Max-Eyth-Strasse 10, 71364 Winnenden, Germany

ΣΥΜΒΟΛΑ



ΠΡΟΣΟΧΗ! ΠΡΟΕΙΔΟΠΟΙΗΣΗ! ΚΙΝΔΥΝΟΣ!



Παρακαλώ διαβάστε σχολαστικά τις οδηγίες χρήσης πριν από την έναρξη λειτουργίας.



Στις εργασίες με τη μηχανή φοράτε πάντοτε προστατευτικά γυαλιά.



Να φοράτε πάντα προστατευτικά γάντια – κατά προτίμηση από δέρμα!



Κίνδυνος τραυματισμού
Μη μεταφέρετε ποτέ το περιβλήμα σαν σακίδιο!



Κίνδυνος τραυματισμού
Πριν από την έναρξη πρέπει να είναι το περίβλημα κλειστό!



Πριν από κάθε εργασία στη μηχανή αφαιρείτε την ανταλλακτική μπαταρία.



Εξαρτήματα - Δεν περιλαμβάνονται στα υλικά παράδοση, συνιστούμενη προσθήκη από το πρόγραμμα εξαρτημάτων.



Ηλεκτρικά μηχανήματα, μπαταρίες/συσσωρευτές δεν επιτρέπεται να απορρίπτονται μαζί με τα οικιακά απορρίμματα. Ηλεκτρικά μηχανήματα και συσσωρευτές συλλέγονται ξεχωριστά και παραδίδονται προς ανακύκλωση με τρόπο φιλικό προς το περιβάλλον σε επιχείρηση επεξεργασίας απορριμμάτων. Ενημερωθείτε από τις τοπικές υπηρεσίες ή από ειδικευμένους εμπόρους σχετικά με κέντρα ανακύκλωσης και συλλογής απορριμμάτων.

n₀

Αριθμός στροφών χωρίς φορτίο

V

Βολτ



Συνεχές ρεύμα



Ευρωπαϊκό σήμα πιστότητας



Βρετανικό σήμα πιστότητας





Ουκρανικό σήμα πιστότητας

001



Ευρασιατικό σήμα πιστότητας

Ελληνικά

Teknik veriler		M18 FFSDC		
Boru temizleme aleti				
Üretim numarası	4609 36 02... ... 000001-999999			
Kartuş akü gerilimi	18 V			
Bostaki devir sayısı	0 - 250 min ⁻¹			
Spiral uzunluğu	15 m			
Spiral boyu	10 mm	13 mm	16 mm	
Boru çapı	50 - 75 mm	50 - 100 mm	32 - 75 mm	
Ağırlığı ise EPTA-üretici 01/2014'e göre (Li-Ion 5,0 Ah)	18,85 kg	23,65 kg	20,45 kg	
 Ağırlığı	11,0 kg	15,8 kg	12,6 kg	
 Ağırlığı	7,1 kg			
Çalıştırılması için tavsiye edilen ortam sıcaklığı	-18°C ... +50°C			
Tavsiye edilen güç paketleri	M18B...			
Tavsiye edilen sarj aletleri	M12-18...			
Gürültü bilgileri				
Ölçüm değerleri EN 62841 e göre belirlenmektedir. Aletin, frekansa bağımlı uluslararası ses basıncı seviyesi değerlendirme eğrisi A'ya göre tipik gürültü seviyesi:				
Ses basıncı seviyesi (Tolerans K=3dB(A))				
Akustik kapasite seviyesi (Tolerans K=3dB(A))				
Koruyucu kulaklık kullanın!				
	72,4 dB (A)	83,4 dB (A)		

⚠ UYARI! Cihazla birlikte gelen tüm güvenlik uyarılarını, talimatları, çizimleri ve bilgileri okuyun. Açıklanan uyarılara ve talimat hükümlerine uyulmadığı takdirde elektrik çarpmalarına, yangınlara ve/veya ağır yaralanmalara neden olunabilir. **Bütün uyarıları ve talimat hükümlerini ileride kullanmak üzere saklayın.**

⚠ BORU TEMİZLEME ALETLERİ İÇİN GÜVENLİK UYARILARI

Dönmekte olan spirale sadece üretici tarafından tavsiye edilen eldivenlerle dokununuz. Lateks veya bol gelen eldivenler veya bezler spiralin etrafına sarılabilir ve ağır yaralanmalara neden olabilir.

Spiral döndüğü sürece spiralin ucunun takılmamasından emin olun. Aksi halde spirale aşırı yük biner ve aşırı burulabilir, bükülebilir veya kırılabilir. Bu ise ağır yaralanmalara neden olabilir.

Temizlenecek atık su borusunda kimyasal maddeler, bakteriler veya başka zehirli maddeler veya bulaşıcı mikrop bulunma ihtimali varsa, üretici tarafından tavsiye edilen eldivenlerden lateks veya kauçuktan olanları ve koruyucu gözlük, yüz maskesi, koruyucu giysi ve solunumu koruyucu maske kullanın. Atık su borularını, zehirli veya bulaşıcı olan ve ağır yanıklara veya başka ağır yaralanmalara neden olabilen kimyasal maddeler, bakteriler veya başka maddeler içerebilirler.

Hijyen kurallarına dikkat edin. Aleti kullandığınız sırada yemek yemeyin ve sigara içmeyin. Boru temizleme aletlerini kullandıktan veya bunlarla çalıştıktan sonra, borunun içindeki maddelerle temas etmiş olan ellerin ve diğer vücut kısımlarının her zaman sıcak su ve sabunla yıkanması gerekmektedir. Böylece zehirli veya enfeksiyonlara neden olabilen maddelerle temastan dolayı oluşan sağlık risklerini önlemiş olursunuz.

Boru temizleme aleti sadece belirtilen boyuttaki borular için kullanılmalıdır. Yanlış boyuttaki bir boru temizleme aletinin kullanılması, spiralin burulmasına, bükülmesine veya kırılmasına ve ağır yaralanmalara neden olabilir.

Kullanımdan önce spirali aşınma hazırları ve hasarlar yönünden kontrol edin. Aşınmış veya hasarlı spirali boru temizleme aletini kullanmadan önce değiştirin.

Spirali burmayın, bükmeyin ve aşırı kıvrımayın. Spiralin kırılması ağır yaralanmalara neden olabilir.

Aleti kullanmadan önce temizlenecek boruyu kontrol edin. Mümkün olduğu kadar boru devresinin giriş noktasını (noktalarını), çapını ve uzunluğunu ve de ana hatlara olan mesafesini, tıkanıklığın türünü ve içinde boru temizleme maddelerinin veya başka kimyasalların bulunup bulunmadığını tespit edin. Atık su borusu içinde kimyasallar bulunuyorsa, gerekli güvenlik önlemlerinin alınması gerekmektedir. Gerekli bilgileri alabilmek için kimyasalların üreticisine başvurun.

Gerektiğinde çalışma alanının etrafını örtülerle kapatın. Atık su borularının temizliği oldukça fazla pislik oluşmasına neden olabilir.

Spiralin tamamıyla sarılımsız olmasından emin olun.

Böylece aletin çalıştırılması sırasında spiralin kırbaç gibi vurmasını önlemektir.

Boru temizleme aletinin boru deliğinden en fazla 15 cm'lik bir mesafede yerleştirilebilmesinden emin olun. Aksi halde boru deliği girişi ile alet arasındaki boşluk benzer çaplı uygun bir boru parçası ile doldurulmalıdır. Spiralin yanlış bir şekilde boruya sürülmesi spiralin burulmasına, bükülmesine veya kırılmasına neden olabilir.

Boru temizleme aletinin boru deliğinden en fazla 15 cm mesafeye yerleştirin. Mesafe daha fazla olursa, spiral sadece çok zor kontrol edilebilir ve burulabilir, bükülebilir veya kırılabilir.

Spiral ve açma/kapatma düğmesi tek bir şahıs tarafından kullanılmalıdır.

Bu kılavuzda belirtilen durumlar hariç, spiralin ters döndürülmesi yasaktır. Ters döndürülmesi spiralin hasar görmesine neden olabilir ve sadece, spiralin boru tıkanıklığı sırasında borudan çıkartılması içindir.

Etiket ve model levhalarını yerlerinden sökmeyin. Bu levhalar üzerinde önemli bilgiler bulunmaktadır. Uyarı levhaları



okunaksız bir duruma geldiye veya kaybolduysa, ücretsiz olarak yenilerini alabilmek için MILWAUKEE Müşteri Servisine başvurun.

Ek güvenlik ve çalışma talimatları

Koruma teçhizatı kullanın. Makinada çalışırken devamlı surette koruyucu gözlük takın. Koruyucu elbise ve tozlardan korunma maskesi, emniyet eldivenleri ve sağlam ve kaymaya mukavim ayakkabı giyin. Başlık ve kulaklık tavsiye edilir.

Çalışma sırasında ortaya çıkan toz genellikle sağlığa zararlıdır ve bedeninize temas etmemelidir. Uygun bir koruyucu toz maskesi kullanın

Sağlık tehlikelerine neden olan malzemelerin işlenmesi yasaktır (örn. asbest).

Uca yerleştirilen takımın bloke olması halinde lütfen cihazı hemen kapatın! Uca yerleştirilen takım bloke olduğu sürece cihazı tekrar çalıştırmayın; bu sırada yüksek reaksiyon momentine sahip bir geri tepme meydana gelebilir. Uca yerleştirilen takımın neden bloke olduğunu bakın ve bu durumu güvenlik uyarılarına dikkat ederek gidin.

Aletin kendinde bir çalışma yapmadan önce kartuş aküyü çıkarın.

Kullanılmış kartuş aküleri ateşe veya ev çöplerine atmayın. Milwaukee, kartuş akülerin çevreye zarar vermeyecek biçimde tasfiye edilmesine olanak sağlayan hizmet sunar; lütfen bu konuda yetkili satıcınızdan bilgi alın.

Kartuş aküleri metal parça veya eşyalarla birlikte saklamayın (kisa devre tehlikesi).

Aşırı zorlanma veya aşırı ısınma sonucu hasar gören kartuş akülerden batarya sıvısı dışarı akabilir. Batarya sıvısı ile temasa gelen yeri hemen bol su ve sabunla yıkayın. Batarya sıvısı gözünüze kaçacak olursa en azından 10 dakika yıkayın ve zaman geçirmeden bir hekime başvurun.

Bir kısa devreden kaynaklanan yangın, yaralanma veya ürün hasarları tehlikesini önlemek için aleti, güç paketini veya şarj cihazını asla sıvıların içine daldırmayınız ve cihazların ve pillerin içine sıvı girmesini önleyiniz. Tuzlu su, belirli kimyasallar, ağartıcı madde veya ağartıcı madde içeren ürünler gibi korozif veya iletken sıvılar kısa devreye neden olabilir.

M18 sistemli kartuş aküleri sadece M18 sistemli şarj cihazları ile şarj edin. Başka sistemli aküleri şarj etmeyin.

Kartuş aküleri ve şarj cihazını açmayın ve sadece kuru yerlerde saklayın. Neme ve ıslanmaya karşı koruyun.

KULLANIM

Bu boru temizleme aleti, örneğin mutfak, banyo ve çamaşır odaları gibi yerlerdeki sekonder atık su borularının temizliği içindir.

AKÜ

Uzun süre kullanım dışı kalmış kartuş aküleri kullanmadan önce şarj edin.

50°C üzerindeki sıcaklıklar kartuş akünün performansını düşürür. Akünün güneş ışığı veya mekân sıcaklığı altında uzun süre ısınmamasına dikkat edin.

Şarj cihazı ve kartuş aküdeki bağlantı kontaklarını temiz tutun.

Akünün ömrünün mükemmel bir şekilde uzun olması için kullandıktan sonra tamamen doldurulması gerekir.

Ömrünün mümkün olduğu kadar uzun olması için akülerin yüklemeye yapıldıktan sonra doldurma cihazından uzaklaştırılması gerekir. Akünün 30 günden daha fazla depolanması halinde: Aküyü takriben 27°C'de kuru olarak depolayın. Aküyü yüklemeye durumunun takriben % 30 - %50 olarak depolayın. Aküyü her 6 ay yenilerini doldurun.

LITYUM İYON PİLLERİN TAŞINMASI

Lityum iyon piller tehlikeli madde taşımacılığı hakkındaki yasal hükümler tabidir.

Bu piller, bölgesel, ulusal ve uluslararası yönetmeliklere ve hükümlere uyularak taşınmak zorundadır.

Tüketiciler bu pilleri herhangi bir özel şart aranmaksızın karayoluyla taşıyabilirler.

Lityum iyon pillerin nakliye şirketleri tarafından ticari taşımacılığı için tehlikeli madde taşımacılığının hükümleri geçerlidir. Sevk hazırlığı ve taşıma sadece ilgili eğitimi görmüş personel tarafından gerçekleştirilebilir. Bütün süre uzmanca bir refakatçilik altında gerçekleştirilmek zorundadır.

Pillerin taşınması sırasında aşağıdaki hususlara dikkat edilmesi gerekmektedir:

Kısa devre oluşmasını önlemek için kontakların korunmuş ve izole edilmiş olmasına sağlayınız. Pil paketinin ambalajı içinde kaymamasına dikkat ediniz. Hasarlı veya akmış pillerin taşınması yasaktır. Ayrıca bilgiler için nakliye şirketinize başvurunuz.

AKÜNÜN AŞIRI YÜKLENMEYE KARŞI KORUNMASI

Pek fazla elektrik tüketiminden dolayı, örneğin aşırı fazla devir momentleri, aniden durma veya kısa devre gibi aküye aşırı yüklenme durumunda elektro cihazı 5 saniye titreşir, yüklemeye göstergesi yanıp söner ve elektro cihaz kendiliğinden durur. Yeniden çalıştırmak için şalter baskısını serbest bırakın ve bundan sonra tekrar çalıştırın.

Akü aşırı yüklenmeden dolayı fazla ısınır. Bu durumda akü soğuyana kadar yüklemeye göstergesinin bütün lambaları yanıp söner. Göstergeler lambalarının sönmelerinden sonra tekrar çalışmaya devam edilebilir.

Aküyü tekrar doldurmak ve aktif hale getirmek amacı ile şarja bağlayın.

KULLANIMI İÇİN EK ÖNERİLER

Normal kullanım için burada bulunan şekillere dikkat edin.

Spirali hafifçe ileri ve geri hareket ettirerek, tıkanıklık giderilene kadar borunun içine sürün.

UYARI: Alet bloke olduğunda, şalteri hemen bırakın.

Bloke olan bir boru temizleme aletinin açılması:

Spirali kurtarmak için aleti geri dönme yönünde birkaç santim geri çekin.

Aleti kapatın ve durmasını bekleyin. Ardından aleti tekrar ileri dönme yönünde çalıştırın.

DİKKAT! Aletin sürekli olarak geri dönme yönünde çalıştırılması, spiralin ve aksesuarın hasar görmesine neden olabilir.

SPİRALİN MONTE EDİLMESİ

Spiralin monte edilmesi:

Spiralin montajına ait şekillere dikkat edin.

UYARI! Spiral basınç altındadır ve montaj sırasında aniden ileri doğru fırlayabilir. Bundan dolayı yaralanmalara neden olabilir. Yaralanma riskini mümkün olduğu kadar düşük tutmak için koruyucu bir gözlük veya yan siperleri olan bir gözlük kullanın.

Her zaman deri eldiven giyin.

Yeni spirali ok yönünde (tamburun üzerine bakın) iç tambur içine sarın. Spiralin tamamını iç tambur içine sarın.

Kullanma kılavuzunu okuyunuz. Uygun koruyucu donanım kullanınız.

Boru temizleme aletini kullanırken kimyasal, bakteri veya başka aşındırıcı, zehirli veya enfeksiyonlara neden olan maddelerle temas etmeniz mümkündür.

Kullanımdan sonra elleri sıcak su ve sabunla yıkayınız.

Spiralin hasar görmesini önlemek için daima muhafazanın iç parçasını kullanınız.

BAKIM

Aletin kendinde bir çalışma yapmadan önce kartuş aküyü çıkarın.

Açtıktaki spirali bir bezle silin ve tekrar tambur içine itin.

Boru temizleme aletini kullanmadığınız zamanlarda muhafaza etmek için spirali tamamıyla açın. Spirali temizleyin ve sıkı olmayacak şekilde sarın.

Sadece Milwaukee aksesuarı ve yedek parçası kullanın. Nasıl değiştirileceği açıklanmamış olan yapı parçalarını bir Milwaukee müşteri servisinde değiştirin (Garanti ve servis adresi broşürüne dikkat edin).

Gerektiği takdirde aletin dağınık görünüş şeması, alet tipinin ve tip etiketi üzerindeki sayının bildirilmesi koşuluyla müşteri servisinden veya doğrudan Techtronic Industries GmbH, Max-Eyth-Straße 10, 71364 Winnenden, Germany adresinden istenebilir.

CE UYGUNLUK BEYANI

"Teknik veriler" başlığı altında tanımlanan ürünün, sayılı direktiflerdeki tüm hükümleri:

2011/65/EU (RoHS), 2006/42/EC, 2014/30/EU

uyumlaştırılmış standartları

EN 62841-1:2015

EN 62841-3-14:2017

EN 55014-1:2017+A11:2020

EN 55014-2:2015

EN IEC 63000:2018



Winnenden. 2020-11-16

Alexander Krug

Alexander Krug / Managing Director
Teknik evrakları hazırlamakla görevlendirilmiştir.
Techtronic Industries GmbH
Max-Eyth-Straße 10, 71364 Winnenden, Germany

SEMBOLLER



DİKKAT! UYARI! TEHLİKE!



Lütfen aleti çalıştırmadan önce kullanma kılavuzunu dikkatli biçimde okuyun.



Aletle çalışırken daima koruyucu gözlük kullanın.



Her zaman koruyucu eldiven giyin - deriden olanları tercih edin!



Yaralanma tehlikesi!
Tamburu asla sırt çantası olarak taşımayın!



Yaralanma tehlikesi!
Çalıştırmadan önce tamburun kapatılması gerekmektedir!



Aletin kendinde bir çalışma yapmadan önce kartuş aküyü çıkarın.



Aksesuar - Teslimat kapsamında değildir, önerilen tamamamlar aksesuar programında.



Elektrikli cihazların, pillerin/akülerin evsel atıklarla birlikte bertaraf edilmesi yasaktır. Elektrikli cihazlar ve aküler ayrılarak biriktirilmeli ve çevreye zarar vermeden bertaraf edilmeleri için bir atık değerlendirme tesisine götürülmelidirler. Yerel makamlara veya satıcınıza geri dönüşüm tesisleri ve atık toplama merkezlerinin yerlerini danışınız.

n₀ Boştaki devir sayısı

V Voltaj

— — — Doğru akım



Avrupa uyumluluk işareti



Britanya uyumluluk işareti





Ukrayna uyumluluk işareti



Avrasya uyumluluk işareti



Technická data Čistička potrubí	M18 FFSDC		
Výrobní číslo	4609 36 02... ... 000001-999999		
Napětí výměnného akumulátoru	18 V		
Volnoběžné otáčky	0 - 250 min ⁻¹		
Délka spirály	15 m		
Velikost spirály	10 mm	13 mm	16 mm
Průměr potrubí	50 - 75 mm	50 - 100 mm	32 - 75 mm
Hmotnost podle prováděcího předpisu EPTA 01/2014 (Li-Ion 5,0 Ah)	18,85 kg	23,65 kg	20,45 kg
Hmotnost 	11,0 kg	15,8 kg	12,6 kg
Hmotnost 	7,1 kg		
Doporučená teplota okolí pro provoz	-18°C ... +50°C		
Doporučené akupaky	M18B...		
Doporučené nabíječky	M12-18...		
Informace o hluku			
Naměřené hodnoty odpovídají EN 62841. V třídě A posuzovaná hladina hluku přístroje činí typicky:			
Hladina akustického tlaku (Kolísavost K=3dB(A))	72,4 dB (A)		
Hladina akustického výkonu (Kolísavost K=3dB(A))	83,4 dB (A)		
Používejte chrániče sluchu !			



VAROVÁNÍ! Přečtěte si všechny bezpečnostní pokyny, instrukce, popisy a údaje, které obdržíte s přístrojem. Zanedbání při dodržování varovných upozornění a pokynů mohou mít za následek úder elektrickým proudem, požár a nebo těžká poranění. **Všechna varovná upozornění a pokyny do budoucna uschovejte.**

BEZPEČNOSTNÍ POKYNY PRO ČISTIČKU POTRUBÍ
Točící se spirály se dotýkejte jen v rukavicích doporučených výrobcem. Latexové nebo volné rukavice nebo látka se může namotat okolo spirály a způsobit zranění.

Zajistěte, aby se hrot spirály nezasekl, dokud se spirála otáčí V opačném případě se může spirála přetížit a příliš se přetočit, prasknout nebo zlomit, což může vést k těžkým zraněním.

Pokud by odtoková trubka, která se má čistit, mohla obsahovat chemikálie, bakterie nebo jiné toxické látky nebo původce nákazy, použijte ochranné rukavice doporučené výrobcem, latexové nebo gumové rukavice a ochranné rukavice, ochranu obličeje, ochranný oděv a ochrannou dýchací masku. Potrubí může obsahovat chemikálie, bakterie nebo jiné látky, které jsou toxické nebo infekční a mohou vyvolat poleptání nebo jiná závažná poranění.

Respektujte hygienické předpisy. Během používání přístroje nejezte a nekuřte. Po manipulaci nebo po použití přístrojů na čištění potrubí je nutné si ruce a ostatní části těla, které se dostaly do kontaktu s obsahem potrubí, vždy umýt teplou vodou a mýdlem. Tak zabráníte vzniku zdravotních rizik na základě kontaktu s toxickými nebo infekčními látkami.

Čistička potrubí se smí použít jen pro trubky uvedených velikostí. Použití čističky potrubí nesprávné velikosti může vést k přetočení, prasknutí nebo zlomení spirály a způsobit zranění.

Před použitím spirálu zkontrolujte, jestli na ní nejsou stopy opotřebení a poškození. Opatřebenou nebo poškozenou spirálu před použitím čističky potrubí vyměňte.

Spirálu nepřetácejte, nezalamujte ani nadměrně neohýbejte. Zlomení spirály může způsobit těžká zranění.

Před použitím přístroje si prohlédněte trubku, která se má čistit. Pokud je to možné, stanovte přístupový(é) bod(y), průměr

a délku potrubí a také vzdálenost od hlavního potrubí, druh ucpaní a přítomnost prostředků na čištění potrubí nebo jiné chemikálie. Pokud se v odtokové trubce nacházejí chemikálie, je nutné provést odpovídající bezpečnostní opatření. Obratě se na výrobce chemikálie, abyste získali potřebné informace.

V případě potřeby zakryjte pracovní prostor. Čištění odtokových trubek může být spinavá záležitost.

Přesvědčte se, že spirála je kompletně navinutá. Tímto způsobem zabráníte tomu, aby spirála udeřila po zapnutí přístroje jako bič.

Přesvědčte se, že se čistička potrubí může umístit ve vzdálenosti maximálně 15 cm od otvoru potrubí. V opačném případě se musí přístup k otvoru potrubí přemístit pomocí vhodného kusu trubky s podobným průměrem. Neodborný přívod spirály může vést k přetočení, prasknutí nebo zlomení spirály.

Čističku potrubí umístěte ve vzdálenosti maximálně 15 cm od otvoru potrubí. Při větší vzdálenosti se dá spirála obtížně kontrolovat a může se přetočit, prasknout nebo zlomit.

Spirálu a spínač ZAP/VYP musí obsluhovat jedna a tatáž osoba.

S výjimkou situací uvedených v tomto návodu se spirála nesmí otáčet směrem dozadu. Otáčení směrem dozadu může vést k poškození spirály a slouží jen k tomu, aby se spirála při ucpaní potrubí znovu vytáhla ven.

Etikety a typové štítky neodstraňujte. Tyto štítky obsahují důležité informace. Pokud jsou tyto štítky s pokyny nečitelné nebo chybějí, obraťte se na servisní centrum pro zákazníky spol. MILWAUKEE, abyste bezplatně získali jejich náhradu.

Další bezpečnostní a pracovní pokyny

Použijte ochranné vybavení. Při práci s elektrickým nářadím používejte vždy ochranné brýle. Doporučujeme rovněž použití součásti ochranného oděvu a ochranné obuvi, jako protiprašné masky, ochranných rukavic, pevné a neklouzající obuvi, ochranné přílby a ochrany sluchu.

Prach vznikající při práci s tímto nářadím může být zdraví škodlivý. Proto by neměl přijít do styku s tělem. Používejte při práci vhodnou ochranou masku.

Nesmějí se opracovávat materiály, které mohou způsobit ohrožení zdraví (např. azbest)

Při zablokování nasazeného nástroje přístroj okamžitě vypněte! Přístroj nezapínejte, pokud je nasazený nástroj zablokovaný; mohl by při tom vzniknout zpětný náraz s vysokým reakčním momentem. Zjistěte příčinu zablokování nasazeného nástroje a odstraňte ji při dodržení bezpečnostních pokynů.

Před zahájením veškerých prací na vrtacím šroubováku vjmout výměnný akumulátor.

Použité nevyhazujte do domovního odpadu nebo do ohně. Milwaukee nabízí ekologickou likvidaci starých článků, ptejte se u vašeho obchodníka s nářadím.

Náhradní akumulátor neskladujte s kovovými předměty, nebezpečí zkratu.

Při extrémní zátěži či vysoké teplotě může z akumulátoru vylékat kapalina. Při zasažení touto kapalinou okamžitě zasažená místa omyjte vodou a mýdlem. Při zasažení očí okamžitě důkladně po dobu alespoň 10min. omývat a neodkladně vyhledat lékaře.

Abyste zabránili nebezpečí požáru způsobeného zkratem, poraněním nebo poškozením výrobku, neponořujte nářadí, výměnnou baterii nebo nabíječku do kapalin a zajistěte, aby do zařízení a akumulátorů nevnikly žádné tekutiny. Korodující nebo vodivé kapaliny, jako je slaná voda, určité chemikálie a bělicí prostředky nebo výrobky, které obsahují bělidlo, mohou způsobit zkrat.

Akumulátor systému M18 nabíjejte pouze nabíječkou systému M18. Nenabíjejte akumulátory jiných systémů.

Náhradní akumulátory ani nabíječku neotvírejte, skladujte je v suchu, chraňte před vlhkem.

OBLAST VYUŽITÍ

Tato čistička potrubí je ruční přístroj určený k čištění sekundárních odtokových potrubí, např. v kuchyních, koupelnách a komorách.

AKUMULÁTORY

Déle nepoužívané akumulátory je nutné před použitím znovu nabít.

Teplota přes 50°C snižuje výkon akumulátoru. Chraňte před dlouhým přehříváním na slunci či u topení.

Kontakty nabíječky a akumulátoru udržujte v čistotě.

Pro optimální životnost je nutné akumulátory po použití plně dobít. K zabezpečení dlouhé životnosti by se akumulátory měly po nabíti vjmout z nabíječky.

Při skladování akumulátoru po dobu delší než 30 dní: Skladujte akumulátor v suchu při cca 27°C. Skladujte akumulátor při cca 30%-50% nabíjecí kapacity. Opakujte nabíjení akumulátoru každých 6 měsíců.

PŘEPRAVA LITHIUM-IONTOVÝCH BATERIÍ

Lithium-iontové baterie spadají podle zákonných ustanovení pod přepravu nebezpečného nákladu.

Přeprava těchto baterií se musí realizovat s dodržováním lokálních, vnitrostátních a mezinárodních předpisů a ustanovení.

Spotřebitelé mohou tyto baterie bez problémů přepravovat po komunikacích.

Komerční přeprava lithium-iontových baterií prostřednictvím přepravních firem podléhá ustanovením o přepravě nebezpečného nákladu. Přípravu k vyexpedování a samotnou přepravu smějí vykonávat jen příslušně vyškolené osoby. Na celý proces se musí odborně dohlížet.

Při přepravě baterií je třeba dodržovat následující:

Zajistěte, aby kontakty byly chráněné a izolované, aby se zamezilo zkratům. Dávejte pozor na to, aby se svazek baterií v rámci balení nemohl sesmeknout. Poškozené a vyteklé baterie se nesmějí přepravovat. Ohledně dalších informací se obraťte na vaši přepravní firmu.

OCHRANA PROTI PŘETÍŽENÍ AKUMULÁTORU

Při přetížení akumulátoru příliš vysokou spotřebou proudu, například při extrémně vysokém kroučícím momentu, začne elektrické nářadí po dobu 5 sekund vibrovat, indikátor dobíjení začne blikat a motor se následně samočinně vypne.

K opětnému zapnutí uvolněte a následně opět stiskněte tlačítkový vypínač.

Při extrémním zatížení dochází k příliš vysokému ohřevu akumulátoru. V tomto případě začnou blikat všechny kontrolky indikátoru dobíjení a blikají tak dlouho, dokud se akumulátor opět neochladí. V okamžiku, kdy indikátor dobíjení přestane blikat, je možné v práci opět pokračovat.

Akumulátor v tomto případě k dobíti a aktivaci vložte opět do nabíječky.

DOPLŇKOVÉ TYPY K POUŽITÍ.

Všimněte si obrázků znázorňujících běžné použití.

Spirálu zavádějte do potrubí lehkým pohybem směrem dopředu a směrem zpět tak dlouho, dokud se neodstraní ucpaní.

UPOZORNĚNÍ: Pokud je nástroj zablokovaný, okamžitě pusťte spínač.

Uvolnění zablokované čističky potrubí:

Nástroj potáhněte dozadu několik centimetrů ve směru otáčení zpět, aby se spirála uvolnila.

Nástroj vypněte a počkejte, dokud se zastaví. Potom nástroj znovu zapněte ve směru otáčení dopředu.

POZOR! Neustálý provoz nástroje ve směru otáčení dozadu může vést k poškození spirály a příslušenství.

MONTÁŽ SPIRÁLY

Montáž spirály:

Podívejte se na obrázky k montáži spirály.

UPOZORNĚNÍ! Spirála je pod tlakem a při montáži se může náhle zrychlit, což může vést ke zraněním. Noste ochranné brýle nebo brýle s boční ochranou, aby se riziko poranění snížilo co nejvíc.

Vždy noste kožené rukavice.

Novou spirálu naviňte ve směru šipky (viz buben) dovnitř bubnu. Dovnitř bubnu kompletně naviňte spirálu.

Přečtěte si návod k obsluze. Používejte vhodné ochranné pomůcky.

Při použití čističky potrubí můžete přijít do kontaktu s chemikáliemi, bakteriemi nebo jinými žíravými toxickými nebo infekčními látkami.

Po použití si ruce vyčistěte teplou vodou a mýdlem.

Vždy použijte vložku do nádoby, aby se zamezilo poškození spirály.



ÚDRŽBA

Před zahájením veškerých prací na vrtacím šroubováku vyjmout výměnný akumulátor.

Volně ležící spirálu utřete hadrem a znovu zasuňte do bubnu.

Před uskladněním čističky potrubí spirálu kompletně vytáhněte ven. Spirálu vyčistěte a volně naviňte.

Používat výhradně příslušenství Milwaukee a náhradní díly Milwaukee. Díly jejichž výměny nebyla popsána, nechte vyměnit v autorizovaném servisu (viz „Záruky / Seznam servisních míst“)

Při potřebě podrobného rozkresu konstrukce, oslovte informaci o typu a čísle přímo servis a nebo výrobce, Techtronic Industries GmbH, Max-Eyth-Straße 10, 71364 Winnenden, Germany.

CE-PROHLÁŠENÍ O SHODĚ

Prohlašujeme na naši výhradní odpovědnost, že produkt popsán v části „Technické údaje“ splňuje všechna příslušná ustanovení směrnic:

2011/65/EU (RoHS), 2006/42/ES, 2014/30/EU

a byly použity následující harmonizované normy

EN 62841-1:2015

EN 62841-3-14:2017

EN 55014-1:2017+A11:2020

EN 55014-2:2015

EN IEC 63000:2018



Winnenden. 2020-11-16

Alexander Krug / Managing Director
Zplnomocněn k sestavování technických podkladů.
Techtronic Industries GmbH
Max-Eyth-Straße 10, 71364 Winnenden, Germany

SYMBOLY



POZOR! VAROVÁN! NEBEZPEČÍ!



Před spuštěním stroje si pečlivě přečtěte návod k používání.



Při práci se strojem neustále nosit ochranné brýle.



Vždy noste ochranné rukavice – upřednostněte rukavice z kůže!



Nebezpečí zranění!
Buben nikdy nenoste jako batoh!



Nebezpečí zranění!
Před spuštěním musí být buben zavřený!



Před zahájením veškerých prací na vrtacím šroubováku vyjmout výměnný akumulátor.



Příslušenství není součástí dodávky, viz program příslušenství.



Elektrická zařízení, baterie/akumulátory se nesmí likvidovat společně s odpadem z domácnosti. Elektrická zařízení, baterie/akumulátory je třeba sbírat odděleně a odevzdat je v recyklačním podniku na ekologickou likvidaci. Na místních úřadech nebo u vašeho specializovaného prodejce se informujte na recyklační podniky a sběrné dvory.

n₀

Volnoběžné otáčky

V

Napájení V~



Stejnosměrný proud



Značka shody v Evropě





Značka shody v Británii



Značka shody na Ukrajině



Značka shody pro oblast Eurasie

Technické údaje Čistička potrubia		M18 FFSDC		
Výrobné číslo	4609 36 02... ... 000001-999999			
Napätie výmenného akumulátora	18 V			
Otáčky naprázdno	0 - 250 min ⁻¹			
Dĺžka špirály	15 m			
Veľkosť špirály	10 mm	13 mm	16 mm	
Priemer potrubia	50 - 75 mm	50 - 100 mm	32 - 75 mm	
Hmotnosť podľa vykonávacieho predpisu EPTA 01/2014 (Li-Ion 5,0 Ah)	18,85 kg	23,65 kg	20,45 kg	
Hmotnosť 	11,0 kg	15,8 kg	12,6 kg	
Hmotnosť 	7,1 kg			
Odporúčaná teplota okolia pre prevádzku	-18°C ... +50°C			
Odporúčaná akupaky	M18B...			
Odporúčané nabíjačky	M12-18...			
Informácia o hluku				
Namerané hodnoty určené v súlade s EN 62841. V triede A posudzovaná hladina hluku prístroja číni typicky:				
Hladina akustického tlaku (Kolísavosť K=3dB(A))	72,4 dB (A)			
Hladina akustického výkonu (Kolísavosť K=3dB(A))	83,4 dB (A)			
Používajte ochranu sluchu!				



Slov

⚠ POZOR! Prečítajte si všetky bezpečnostné upozornenia, pokyny, vyobrazenia a údaje, ktoré dostanete spolu s prístrojom. Zanedbanie dodržiavania Výstražných upozornení a pokynov uvedených v nasledujúcom texte môže mať za následok zásah elektrickým prúdom, spôsobiť požiar a/alebo ťažké poranenie. **Tieto Výstražné upozornenia a bezpečnostné pokyny starostlivo uschovajte na budúce použitie.**

⚠ BEZPEČNOSTNÉ POKYNY PRE ČISTIČKU POTRUBIA

Točiacej sa špirály sa dotýkajte len v rukaviciach odporúčaných výrobcom. Latexové alebo voľné rukavice alebo látka sa môže namotať okolo špirály a spôsobiť zranenia.

Zabezpečte, aby sa hrot špirály nezasekol, kým sa špirála otáča. V opačnom prípade sa môže špirála preťažiť a príliš sa pretočiť, prasknúť alebo zlomiť, čo môže viesť k ťažkým zraneniam.

Ak by odtoková rúra, ktorá má byť čistená, mohla obsahovať chemikálie, baktérie alebo iné toxické látky alebo pôvodcov nákazy, použite ochranné rukavice odporúčané výrobcom, latexové alebo gumené rukavice ako aj ochranné rukavice, ochranu tváre, ochranný odev a ochrannú dýchaciu masku. Potrubie môže obsahovať chemikálie, baktérie alebo iné látky, ktoré sú toxické alebo infekčné a môžu vyvolať poleptanie alebo iné závažné poranenia.

Rešpektujte hygienické predpisy. Počas používania prístroja nejedzte a nefajčite. Po manipulácii alebo po použití prístroju na čistenie potrubia si treba ruky a ostatné časti tela, ktoré sa dostali do kontaktu s obsahom potrubia, vždy umyť teplou vodou a mydlom. Tak zamedzíte vzniku zdravotných rizík na základe kontaktu s toxickými alebo infekčnými látkami.

Čistička potrubia sa smie použiť len pre rúry uvedených veľkostí. Použitie čističky potrubia nesprávnej veľkosti môže viesť k pretočeniu, prasknutiu alebo zlomeniu špirály a spôsobiť zranenia.

Pred použitím špirálu skontrolujte, či na nej nie sú stopy opotrebenia a poškodenia. Opotrebenú alebo poškodenú špirálu pred použitím čističky potrubia vymeňte.

Špirálu nepretáčajte, nezalamujte ani nadmerne neohýbajte. Zlomenie špirály môže spôsobiť ťažké zranenia.

Pred použitím prístroja si prezrite rúru, ktorá má byť čistená. Ak je to možné stanovte prístupový(é) bod(y), priemer a dĺžku potrubia ako aj vzdialenosť od hlavného potrubia, druh upchatia a prítomnosť prostriedkov na čistenie potrubia alebo iné chemikálie. Keď sa v odtokovej rúre nachádzajú chemikálie, treba zrealizovať adekvátne bezpečnostné opatrenia. Obráťte sa na výrobcu chemikálie, aby ste získali potrebné informácie.

V prípade potreby zakryte pracovný priestor. Čistenie odtokových rúr môže byť špinavá záležitosť.

Ubezpečte sa, že špirála je kompletne navinutá. Tak pri zapnutí prístroja zamedzíte úderom špirály ako biča.

Ubezpečte sa, že čistička potrubia sa môže umiestniť vo vzdialenosti maximálne 15 cm od otvoru potrubia.

V opačnom prípade sa musí prístup k otvoru potrubia premostiť pomocou vhodného kusa rúry s podobným priemerom. Neodborný prívod špirály môže viesť k pretočeniu, prasknutiu alebo zlomeniu špirály.

Čističku potrubia umiestnite vo vzdialenosti maximálne 15 cm od otvoru potrubia. Pri väčšej vzdialenosti sa dá špirála ťažko kontrolovať a môže sa pretočiť, prasknúť alebo zlomiť.

Špirálu a spínač ZAP/VYP musí obsluhovať jedna a tá istá osoba.

S výnimkou situácií uvedených v tomto návode sa špirála nesmie otáčať smerom dozadu. Otáčanie smerom dozadu môže viesť k poškodeniu špirály a slúžiť len na to, aby sa špirála pri upchatí potrubia znovu vytiahla von.

Etikety a typové štítky neodstraňujte. Tieto štítky obsahujú dôležité informácie. Keď sú tieto štítky s pokynmi nečitateľné alebo chýbajú, obráťte sa na servisné centrum pre zákazníkov spol. MILWAUKEE, aby ste bezplatne získali ich náhradu.

Ďalšie bezpečnostné a pracovné pokyny

Použite ochranné vybavenie. Pri práci s elektrickým náradím používajte vždy ochranné okuliare. Doporučujeme taktiež použitie súčastí ochranného odevu a ochrannej obuvi, ako sú protiprašná

maska, ochranné rukavice, pevná a neklzajúca obuv, ochranná prilba a ochrana sluchu.

Prach vznikajúci pri práci môže byť škodlivý zdraviu. Pri práci nosiť vhodnú ochrannú masku, aby sa nedostal do ľudského organizmu. Nesmú sa opracovávať materiály, ktoré môžu spôsobiť ohrozenie zdravia (napr. azbest)

Pri zablokovaní nasadeného nástroja prístroj okamžite vypnite! Prístroj nezapínajte, pokiaľ je nasadený nástroj zablokovaný; mohol by pri tom vzniknúť spätný náraz s vysokým reakčným momentom. Príčinu zablokovania nasadeného nástroja zistíte a odstránite so zohľadnením bezpečnostných pokynov.

Pred každou prácou na stroji výmenný akumulátor vyťahnúť.

Opatrované výmenné akumulátory nezahadzujte do ohňa alebo medzi domový odpad. Milwaukee ponúka likvidáciu starých výmenných akumulátorov, ktorá je v súlade s ochranou životného prostredia; informujte sa u Vášho predajcu.

Výmenné akumulátory neskladovať spolu s kovovými predmetmi (nebezpečenstvo skratu).

Pri extrémnych záťažach alebo extrémnych teplotách môže dôjsť k vytekaniu batérieovej tekutiny z poškodeného výmenného akumulátora. Ak dôjde ku kontaktu pokožky s roztokom, postihnuté miesto umyť vodou a mydlom. Ak sa roztok dostane do očí, okamžite ich dôkladne vypláchnuť po dobu min. 10 min a bezodkladne vyhľadať lekára.

Aby ste zabránili nebezpečenstvu požiaru spôsobeného skratom, poraneniam alebo poškodeniam výrobku, neponárajte náradie, výmennú batériu alebo nabíjačku do kvapalín a postarajte sa o to, aby do zariadení a akumulátorov nevnikli žiadne tekutiny. Korodujúce alebo vodivé kvapaliny, ako je slaná voda, určité chemikálie a bieliace prostriedky alebo výrobky, ktoré obsahujú bielidlo, môžu spôsobiť skrat.

Výmenné akumulátory systému M18 nabíjajú len nabíjacími zariadeniami systému M18. Akumulátory iných systémov týmto zariadením nenabíjajú.

Výmenné akumulátory a nabíjacie zariadenia neatvárať a skladovať len v suchých priestoroch. Chrániť pred vlhkosťou.

POUŽITIE PODĽA PREDPISOV

Táto čistička potrubia je ručný prístroj určený na čistenie sekundárnych odtokových potrubí, napr. v kuchyniach, kúpeľniach a komorách.

AKUMULÁTORY

Dlhší čas nepoužívané výmenné akumulátory pred použitím dobiť. Teplota vyššia ako 50°C znižuje výkon výmenného akumulátora. Zabrňte dlhšiemu ohriatiu slnkom alebo kúrením.

Pripájacie kontakty na nabíjacom zariadení a výmennom akumulátore udržiavať čisté.

Pre optimálnu životnosť je nutné akumulátory po použití plne dobiť.

K zabezpečeniu dlhšej životnosti by sa akumulátory mali po nabití vybrať z nabíjačky.

Pri skladovaní akumulátora po dobu dlhšiu než 30 dní: Skladujte akumulátor v suchu pri cca 27°C. Skladujte akumulátor pri cca 30%-50% nabíjacej kapacity. Opakujte nabíjanie akumulátora každých 6 mesiacov.

PREPRAVA LÍTIOVO-IÓNŮVÝCH BATÉRIÍ

Lítiovo-iónové batérie podľa zákoných ustanovení spadajú pod prepravu nebezpečného nákladu.

Preprava týchto batérií sa musí realizovať s dodržiavaním lokálnych, vnútroštátnych a medzinárodných predpisov a ustanovení.

Spotrebiteľia môžu tieto batérie bez problémov prepravovať po cestách.

Komerčná preprava lítiovo-iónových batérií prostredníctvom špedičných firiem podlieha ustanoveniam o preprave nebezpečného nákladu. Prípravu k vyexpedovaniu a samotnú prepravu smú vykonávať iba adekvátne vyškolené osoby. Na celý proces sa musí odborné dohliadať.

Pri preprave batérií treba dodržiavať nasledovné:

Zabezpečte, aby boli kontakty chránené a izolované, aby sa zamedzilo skratom. Dávajte pozor na to, aby sa zväzok batérií v rámci balenia nemohol zošmyknúť. Poškodené a vytečené batérie sa nesmú prepravovať. Kvôli ďalším informáciám sa obráťte na vašu špedičnú firmu.

OCHRANA PROTI PREŤAŽENIU AKUMULÁTORA

Pri preťažení akumulátora príliš vysokou spotrebou prúdu, napríklad pri extrémne vysokom krútiacom momente, začne elektrické náradie po dobu 5 sekúnd vibrovať, indikátor dobijania začne blikať a motor sa následne samočinne vypne.

K opätovnému zapnutiu uvoľníte a následne opäť stlačíte tlačidlový vypínač.

Pri extrémnom zaťažení dochádza k príliš vysokému ohrevu akumulátora. V tomto prípade začnú blikať všetky kontrolky indikátora dobijania a blikajú tak dlho, dokiaľ sa akumulátor opäť neochladí. V okamihu, keď indikátor dobijania prestane blikať, je možné v práci opäť pokračovať.

Akumulátor v tomto prípade k dobitiu a aktivácii vložte opäť do nabíjačky.

DOPLNKOVÉ TIPY K POUŽITIU

Všímajte si obrázky pre bežné použitie.

Špirálu zavádzajte do potrubia ľahkým pohybom dopredu a smerom späť dovtedy, kým sa neodstráni upchatie.

UPOZORNENIE: Keď je nástroj zablokovaný, okamžite pusťte spínač.

Uvoľnenie zablokovanej čističky potrubia:

Nástroj potiahnite späť niekoľko centimetrov v smere otáčania dozadu, aby sa špirála uvoľnila.

Nástroj vypnite a počkajte, kým sa zastaví. Potom nástroj znovu zapnite v smere otáčania dopredu.

POZOR! Neustála prevádzka nástroja v smere otáčania dozadu môže viesť k poškodeniu špirály a príslušenstva.

MONTÁŽ ŠPIRÁLY

Montáž špirály:

Všimajte si obrázky k montáži špirály.

VÝSTRAHA! Špirála je pod tlakom a pri montáži sa môže zrazu zrýchliť, čo môže viesť k zraneniam. Noste ochranné okuliare alebo okuliare s bočnou ochranou, aby sa riziko zranenia znížilo čo najviac.

Vždy noste kožené rukavice.

Novú špirálu navíňte v smere šípky (pozri bubon) do vnútra bubna. Do vnútra bubna kompletne navíňte špirálu.

Prečítajte si návod na obsluhu. Používajte vhodnú ochrannú pomôcku.

Pri použití čističky potrubia môžete prísť do kontaktu s chemikáliami, baktériami alebo inými žieravými toxickými alebo infekčnými látkami.

Po použití si ruky vyčistite teplou vodou a mydlom.

Vždy použite vložku do nádoby, aby sa zamedzilo poškodeniu špirály.

ÚDRŽBA

Pred každou prácou na stroji výmenný akumulátor vyťahnuť.

Voľne ležiacu špirálu utrite handrou a znovu zasuňte do bubna.

Pred uskladnením čističky potrubia špirálu kompletne vyťahnite von. Špirálu vyčistíte a voľne navíňte.

Používať len Milwaukee príslušenstvo a Milwaukee náhradné diely. Súčiastky bez návodu na výmenu treba dať vymeniť v jednom z Milwaukee zákazníckych centier (viď brožúru Záruka/Adresy zákazníckych centier).

Pri udaní typu stroja a čísla nachádzajúceho sa na štítku dá sa v prípade potreby vyžiadať explozívna schéma prístroja od vášho zákazníckeho centra alebo priamo v Techtronic Industries GmbH, Max-Eyth-Straße 10, 71364 Winnenden, Germany.

CE - VYHLÁSENIE KONFORMITY

Na našu výhradnú zodpovednosť vyhlasujeme, že produkt popísaný v časti „Technické údaje“ spĺňa všetky príslušné ustanovenia smerníc:

2011/65/EÚ (RoHS), 2006/42/ES, 2014/30/EÚ

a boli použité nasledovné harmonizované normy

EN 62841-1:2015

EN 62841-3-14:2017

EN 55014-1:2017+A11:2020

EN 55014-2:2015

EN IEC 63000:2018



Winnenden. 2020-11-16

Alexander Krug / Managing Director
Spnomocnený zostaviť technické podklady.
Techtronic Industries GmbH
Max-Eyth-Straße 10, 71364 Winnenden, Germany

SYMBOLY



POZOR! NEBEZPEČENSTVO!



Pred prvým použitím prístroja si pozorne prečítajte návod na obsluhu.



Pri práci so strojom vždy noste ochranné okuliare.



Vždy noste ochranné rukavice – uprednostnite rukavice z kože!



Nebezpečenstvo zranenia!
Bubon nikdy nenoste ako ruksak!



Nebezpečenstvo zranenia!
Pred spustením musí byť bubon zatvorený!



Pred každou prácou na stroji výmenný akumulátor vyťahnuť.



Príslušenstvo - nie je súčasťou štandardnej výbavy, odporúčané doplnenie z programu príslušenstva.



Elektrické zariadenia, batérie/akumulátory sa nesmú likvidovať spolu s odpadom z domácností. Elektrické zariadenia, batérie/akumulátory treba zbierať oddelene a odovzdať ich v recyklačnom podniku na ekologickú likvidáciu. Na miestnych úradoch alebo u vášho špecializovaného predajcu sa spýtajte na recyklačné podniky a zberné dvory.

n₀

Otázky naprázdno

V

Napätie



Jednosmerný prúd



Značka zhody v Európe



Značka zhody v Británii



Značka zhody na Ukrajine

001





Značka zhody pre oblasť Eurázie



Slov

Slovensky

Dane techniczne Urządzenie do czyszczenia rur		M18 FFSDC		
Numer produkcyjny		4609 36 02... ... 000001-999999		
Napięcie baterii akumulatorowej		18 V		
Prędkość bez obciążenia		0 - 250 min ⁻¹		
Długość spirali		15 m		
Wymiar spirali		10 mm	13 mm	16 mm
Średnica rur		50 - 75 mm	50 - 100 mm	32 - 75 mm
Ciężar wg procedury EPTA 01/2014 (Li-Ion 5,0 Ah)		18,85 kg	23,65 kg	20,45 kg
 Ciężar		11,0 kg	15,8 kg	12,6 kg
 Ciężar		7,1 kg		
Zalecana temperatura otoczenia w trakcie eksploatacji		-18°C ... +50°C		
Zalecane zestawy akumulatorowe		M18B...		
Zalecane ładowarki		M12-18...		
Informacja dotycząca szumów				
Zmierzone wartości wyznaczono zgodnie z normą EN 62841. Poziom szumów urządzenia oszacowany jako A wynosi typowo:				
Poziom ciśnienia akustycznego (Niepewność K=3dB(A))		72,4 dB (A)		
Poziom mocy akustycznej (Niepewność K=3dB(A))		83,4 dB (A)		
Należy używać ochroniaczy uszu!				



⚠ OSTRZEŻENIE! Przeczytać wszystkie wskazówki bezpieczeństwa, instrukcje, ilustracje i dane dołączone do urządzenia. Błędy w przestrzeganiu poniższych wskazówek mogą spowodować porażenie prądem, pożar i/lub ciężkie obrażenia ciała. **Należy starannie przechowywać wszystkie przepisy i wskazówki bezpieczeństwa dla dalszego zastosowania.**

⚠ WSKAZÓWKI BEZPIECZEŃSTWA PRZY UŻYCIU SPRZĘTU DO CZYSZCZENIA RUR

Obracając się spirale chwycić tylko przy pomocy rękawic zalecanych przez producenta. Rękawiczki lateksowe lub nieprzylegające ściśle do rąk względnie tkanina mogą zwinąć się wokół spirali i spowodować poważne skaleczenia.

Kontrolować, aby końcówka spirali się nie zacpiła. W przeciwnym razie spirala może zostać przecięta i nadmiernie się skrócić, zagiąć lub złamać, co może spowodować poważne skaleczenia.

Jeżeli wymagająca przeczyszczenia rura odpływowa może zawierać chemikalia, bakterie lub inne substancje toksyczne względnie czynniki zakaźne, to pod zalecanymi przez producenta rękawicami ochronnymi należy używać rękawiczek lateksowych lub gumowych oraz okularów ochronnych, ochrony na twarz, ubrania ochronnego i maski filtracyjnej. Przewody rurowe mogą zawierać chemikalia, bakterie lub inne substancje, które mogą być toksyczne lub spowodować zakażenie i skaleczenia lub wywołać inne obrażenia.

Należy przestrzegać przepisów sanitarnych. Nie jeść ani nie palić podczas pracy urządzenia. Po lub przed używaniem sprzętu do czyszczenia rur umyć ręce oraz inne części ciała mające styczność z zawartością rur zawsze ciepłą wodą i mydłem. W ten sposób uniknie się zagrożenia zdrowia wynikającego z narażenia na działanie substancji toksycznych lub wywołujących infekcje.

Wyżej wymieniony sprzęt do czyszczenia rur należy stosować jedynie do rur o podanych wymiarach. Stosowanie sprzętu do czyszczenia o wymiarach niewłaściwych może doprowadzić do nadmiernego skręcenia, zagięcia lub pęknięcia spirali i spowodować skaleczenie.

Przed użyciem sprawdzić spiralę pod kątem śladów zużycia lub uszkodzeń. Przed zastosowaniem urządzenia czyszczącego do rur wymienić zużyty lub uszkodzoną spiralę na inną.

Spirali nie przekręcać, nie zaginać ani nadmiernie nie wyginać. Pęknięcie spirali może spowodować poważne skaleczenia.

Przed użyciem urządzenia skontrolować przewidzianą do czyszczenia rurę. Określić, na ile to możliwe, punkt(y) dojscia, średnicę oraz długość przewodu, a także odległość do przewodów głównych, rodzaj nieczystości oraz obecność środków do czyszczenia rur lub innych chemikaliów. W przypadku stwierdzenia występowania chemikaliów w rurze odpływowej należy podjąć odpowiednie środki ostrożności. Należy zwrócić się do producenta środka chemicznego celem uzyskania wymaganych informacji.

W razie potrzeby przykryć obszar roboczy. Czyszczenie rur może spowodować pobrudzenie.

Upewnić się, że spirala jest całkowicie nawinięta w celu uniknięcia gwałtownego odbicia spirali przy włączeniu.

Upewnić się, że środek czyszczący może być umieszczony w maksymalnym odstępnie 15 cm od otworu rury. W przeciwnym razie trzeba umożliwić dojscie do otworu rury za pomocą odpowiedniego elementu rury o podobnej średnicy. Niefachowe doprowadzenie spirali może prowadzić do przekręcenia, zagięcia lub pęknięcia spirali.

Urządzenie do czyszczenia rur umieścić w maksymalnym odstępnie 15 cm od otworu rury. Przy większej odległości nie jest możliwa właściwa kontrola spirali, która może się przekręcić, zagiąć lub pęknąć.

Spiralę oraz włącznik/wyłącznik musi obsługiwać jedna i ta sama osoba.

Z wyjątkiem sytuacji wymienionej w tej instrukcji nie wolno spirali odkręcać do tyłu. Odkręcanie do tyłu może doprowadzić do uszkodzenia spirali i służy jedynie do tego, aby móc ponownie wyciągnąć spiralę w przypadku zatkania rury.

Nie usuwać etykietek ani tabliczek znamionowych.

Tabliczki te zawierają ważne informacje. W przypadku kiedy są one nieczytelne lub ich brakuje, należy zwrócić się do serwisu klienta – MILWAUKEE w celu uzyskania ich bezpłatnej wymiany.

Dodatkowe wskazówki bezpieczeństwa i instrukcje robocze

Stosować wyposażenie ochronne. Przy pracy maszyną zawsze nosić okulary ochronne. Zalecana jest odzież ochronna, jak maska pyłochronna, rękawice ochronne, mocne i chroniące przed poślizgiem obuwie, kask i ochronniki słuchu.

Kurz powstający przy pracy z tym elektronarzędziem może być szkodliwy dla zdrowia, w związku z tym nie powinien dotrzeć do ciała. Nosić odpowiednią maskę przeciwpyłową.

Nie wolno obrabiać materiałów, które mogą być przyczyną zagrożenia zdrowia (na przykład azbestu).

W przypadku zablokowania narzędzia nasadzanego należy natychmiast wyłączyć urządzenie! Nie należy ponownie włączać urządzenia tak długo, jak długo narzędzie nasadzone jest zablokowane; przy tym mógłby powstać odrzut zwrotny o dużym momencie reakcyjnym. Należy wykręcić i usunąć przyczynę zablokowania narzędzia nasadzanego uwzględniając wskazówki dotyczące bezpieczeństwa.

Przed przystąpieniem do jakichkolwiek prac na elektronarzędziu należy wyjąć wkładkę akumulatorową.

Zużytych akumulatorów nie wolno wrzucać do ognia ani traktować jako odpadów domowych. Milwaukee oferuje ekologiczną utylizację zużytych akumulatorów.

Nie przechowywać akumulatorów wraz z przedmiotami metalowymi (niebezpieczeństwo zwarcia).

W skrajnych warunkach temperaturowych lub przy bardzo dużym obciążeniu może dochodzić do wycieku kwasu akumulatorowego z uszkodzonych baterii akumulatorowych. W przypadku kontaktu z kwasem akumulatorowym należy natychmiast przemyć miejsce kontaktu wodą z mydłem. W przypadku kontaktu z oczami należy dokładnie przepłukiwać oczy przynajmniej przez 10 minut i zwrócić się natychmiast o pomoc medyczną.

Aby uniknąć niebezpieczeństwa pożaru, obrażeń lub uszkodzeń produktu na skutek zwarcia, nie wolno zanurzać narzędzia, akumulatora wymiennego ani ładowarki w cieczach i należy zatroszczyć się o to, aby do urządzeń i akumulatorów nie dostały się żadne ciecze. Zwarcie spowodować mogą korodujące lub przewodzące ciecze, takie jak woda morską, określone chemikalia i wybielacze lub produkty zawierające wybielacze.

Akumulatory Systemu M18 należy ładować wyłącznie przy pomocy ładowarek Systemu M18. Nie ładować przy pomocy tych ładowarek akumulatorów innych systemów.

Nie otwierać wkładek akumulatorowych i ładowarek.

Przechowywać w suchych pomieszczeniach. Chronić przed wilgocią.

WARUNKI UŻYTKOWANIA

Ten sprzęt czyszczący jest urządzeniem do czyszczenia pobocznych rur odpływowych, np. w kuchniach, łazienkach i pomieszczeniach gospodarczych.

BATERIE AKUMULATOROWE

Akumulatory, które nie były przez dłuższy czas użytkowane, należy przed użyciem naładować.

W temperaturze powyżej 50°C następuje spadek osiągniętych wartości pojemności akumulatorowej. Uniknąć długotrwałego wystawienia na oddziaływanie ciepła lub promieni słonecznych (niebezpieczeństwo przegrzania).

Styki ładowarek i wkładek akumulatorowych należy utrzymywać w czystości

Dla zapewnienia optymalnej żywotności akumulatory po użyciu należy naładować do pełnej pojemności.

Dla zapewnienia możliwie długiej żywotności akumulatory należy wyjąć z ładowarki po ich naładowaniu.

W przypadku składowania akumulatorów dłużej aniżeli 30 dni: Przechowywać je w suchym miejscu w temperaturze ok. 27°C. Przechowywać je w stanie naładowanym do ok. 30% - 50%. Ładować je ponownie co 6 miesięcy.

TRANSPORT AKUMULATORÓW LITOWO-JONOWYCH

Akumulatory litowo-jonowe podlegają ustawowemu przepisom dotyczącym transportu towarów niebezpiecznych.

Transport tych akumulatorów winien odbywać się przy przestrzeganiu lokalnych, krajowych i międzynarodowych rozporządzeń i przepisów.

Odbiorcom nie wolno transportować tych akumulatorów po drogach ot tak po prostu.

Komercyjny transport akumulatorów litowo-jonowych przez przedsiębiorstwa spedycyjne podlega przepisom dotyczącym transportu towarów niebezpiecznych. Przygotowania do wysyłki oraz transport mogą być wykonywane wyłącznie przez odpowiednio przeszkolone osoby. Cały proces winien odbywać się pod fachowym nadzorem.

W czasie transportu akumulatorów należy przestrzegać następujących punktów:

Celem uniknięcia zwarć należy upewnić się, że zestyki są zabezpieczone i zaizolowane. Zwracać uwagę na to, aby zespół akumulatorów nie mógł się przemieszczać we wnętrzu opakowania. Nie wolno transportować akumulatorów uszkodzonych lub z wyciekającym z elektrolitem. Odnośnie dalszych wskazówek należy zwrócić się do swojego przedsiębiorstwa spedycyjnego.

ZABEZPIECZENIE PRZECIĄŻENIOWE AKUMULATORA

W przypadku przeciążenia akumulatora przez bardzo duży pobór prądu, na przykład wskutek ekstremalnie dużych momentów obrotowych, narzędzie ręczne z napędem elektrycznym wibruje przez 5 sekund, miga wskaźnik ładowania i narzędzie samoczynnie wyłącza się.

W celu ponownego włączenia narzędzia należy zwolnić przycisk przełączający, a następnie ponownie go włączyć. Przy ekstremalnych obciążeniach akumulator nagrzewa się za mocno. W takim przypadku wszystkie lampki wskaźnika ładowania migają tak długo, aż akumulator ochłodzi się. Po zgaśnięciu wskaźnika ładowania można kontynuować pracę.

Wówczas należy wetknąć akumulator do ładowarki, aby go ponownie naładować i aktywować.

DODATKOWE WSKAZÓWKI W CZASIE UŻYTKOWANIA

Przy normalnym użytkowaniu kierować się rysunkami.

Wprowadzić spiralę do rury poruszając ją lekko do przodu i do tyłu do momentu usunięcia niedrożności rury.

WSKAZÓWKA: Jeżeli urządzenie blokuje, należy natychmiast puścić przełącznik.

Zwolnienie zablokowanego urządzenia czyszczącego.

Pociągnąć urządzenie w kierunku wstecznym o kilka centymetrów do tyłu w celu zwolnienia spirali.

Wyłączyć urządzenie i zaczekać, aż się całkowicie zatrzyma.

Następnie ponownie włączyć urządzenie w kierunku obrotu do przodu.

ZACHOWAĆ OSTROŻNOŚĆ! Ciągła praca urządzenia w kierunku wstecznym może prowadzić do uszkodzenia spirali i akcesoriów.

ZAMONTOWAĆ SPIRALĘ

Zamontować spiralę:

Przy montażu spirali kierować się rysunkami.

OSTRZEŻENIE! Spirala znajduje się pod ciśnieniem i w czasie montażu może nagle wystrzelić, co może prowadzić do skałceń.



Należy nosić okulary ochronne albo okulary z bocznymi osłonami w celu zminimalizowania ryzyka odniesienia obrażeń.

Zawsze zakładając rękawice skórzane.

Zwinąć nową spiralę w kierunku wskazanym strzałką (patrz bęben) do wewnętrznego bębna. Spiralę zwinąć całkowicie do wewnętrznego bębna.

Należy przeczytać instrukcję obsługi. Należy stosować odpowiednie wyposażenie ochronne.

W trakcie stosowania urządzenia do czyszczenia rur mogą mieć Państwo kontakt z chemikaliami, bakteriami lub innymi substancjami żrącymi, toksycznymi czy zakaźnymi.

Po użyciu należy umyć ręce w ciepłej wodzie z mydłem.

Aby zapobiec uszkodzeniu spirali, należy zawsze stosować wkład zbiornika.

UTRZYMANIE I KONSERWACJA

Przed przystąpieniem do jakichkolwiek prac na elektronarzędziu należy wyjąć wkładkę akumulatorową.

Luźną spiralę wytrzeć ścierką i ponownie wsunąć w bęben.

Przed schowaniem urządzenia do czyszczenia rur należy całkowicie wyjąć spiralę. Oczyszczyć spiralę i luźno zwinąć.

Używać tylko i wyłącznie wyposażenia dodatkowego Milwaukee i części zamiennych Milwaukee. Gdyby trzeba było wymienić części, które nie zostały opisane, należy skontaktować się z przedstawicielem serwisu Milwaukee (patrz wykaz adresów punktów usługowych/gwarancyjnych).

Na życzenie można otrzymać rysunek widoku zespołu rozebranego.

Przy zamawianiu należy podać numer oraz typ elektronarzędzia umieszczony na tabliczce znamionowej. Zamówienia można dokonać albo u lokalnych przedstawicieli serwisu, albo bezpośrednio w Techtronic Industries GmbH, Max-Eyth-Straße 10, 71364 Winnenden, Germany.

DEKLARACJA ZGODNOŚCI CE

Oświadczamy na naszą wyłączną odpowiedzialność, że produkt opisany pod „Dane techniczne” spełnia wszystkie istotne przepisy dyrektyw:

2011/65/UE (RoHS), 2006/42/WE, 2014/30/UE

i zastosowano następujące zharmonizowane normy

EN 62841-1:2015

EN 62841-3-14:2017

EN 55014-1:2017+A11:2020

EN 55014-2:2015

EN IEC 63000:2018



Winnenden. 2020-11-16

Alexander Krug / Managing Director
Upelnomocniony do zestawienia danych technicznych
Techtronic Industries GmbH
Max-Eyth-Straße 10, 71364 Winnenden, Germany

SYMBOLE



UWAGA! OSTRZEŻENIE NIEBEZPIECZEŃSTWO!



Przed uruchomieniem elektronarzędzia zapoznać się uważnie z treścią instrukcji.



Podczas pracy należy zawsze nosić okulary ochronne.



Nosić stale rękawice ochronne - najlepiej skórzane!



Ryzyko obrażeń!

Nigdy nie należy nosić bębna w taki sposób, jak plecak!



Ryzyko obrażeń!

Przed uruchomieniem należy zamknąć bęben!



Przed przystąpieniem do jakichkolwiek prac na elektronarzędziu należy wyjąć wkładkę akumulatorową.



Wyposażenie dodatkowe dostępne osobno.



Urządzenia elektryczne, baterie/akumulatory nie mogą być usuwane razem z odpadami pochodzącymi z gospodarstw domowych. Urządzenia elektryczne i akumulatory należy gromadzić oddzielnie i w celu usuwania ich do odpadów zgodnie z wymaganiami środowiska naturalnego oddawać do przedsiębiorstwa utylizacyjnego. Proszę zasięgnąć informacji o centrach recyklingowych i punktach zbiorczych u władz lokalnych lub u wyspecjalizowanego dostawcy.

n₀

Prędkość bez obciążenia

V

Napięcie V~



Prąd stały



Europejski Certyfikat Zgodności





Brytyjski Certyfikat Zgodności



Ukraiński Certyfikat Zgodności



Euroazjatycki Certyfikat Zgodności

Műszaki adatok Csőtisztító	M18 FFSDC		
Gyártási szám	4609 36 02... ... 000001-999999		
Akkumulátor feszültség	18 V		
Üresjárat fordulatszám	0 - 250 min ⁻¹		
Spirál hossz	15 m		
Spirál méret	10 mm	13 mm	16 mm
Csőátmérő	50 - 75 mm	50 - 100 mm	32 - 75 mm
Súly a 01/2014 EPTA-eljárás szerint (Li-Ion 5,0 Ah)	18,85 kg	23,65 kg	20,45 kg
 Súly	11,0 kg	15,8 kg	12,6 kg
 Súly	7,1 kg		
Üzemeléshez ajánlott környezeti hőmérséklet	-18°C ... +50°C		
Ajánlott akkucsomagok	M18B...		
Ajánlott töltőkészülékek	M12-18...		
Zajinformáció	A köölt értékek megfelelnek az EN 62841 szabványnak. A készülék munkahelyi zajszintje tipikusan:		
Hangnyomás szint (K bizonytalanság=3dB(A))	72,4 dB (A)		
Hangteljesítmény szint (K bizonytalanság=3dB(A))	83,4 dB (A)		
Hallásvédő eszköz használata ajánlott!			



▲ FIGYELMEZTETÉS! Olvasson el minden, a géppel együtt megkapott biztonsági utalást, utasítást, ábrázolást és adatot. A következőkben leírt előírások betartásának elmulasztása áramütésekhez, tűzhöz és/vagy súlyos testi sérülésekhez vezethet. Kérjük a későbbi használatra gondosan őrizze meg ezeket az előírásokat.

▲ CSŐTISZÍTÓ GÉPEKRE VONATKOZÓ BIZTONSÁGI ÚTMUTATÁSOK

A forgó spirált csak a gyártó által ajánlott kesztyűvel fogja meg. A latexből készült vagy laza viseletű kesztyűket, ill. kendőket a spirál feltekerheti, és súlyos sérüléseket okozhat.

Gondoskodjon róla, hogy a spirál csúcsa ne akadjon be, míg a spirál forog. Ellenkező esetben a spirál túlterhelődhet, és túlzott mértékben megtekeredhet, megtörhet vagy eltörhet, amely súlyos sérüléshez vezethet.

Ha a megtisztítandó lefolyócső vegyszereket, baktériumokat vagy más mérgező anyagokat, ill. kórokozókat tartalmazhat, akkor használjon a gyártó által javasolt védőkesztyűk közül latex- vagy gumikesztyűt, valamint védőszemüveget, arcvédőt, védőruházatot és légzésvédő maszkot. A csővezetékek vegyszereket, baktériumokat vagy más olyan anyagokat tartalmazhatnak, amelyek mérgezőek vagy fertőzésveszélyesek lehetnek, égési sérüléseket vagy más súlyos sérüléseket okozhatnak.

Tartsa be a higiéniai előírásokat. Ne egyen és ne dohányozzon, miközben a készüléket használja. A csőtisztító készülékek kezelését vagy használatát követően meleg vizel és szappannal mosson kezet, ill. mossa meg azon egyéb testrészeit, amelyek a cső tartalmával érintkeztek. Így elkerülheti a mérgező vagy fertőző anyagokkal való érintkezésből adódó egészségügyi kockázatokat.

A csőtisztító készülék csak a megadott méretű csövekhez szabad használni. Nem megfelelő méretű csőtisztító használata a spirál megtekeredését, megtörését vagy eltörését, és sérüléseket okozhat.

Használat előtt ellenőrizze a spirált kopás és sérülések tekintetében. Cserélje ki az elkopott vagy sérült spirált a csőtisztító készülék használata előtt.

A spirált ne tekerje el, ne törje meg és ne hajlítsa meg túlzottan. A spirál törése súlyos sérüléseket okozhat.

A készülék használata előtt ellenőrizze a megtisztítandó csövet. Amennyiben lehetséges, határozza meg a hozzáférési pont(oka)t, a cső átmérőjét és hosszát, valamint a fő vezetékektől való távolságát, a dugulás jellegét, továbbá csőtisztító szerek vagy más vegyszerek jelenlétét. Amennyiben a lefolyócsőben vegyszerek találhatók, megfelelő óvintézkedéseket kell tenni. A szükséges információkért forduljon a vegyszer gyártójához.

Szükség esetén takarja le a munkaterületet. A lefolyócsőtisztítás sok kosszal járhat.

Bizonyosodjon meg arról, hogy a spirál teljesen fel van tekerve. Így elkerülheti a spirál ostorszerű csapását bekapcsoláskor.

Bizonyosodjon meg arról, hogy a csőtisztítót legfeljebb 15 cm-re el tudja helyezni a csőnyílás előtt. Egyéb esetében a csőnyíláshoz való hozzáférést egy hasonló átmérőjű, megfelelő csődarabbal kell áthidalni. A spirál szakszerűtlen bevezetése a spirál megtekeredését, megtörését vagy eltörését eredményezheti.

Helyezze el a csőtisztító készüléket a csőnyílás előtt legfeljebb 15 cm távolságban. Nagyobb távolság esetén a spirál nehezen kontrollálható, megtekeredhet, megtörhet vagy eltörhet.

A spirál be-/ki kapcsolóját egy és ugyanazon személynek kell kezelnie.

A jelen utasításban írt helyzetek kivételével a spirált nem szabad visszafelé forgatni. A visszafelé történő forgatás a spirál sérüléséhez vezethet, és csak arra szolgál, hogy a spirált csődugulásnál ismét kihúzzuk.

Ne távolítsa el a címkéket és típusablákat. Ezek a jelzések fontos információkat tartalmaznak. Ha ezek a címkék már nem olvashatók vagy hiányoznak, forduljon a MILWAUKEE ügyfélszolgálatához az ingyenes pótlás érdekében.

További biztonsági és munkavégzési utasítások

Használjon védőfelszerelést! Ha a gépen dolgozik, mindig hordjon védőszemüveget! Javasoljuk a védőruházat, úgymint porvédő maszk, védőcipő, erős és csúszásbiztos lábbeli, sisak és hallásvédő használatát.

A munka során keletkező por gyakran egészségre káros, ezért ne kerüljön a szervezetbe. Hordjon e célra alkalmas porvédőmaszkot. Nem szabad olyan anyagokat megmunkálni, amelyek egészségre veszélyesek (pl. azbesztest).

A betétszám elakadásakor azonnal ki kell kapcsolni a készüléket! Addig ne kapcsolja vissza a készüléket, amíg a betétszám elakadása fennáll; ennek során nagy ellennyomatékú visszarúgás történhet. Határozza és szüntesse meg a betétszám elakadásának okát a biztonsági útmutatások betartása mellett.

Karbantartás, javítás, tisztítás, stb. előtt az akkumulátort ki kell venni a készülékből.

A használt akkumulátort ne dobja tűzbe vagy a háztartási szemétkébe. Tájékozódjon a szakszerű megsemmisítés helyi lehetőségeiről. Az akkumulátort ne tárolja együtt fém tárgyakkal. (Rövidzárlat veszélye).

Akkumulátor sav folyhat a sérült akkumulátorból extrém terhelés alatt, vagy extrém hő miatt. Ha az akkumulátor sav a bőrére kerül azonnal mossa meg szappanos vízzel. Szembe kerülés esetén folyóvíz alatt tartsa a szemét minimum 10 percig és azonnal forduljon orvoshoz.

A rövidzárlat általi tűz, sérülések vagy termékkárosodások veszélye elkerülésére ne merítse a szerszámot, a cserélhető akkut vagy a töltőkészüléket folyadékokba, és gondoskodjon arról, hogy ne hatoljanak folyadékok a készülékekbe és az akkukba. A korrozív hatású vagy vezetőképes folyadékok, mint pl. a sós víz, bizonyos vegyi anyagok, fehérítők vagy fehérítő tartalmú termékek, rövidzárlatot okozhatnak.

Az M18 elnevezésű rendszerhez tartozó akkumulátorokat kizárólag a rendszerhez tartozó töltővel töltsse fel. Ne használjon más rendszerbe tartozó töltőt.

Az akkumulátort, töltőt nem szabad megbontani és kizárólag száraz helyen szabad tárolni. Nedvességtől óvni kell.

RENDELTELTÉSSZERŰ HASZNÁLAT

Ez a csőtisztító pl. konyhákban, fürdőszobákban, háztartási helyiségekben lévő szekunder lefolyócsövek tisztítására szolgáló kézi üzemi készülék.

AKKUK

A hosszabb ideig üzemben kívül lévő akkumulátort használat előtt ismételtlen fel kell tölteni.

50°C feletti hőmérsékletnél csökkenhet az akkumulátor teljesítménye. Kerülni kell a túlzottan meleg helyen vagy napon történő hosszabb idejű tárolást.

A töltő és az akkumulátor csatlakozóit mindig tisztán kell tartani.

Az optimális élettartam érdekében használat után az akkukat teljesen fel kell tölteni.

A lehetőleg hosszú élettartamhoz az akkukat feltöltés után ki kell venni a töltőkészülékből.

Az akku 30 napot meghaladó tárolása esetén: Az akkut kb. 27 °C-on, száraz helyen kell tárolni. Az akkut kb. 30-50%-os töltöttségi állapotban kell tárolni. Az akkut 6 havonta újra fel kell tölteni.

LÍTIUM-ION AKKUK SZÁLLÍTÁSA

A lítium-ion akku a veszélyes áruk szállítására vonatkozó törvényi rendelkezések hatálya alá tartoznak.

Az ilyen akku szállításának a helyi, országos és nemzetközi előírások és rendelkezések betartása mellett kell történnie.

A fogyasztók minden további nélkül szállíthatják az ilyen akkukat közúton.

A lítium-ion akku szállítványozási vállalatok általi kereskedelmi célú szállítására a veszélyes áruk szállítására vonatkozó rendelkezések érvényesek. A kiszállítás előkészítését és a szállítást kizárólag megfelelő képzettségű személyek végezhetik. A teljes folyamatnak szakmai felügyelet alatt kell történnie.

A következő pontokat kell figyelembe venni akku szállításakor:

Biztosítsa, hogy a rövidzárlatok elkerülése érdekében az érintkezők védve és szigetelve legyenek. Ügyeljen arra, hogy az akkucsomag ne tudjon elcsúszni a csomagoláson belül. Tilos sérült vagy kifolyt akkukat szállítani. További útmutatásokért forduljon szállítványozási vállalatához.

AZ AKKUMULÁTOR TÚLTERHELÉS ELLENI VÉDELME

Az akku nagyon nagy áramfelhasználása következtében fellépő túlterhelése esetén - pl. rendkívül magas forgatónyomatékok, a fúró megszorulása, hirtelen leállás vagy rövidzárlat miatt – az elektromos szerszám 5 másodpercen keresztül vibrál, a töltéskijelző villog és az elektromos szerszám magától kikapcsol.

Az újabbli bekapcsoláshoz engedje el a nyomókapcsolót, majd kapcsolja be ismét.

Rendkívüli terheléseknél az akku túlságosan felmelegszik. Ebben az esetben a töltéskijelző minden lámpája addig villog, amíg az akku le nem hűl. Ha a töltéskijelző kialszik, utána tovább lehet dolgozni.

Az ismételt feltöltéshez és aktiváláshoz ekkor dugja az akkut a töltőkészülékbe.

TÖVÁBBI TIPPEK A HASZNÁLATHOZ

Vegye figyelembe az ábrákat a normál használat érdekében.

A spirált enyhén előre-hátra mozgatva vezesse be a csöbe, míg a dugulás meg nem szűnik.

MEGJEGYZÉS: Ha a szerszám megszorul, a kapcsolót azonnal el kell engedni.

A megszorult csőtisztító kioldása:

Húzza vissza a szerszámot hátrafelé forgásirányban néhány centimétert, hogy a spirál kioldódjon.

Kapcsolja ki a szerszámot és várja meg, hogy megálljon. Ezt követően ismét előre forgással kapcsolja be a szerszámot.

VIGYÁZAT! A szerszám folyamatosan visszafelé forgással történő üzemeltetése a spirál és a tartozékok sérülését okozhatja.

A SPIRÁL FELSZERELÉSE

A spirál felszerelése:

A spirál felszereléséhez kövesse az ábrákat.

FIGYELEM! A spirál nyomás alatt áll, és szerelés közben hirtelen szétugorhat, ami sérülésekhez vezethet. A sérülésveszély minimálisra csökkentése érdekében viseljen védőszemüveget vagy oldalvédős szemüveget.

Mindig bőrkesztyűt viseljen.

Az új spirált a nyíl irányában (lásd a dobon) tekerje a belső dobba. A spirált teljes egészében tekerje bele a belső dobba.

Olvassa el az üzemeltetési útmutatót. Használjon megfelelő védőfelszerelést.

A csőtisztító tárolása előtt a spirált teljesen ki kell húzni. Tisztítsa meg és lazán tekerje fel a spirált.

Használat után meleg vízzel és szappannal kell kezelt mosni.

A spirál sérülésének elkerülésére mindig használja a tartálybetétet.

KARBANTARTÁS

Karbantartás, javítás, tisztítás, stb. előtt az akkumulátort ki kell venni a készülékből.

Törölje le a kihúzott spirált egy kendővel, majd tolja ismét a dobba. A csőtisztító tárolása előtt a spirált teljesen ki kell húzni. Tisztítsa meg és lazán tekerje fel a spirált.

Csak Milwaukee tartozékokat és Milwaukee pótalkatrészeket szabad használni. Az olyan elemeket, melyek cseréje nincs ismertetve, cseréltesse ki Milwaukee szervizzel (lásd Garancia/Ügyfélszolgálat címei kiadványt).

Szükség esetén a készülékek robbantott ábráját - a készülék típusa és azonosító száma alapján a területileg illetékes Milwaukee márkaszerviztől vagy közvetlenül a gyártótól (Techtronic Industries GmbH, Max-Eyth-Straße 10, 71364 Winnenden, Germany) lehet kérni.

CE-AZONOSSÁGI NYILATKOZAT

Kizárólagos felelősségünk alapján kijelentjük, hogy a „Műszaki adatok” fejezetben leírt termék megfelel a irányelvek összes vonatkozó rendelkezésének:

2011/65/EU (RoHS), 2006/42/EK, 2014/30/EU

harmonizált szabvány és a

EN 62841-1:2015

EN 62841-3-14:2017

EN 55014-1:2017+A11:2020

EN 55014-2:2015

EN IEC 63000:2018



Winnenden. 2020-11-16

Alexander Krug / Managing Director

Műszaki dokumentáció összeállításra felhatalmazva

Techtronic Industries GmbH

Max-Eyth-Straße 10, 71364 Winnenden, Germany

SZIMBÓLUMOK



FIGYELEM! FIGYELMEZTETÉS! VESZÉLY!



Kérjük alaposan olvassa el a tájékoztatót mielőtt a gépet használja.



Munkavégzés közben ajánlatos védőszemüveget viselni.



Mindig viseljen – lehetőleg bőrből készült – kesztyűt!



Sérülésveszély!

A dobót soha nem szabad háztízakként hordozni!



Sérülésveszély!

Elindítás előtt a dobknak zárva kell lennie!



Karbantartás, javítás, tisztítás, stb. előtt az akkumulátort ki kell venni a készülékből.



Azokat a tartozékokat, amelyek gyárilag nincsenek a készülékhez mellékelve, külön lehet megrendelni.



Az elektromos eszközöket, elemeket/akkukat nem szabad a háztartási hulladékkal együtt ártalmatlanítani. Az elektromos eszközöket és akkukat szelektíven kell gyűjteni, és azokat környezetbarát ártalmatlanítás céljából hulladékhasznosító üzemben kell leadni. A helyi hatóságoknál vagy szakkereskedőjénél tájékozódjon a hulladékudvarokról és gyűjtőhelyekről.

n₀ Üresjáratú fordulatszám

V Volt

— — Egyenáram



Európai megfelelőségi jelölés



Egyesült Királyságbeli megfelelőségi jelölés





Ukrán megfelelőségi jelölés



Eurázsiai megfelelőségi jelölés



Tehnični podatki čistilec cevi		M18 FFSDC		
Proizvodna številka	4609 36 02... ... 000001-999999			
Napetost izmenljivega akumulatorja	18 V			
Število vrtljajev v prostem teku	0 - 250 min ⁻¹			
Dolga spirala	15 m			
Velikost spirale	10 mm	13 mm	16 mm	
Premer cevi	50 - 75 mm	50 - 100 mm	32 - 75 mm	
Teža po EPTA-proceduri 01/2014 (Li-Ion 5,0 Ah)	18,85 kg	23,65 kg	20,45 kg	
 Teža	11,0 kg	15,8 kg	12,6 kg	
 Teža	7,1 kg			
Priporočena temperatura okolice za obratovanje	-18°C ... +50°C			
Priporočeni kompleti akumulatorjev	M18B...			
Priporočeni polnilniki	M12-18...			
Informacije o hrupnosti				
Vrednosti merjenja ugotovljene ustrezno z EN 62841. Raven hrupnosti naprave ovrednotena z A, naša tipično:				
Nivo zvočnega tlaka (Nevarnost K=3dB(A))				
Višina zvočnega tlaka (Nevarnost K=3dB(A))				
Nosite zaščito za sluh!				



Slo

⚠ OPOZORILO! Preberite vse varnostne napotke, navodila, prikaze in podatke, ki ste jih prejeli skupaj z napravo. Napake zaradi neupoštevanja spodaj navedenih opozoril in napotil lahko povzročijo električni udar, požar in/ali težke telesne poškodbe. **Vsa opozorila in napotila shranite, ker jih boste v prihodnje še potrebovali.**

⚠ VARNOSTNA OPOZORILA ČISTILCA CEVI

Trtečo se spiralo prijemajte zgolj s strani proizvajalca priporočenimi rokavicami. Rokavice iz lateksa ali ohlapno nameščene rokavice oz. krpe se lahko ovijejo okoli spirale in povzročijo težke poškodbe.

Zagotovite, da se konica spirale ne bo zatikala, medtem ko se spirala vrti. V nasprotnem primeru se spirala lahko preobremeni in se prekomerno previje, prepogne ali prelomi, kar lahko privede do težkih poškodb.

Kadar bi čiščena odtočna cev lahko vsebovala kemikalije, bakterije ali druge toksične snovi oz. bi utegnila vsebovati povzročitelje infekcij, uporabljajte s strani proizvajalca priporočene zaščitne rokavice, rokavice iz lateksa ali gume, kakor tudi zaščitna očala, zaščito obraza, zaščitna oblačila in masko za zaščito dihal. Cevodovi lahko vsebujejo kemikalije, bakterije ali druge snovi, ki so toksične ali povzročajo infekcije in razjede ali lahko izzovejo druge težke poškodbe.

Upoštevajte higienske predpise. Med uporabo naprave ne jejte in ne kadite. Po delu ali uporabi naprav za čiščenje cevi, je potrebno roke in preostale dele telesa, ki so prišli v stik vsebine cevi zmeraj oprati s toplo vodo in milom. Tako se izognemo zdravstvenim tveganjem zaradi stika s toksičnimi osnovni ali snovmi, ki povzročajo infekcije.

Čistilec cevi naj se uporablja zgolj za cevi navedenih velikosti. Uporaba čistilca cevi napačne velikosti lahko privede do previtja, prepogiba ali preloma spirale in poškodb.

Pred uporabo pregledite spiralo glede na sledi obrabe in poškodbe. Obrabljeno ali poškodovano spiralo nadomestite pred uporabo čistilca cevi.

Spirale ne previjte, prepognite ali prekomerno upogibajte. Prelom spirale lahko povzroči težke poškodbe.

Čiščeno cev pregledite pred uporabo naprave. Koliikor je mogoče določite dostopne točke, premer in dolžino cevodova kakor tudi oddaljenost do glavne napeljave, vrsto zamašitve in prisotnost sredstev za čiščenje cevi ali drugih kemikalij. V kolikor se v odtočni cevi nahajajo kemikalije, je potrebno izvesti ustrezne varnostne ukrepe. Za potrebne informacije se obrnite na proizvajalca kemikalije.

Delovno območje po potrebi prekrijte. Čiščenje odtočnih cevi je lahko umazano opravilo.

Prepričajte se, da je spirala popolnoma navita. Tako preprečite bičasto udrihanje spirale pri vklopu.

Prepričajte se, da bo čistilec cevi lahko nameščen na razdalji maksimalno 15 cm od odprtine cevi. V nasprotnem primeru je potrebno dostop do cevi premostiti s primernim cevnim elementom podobnega premera. Nepravilno vodenje spirale lahko privede do previtja, prepogiba ali preloma spirale.

Čistilec cevi namestite na razdalji maksimalno 15 cm od odprtine cevi. Pri večji razdalji je spiralo zelo težko nadzorovati in se lahko previje, prepogne ali prelomi.

Spiralo in stikalo za vklop/izklop naj upravlja ena in ista oseba.

Z izjemo v teh navodilih navedenih situacij spirale ni dovoljeno vrteti v nasprotno smer. Vzratno vrtenje lahko privede do poškodb spirale in služi zgolj temu, da lahko spiralo v primeru zamašitve ponovno izvlečemo.

Etiket in tipskih tablic ne odstranjujte. Te tablice vsebujejo pomembne informacije. Kadar te oznake niso več berljive ali manjkajo, se obrnite na MILWAUKEE-servisno službo, za prejem brezplačnega nadomestila.

Nadaljna varnostna in delovna opozorila

Uporabite zaščitno opremo. Pri delu s strojem vedno nosite zaščitna očala. Priporočajo se zaščitna oblačila, kot npr. maska za zaščito proti prahu, zaščitne rokavice, trdno in neдрсеče obuvalo, čelada in zaščita za sluh.

Prah, ki nastaja pri delu, je pogosto zdravju škodljiv in naj ne zaide v telo. Nosite ustrezno masko proti prahu.

Slovensko

Obdelava materialov, iz katerih izhaja ogroženost zdravja (npr. azbest), ni dovoljena.

V primeru blokade orodja napravite takoj izklop! Naprave ponovno ne vklopljajte dokler je orodje blokirano; pri tem bi lahko prišlo do povratnega udara z velikim reakcijskim momentom. Ugotovite in odpravite vzroke blokade orodja ob upoštevanju varnostnih navodil.

Pred vsemi deli na stroji odstranite izmenljivi akumulator.

Izrabljenih izmenljivih akumulatorjev ne mečite v ogenj ali v gospodinjnske odpadke. Milwaukee nudi okolju prijazno odlaganje starih izmenljivih akumulatorjev; prosimo povprašajte vašega strokovnega trgovca.

Izmenljivih akumulatorjev ne hranite skupaj s kovinskimi predmeti (nevarnost kratkega stika).

Pod ekstremno obremenitvijo ali ob ekstremni temperaturi iz poškodovanega izmenljivega akumulatorja lahko izteka akumulatorska tekočina. Po stiku z akumulatorsko tekočino prizadeto mesto takoj izperite z vodo in milom. Po stiku z očmi takoj najmanj 10 minut dolgo temeljito izpirajte in nemudoma obiščite zdravnika.

V izogib, s kratkim stikom povzročene nevarnosti požara, poškodb ali okvar na proizvodu, orodja, izmenljivega akumulatorja ali polnilne naprave ne potaplajte v tekočine in poskrbite, da ne bo prihajalo do vdora tekočin v naprave in akumulatorje. Korozivne ali prevodne tekočine, kot so slana voda, določene kemikalije in belila ali proizvodi, ki le ta vsebujejo, lahko povzročijo kratek stik.

Izmenljive akumulatorje sistema M18 polnite samo s polnilnimi aparati sistema M18. Ne polnite nobenih akumulatorjev iz drugih sistemov.

Izmenljivih akumulatorjev in polnilnih aparatov ne odpirajte in jih hranite samo v suhih prostorih. Zaščitite jih pred mokroto.

UPORABA V SKLADU Z NAMEMBNOŠTJO

Ta čistilec cevi je ročno orodje za čiščenje sekundarnih odtočnih cevi, npr. v kuhinjah, kopalnicah in gospodinjnskih prostorih.

AKUMULATORJI

Izmenljive akumulatorje, ki jih daljši čas niste uporabljali, pred uporabo naknadno napolnite.

Temperatura nad 50°C zmanjšuje zmogljivost izmenljivega akumulatorja. Izogibajte se daljšemu segrevanju zaradi sončnih žarkov ali gretja.

Pazite, da ostanejo priključni kontakti na polnilnem aparatu in izmenljivem akumulatorju čisti.

za optimalno življenjsko dobo je potrebno akumulatorje po uporabi do konca napolniti.

Za čim daljšo življenjsko dobo naj se akumulatorji po napolnitvi vzamejo ven iz naprave za polnjenje.

Pri skladiščenju akumulatorjev dalj kot 30 dni: Akumulator skladiščiti pri 27°C in na suhem. Akumulator skladiščiti pri 30%-50% stanja polnjenja. Akumulator spet napolniti vsakih 6 mesecev.

TRANSPORT LITIJ-IONSkih AKUMULATORJEV

Litij-ionski akumulatorji so podvrženi zakonskim določbam transporta nevarnih snovi.

Transport teh akumulatorjev se mora izvajati upoštevač lokalne, nacionalne in mednarodne predpise in določbe.

Potrošniki lahko te akumulatorje še nadalje transportirajo po cesti. Komerčni transport litij-ionskih akumulatorjev s strani

špediterskih podjetij je podvržen določbam transporta nevarnih snovi. Priprava odpreme in transporta se lahko vrši izključno s strani ustrezno izšolanih oseb. Celoten proces je potrebno strokovno spremljati.

Pri transportu akumulatorjev je potrebno upoštevati sledeče točke:

V izogib kratkim stikom zagotovite, da bodo kontakti zaščiteni in izolirani. Bodite pozorni na to, da paket akumulatorja v notranjosti embalaže ne bo mogel zdrsniti. Poškodovanih ali iztekajočih akumulatorjev ni dovoljeno transportirati. Za nadaljnja navodila se obrnite na vaše špeditersko podjetje.

ZAŠČITA PREOBREMITIVNE AKUMULATORJA

V primeru preobremenitve akumulatorja zaradi visoke porabe toka, npr. ekstremno visokih vrtilnih momentov, nenadne zaustavitve ali kratkega stika, električno orodje 5 sekund vibrira, prikazovalnik polnjenja utripa, električno orodje pa se samodejno izklopi.

Za ponoven vklop izpustite pritiskno stikalo in nato znova vklopite. Pod ekstremnimi obremenitvami se akumulator premočno segreva. V tem primeru utripajo vse lučke prikazovalnika polnjenja dokler se akumulator ne ohladi. Za tem, ko prikazovalnik polnjenja ugasne lahko z delom nadaljujemo.

Za ponovno polnitev in aktiviranje akumulatorja ga je potrebno vstaviti v polnilce.

DODATNI NASVETI ZA UPORABO

Upoštevajte prikaze za normalno uporabo.

Spiralo napeljite v cev z rahlim premikanjem naprej in nazaj, dokler zamašitev ni odstranjena.

OPOZORILO: Kadar orodje blokira, stikalo takoj izpustite.

Sprostitev zablokirane čistilca cevi:

Orodje potegnite v vzvratnem vrtenju nekaj centimetrov nazaj, da sprostite spiralo.

Orodje izklopite in počakajte do mirovanja. Nato orodje ponovno vklopite v smeri vrtenja naprej.

POZOR! Neprestano obratovanje orodja v vzvratni smeri vrtenja lahko privede do poškodbe spirale in pribora.

MONTAŽA SPIRALE

Montaža spirale:

Upoštevajte prikaze za montažo spirale.

OPOZORILO! Spirala je pod pritiskom in lahko pri montaži nenadoma svigne naprej, kar lahko privede do poškodb. Nosite zaščitna očala ali očala s stransko zaščito, da omejite tveganje za poškodbo kolikor je le mogoče.

Zmeraj nosite usnjene rokavice.

Novo spiralo privijte v smeri poščiče (glej boben) v notranji boben. Spiralo previdno navijte v notranji boben.

Preberite navodila za uporabo. Uporabljajte primerno zaščitno opremo.

Pri uporabi čistilca cevi lahko pridete v stik s kemikalijami, bakterijami ali drugimi jedkimi, toksičnimi ali infekcijskimi snovmi.

Po uporabi si roke umijte s toplo vodo in milom.

V izogib poškodbam spirale, zmeraj uporabljajte vložek za posodo.

VZDRŽEVANJE

Pred vsemi deli na stroji odstranite izmenljivi akumulator.

Prostoležečo spiralo obrišite s krpo in ponovno potisnite v boben.

Pred skladiščenjem čistilca cevi, spiralo popolnoma izvlecite.

Spiralo očistite in rahlo navijte.

Uporabljajte samo Milwaukee pribor in Milwaukee nadomestne dele. Poskrbite, da sestavne dele, katerih zamenjava ni opisana, zamenjajo v Milwaukee servisni službi (upoštevajte brošuro Garancija aslovi servisnih služb).

Po potrebi se lahko pri vaši servisni službi ali direktno pri Techtronic Industries GmbH naroči eksplozijska risba naprave ob navedbi tipa stroja in številke s tipske ploščice Techtronic Industries GmbH, Max-Eyth-Straße 10, 71364 Winnenden, Germany.



Slo

CE-IZJAVA O KONFORMNOSTI

S polno odgovornostjo izjavljamo, da izdelek, opisan pod „Tehnični podatki“ izpolnjuje vse ustrezne določbe direktiv: 2011/65/EU (RoHS), 2006/42/ES, 2014/30/EU ter da so bili uporabljeni naslednji harmonizirani standardi
EN 62841-1:2015
EN 62841-3-14:2017
EN 55014-1:2017+A11:2020
EN 55014-2:2015
EN IEC 63000:2018



Winnenden. 2020-11-16

Alexander Krug / Managing Director
Pooblaščen za izdelavo spisov tehnične dokumentacije.
Techtronic Industries GmbH
Max-Eyth-Straße 10, 71364 Winnenden, Germany



SIMBOLI



POZOR! OPOZORILO! NEVARNO!



Prosimo, da pred uporabo pozorno preberete to navodilo za uporabo.



Pri delu s strojem vedno nosite zaščitna očala.



Zmeraj nosite zaščitne rokavice - po možnosti iz usnja!



Nevarnost poškodb!
Boben nikoli ne nosite kot nahrbtnik!



Nevarnost poškodb!
Boben mora biti zaprt pred začetkom!



Pred vsemi deli na stroji odstranite izmenljivi akumulator.



Oprema – ni vsebovana v obsegu dobave, priporočeno dopolnilo iz programa opreme.



Električnih naprav, baterij/akumulatorjev ni dovoljeno odstranjevati skupaj z gospodinjskimi odpadki. Električne naprave in akumulatorje je potrebno zbirati ločeno in za okolju prijazno odstranitev, oddati podjetju za reciklažo. Pri krajevnem uradu ali vašem strokovnem prodajalcu se pozanimajte glede reciklažnih dvorišč in zbirnih mest.

n₀ Število vrtljajev v prostem teku

V Napetost

— — — Enosmerni tok



Evropska oznaka za združljivost





Britanska oznaka za združljivost



Ukrajinska oznaka za združljivost



Evrazijska oznaka za združljivost

Tehnički podaci Čistač cijevi		M18 FFSDC		
Broj proizvodnje	4609 36 02... ... 000001-999999			
Napon baterije za zamjenu	18 V			
Broj okretaja praznog hoda	0 - 250 min ⁻¹			
Dužina spirale	15 m			
Veličina spirale	10 mm	13 mm	16 mm	
Promjer cijevi	50 - 75 mm	50 - 100 mm	32 - 75 mm	
Težina po EPTA-proceduri 01/2014 (Li-Ion 5,0 Ah)	18,85 kg	23,65 kg	20,45 kg	
 Težina	11,0 kg	15,8 kg	12,6 kg	
 Težina	7,1 kg			
Preporučena temperatura okoline za pogon	-18°C ... +50°C			
Preporučeni akumulatorski paket	M18B...			
Preporučeni punjači	M12-18...			
Informacije o buci				
Mjerne vrijednosti utvrđene odgovarajuće EN 62841. A-ocijenjeni nivo buke aparata iznosi tipično:				
Nivo pritiska zvuka (Nesigurnost K=3dB(A))				
Nivo učinka zvuka (Nesigurnost K=3dB(A))				
Nositi zaštitu sluha!				



Hrv

⚠ UPOZORENIE! Pročitajte sve sigurnosne upute, napomene, prikaze i podatke koje dobijete uz uređaj. Ako se ne bi pošivala napomene o sigurnosti i upute to bi moglo uzrokovati strujni udar, požar i/ili teške ozljede. **Sačuvajte sve napomene o sigurnosti i upute za buduću primjenu.**

⚠ SIGURNOSNE UPUTE ZA ČISTAČA CIJEVI

Hvatajte okretajuću spiralu samo s rukavicama preporučenim od strane proizvođača. Rukavice od latexa ili labavo naljeđajuće rukavice odn. marame se mogu omotati oko spirale i prouzročiti teške ozljede.

Uvjerite se, da se za vrijeme okretanja spirale vrh spirale ne zakachi. Inače spirala može biti preopterećena i prekomjerno zakrenuta, presavijena ili slomljena, što može dovesti do teških ozljeda.

Ako bi odjeljna cijev koja se čisti mogla sadržavati kemikalije, bakterije ili druge toksične supstancije odn. uzročnike infekcije, tada uporabite od proizvođača preporučene zaštitne rukavice od latexa ili gumene rukavice kao i zaštitne naočale, zaštitu lica, zaštitnu odjeću i masku za zaštitu disanja. Cjevovodi mogu sadržavati kemikalije, bakterije ili druge supstancije koje mogu biti toksične ili uzročnici infekcije i koje mogu prouzročiti najedanja ili druge teške ozljede.

Poštivajte higijenske propise. Za vrijeme dok koristite ovaj uređaj nemojte jesti i pušiti. Nakon rukovanja ili uporabe uređaja za čišćenje cijevi ruke i ostali dijelovi tijela koji su došli u kontakt sa sadržajem cijevi se moraju uvijek prati toplom vodom i sapunom. Na ovaj način izbjegavate zdravstvene rizike na temelju kontakta s toksičnim tvarima ili tvarima koje su uzročnici infekcija.

Čistač cijevi se koristi samo za cijevi sa navedenim veličinama. Uporaba nekog čistača cijevi pogrešne veličine može dovesti do zakretanja, izvijanja ili loma spirale i do ozljeda.

Provjerite spiralu prije uporabe u svezi tragova habanja i oštećenja. Promijenite pohabane ili oštećene spirale prije uporabe čistača cijevi.

Spiralu ne zakrenuti, izvijati, prekomjerno savijati. Lom spirale može prouzročiti teške ozljede.

Inspicirajte cijev koja će se čistiti prije uporabe uređaja.

Odredite koliko je moguće pristupne točke, promjeri i dužinu cjevovoda kao i udaljenost glavnih vodova, vrstu zapešenja i postojanje sredstava za čišćenje ili drugih kemikalija. Ako se u odjeljnoj cijevi nalaze kemikalije, moraju se donijeti odgovarajuće sigurnosne mjere. Obratite se proizvođaču kemikalije kako bi dobili potrebne informacije.

Po potrebi prekriti radno područje. Čišćenje odjeljnih cijevi može biti jedna prljava stvar.

Uvjerite se da je spirala potpuno namotana. Time izbjegavate bičasto udaranje spirale kod uključivanja.

Uvjerite se, da se čistač cijevi može postaviti na jednom razmaku od maksimalno 15 cm od otvora cijevi. Inače se pristup na otvor cijevi mora premostiti jednim prikladnim komadom cijevi sličnog promjera. Nestručni dovod spirale može dovesti do zakretanja, izvijanja ili loma spirale.

Pozicionirajte čistač cijevi na jedan razmak od maksimalno 15 cm od otvora cijevi. Kod veće udaljenosti spirala se može slabije kontrolirati i može se zakrenuti, izviti ili slomiti.

Spiralu i sklopku Uklj/Isklj mora posluživati jedna ista osoba.

U izuzetak situacija navedenih u ovoj uputi, spirala se ne smije okretati unazad. Okretanje unazad može dovesti do oštećenja spirale i služi samo k tome, spiralu ponovno izvući prilikom zapešenja cijevi.

Etikete i pločice tipova ne ukloniti. Ove pločice sadrže važne informacije. Ako ove pločice uputa više nisu čitke ili nedostaju, obratite se servisu MILWAUKEE da bi dobili besplatnu zamjenu.

Ostale sigurnosne i radne upute

Upotrebljavati zaštitnu opremu. Kod radova sa strojem uvijek nositi zaštitne naočale. Preporučuje se zaštitna odjeća, kao zaštitna maska protiv prašine, zaštitne rukavice, čvrste i protiv klizanja sigurne cipele, šljem i zaštitu sluha.

Prašina koja nastaje prilikom rada je često nezdrava i ne bi smijela dospjeti u tijelo. Nositi prikladnu zaštitnu masku protiv prašine.

Ne smiju se obrađivati nikakvi materijali, od kojih prijeti opasnost po zdravlje (npr. azbest).

Kod blokiranja alata koji se upotrebljava uređaj molimo odmah isključiti! Uređaj nemojte ponovno uključiti za vrijeme dok je alat koji se upotrebljava blokiran; time može doći do povratnog udara sa visokim reakcijskim momentom. Pronađite i otklonite uzrok blokiranja alata koji se upotrebljava uz poštivanje sigurnosnih uputa. Prije svih radova na stroju izvadite bateriju za zamjenu.

Istrošene baterije za zamjenu ne baciti u vatru ili u kućno smeće. Milwaukee nudi mogućnost uklanjanja starih baterija odgovarajuće okolini. Milwaukee nudi mogućnost uklanjanja starih baterija odgovarajuće okolini; upitajte molimo Vašeg stručnog trgovca. Baterije za zamjenu ne čuvati skupa sa metalnim predmetima (opasnost od kratkog spoja).

Pod ekstremnim opterećenjem ili ekstremne temperature može iz oštećenih baterija iscuriti baterijska tekućina. Kod dodira sa baterijskom tekućinom odmah isprati sa vodom i sapunom. Kod kontakta sa očima odmah najmanje 10 minuta temeljno ispirati i odmah potražiti liječnika.

Zbog izbjegavanja opasnosti od požara jednim kratkim spojem, opasnosti od ozljeda ili oštećenja proizvoda, alat, izmjenjivi akumulator ili napravu za punjenje ne uronjavati u tekućine i pobrinite se za to, da u uređaje ili akumulator ne prodiru nikakve tekućine. Korozirajuće ili vrlo jive tekućine kao slana voda, određene kemikalije i sredstva za bijeljenje ili proozvodi koji sadrže sredstva bijeljenja, mogu prouzročiti kratak spoj.

Baterije sistema M18 puniti samo sa uređajem za punjenje sistema M18. Ne puniti baterije iz drugih sistema.

Baterije za zamjenu i uređaje za punjenje ne otvarati i čuvati ih samo u suhim prostorijama. Čuvati protiv vlage.

PROPISNA UPOTREBA

Ovaj čistač cijevi je jedan ručni uređaj za čišćenje sekundarnih odljevni cijevi npr. u kuhinjama, kupaonicama i kućanskim prostorijama.

BATERIJE

Baterije koje duže vremena nisu korištene, prije upotrebe napuniti. Temperatura od preko 50°C smanjuje učinak baterija. Duže zagrijavanje od strane sunca ili grijanja izbjeci.

Priključne kontakte na uređaju za punjenje i baterijama držati čistima.

Za optimalni vijek trajanja se akumulatori poslije upotrebe moraju sasvim napuniti.

Za što moguće duži vijek trajanja, akumulatori se nakon punjenja moraju odstraniti iz punjača.

Kod skladištenja akumulatora duže od 30 dana: Akumulator skladištiti na suhom kod ca. 27°C. Akumulator skladištiti kod ca. 30%-50% stanja punjenja. Akumulator ponovno napuniti svakih 6 mjeseci.

TRANSPORT LITIJSKIH IONSKIH BATERIJA

Litijske-ionske baterije spadaju pod zakonske odredbe u svezi transporta opasne robe.

Prijevoz ovih baterija mora uslijediti uz poštivanje lokalnih, nacionalnih i internacionalnih propisa i odredaba.

Korisnici mogu bez ustručavanja ove baterije transportirati po cestama.

Komercijalni transport litijsko-ionskih baterija od strane transportnih poduzeća spada pod odredbe o transportu opasne robe. Otpremničke pripreme i transport smiju izvoditi isključivo odgovarajuće školovane osobe. Kompletni proces se mora pratiti na stručan način.

Kod transporta baterija se moraju poštivati sljedeće točke:

Uvjerite se da su kontakti zaštićeni i izolirani kako bi se izbjegli kratki spojevi. Pazite na to, da blok baterija unutar pakiranja ne može proklizavati. Oštećene ili iscrpne baterije se ne smiju transportirati. U svezi ostalih uputa obratite se vašem prijevoznom poduzeću.

ZAŠTITA OD PREOPTEREĆENJA AKUMULATORA

Kod preopterećenja akumulatora kroz vrlo visoku potrošnju struje, npr. ekstremno visoki zakretni momenti, električni alat vibrira za vrijeme od 5 sekundi, pokazivač punjenja treperi i električni alat se samostalno isključuje.

Za ponovno uključivanje ispustiti okidač sklopke i zatim ponovno uključiti.

Pod ekstremnim opterećenjima se akumulator prejako zagrije. U tome slučaju trepere sve lampice pokazivača punjenja, sve dok se akumulator ne ohladi. Poslije gašenja pokazivača punjenja se može nastaviti sa radom.

Akumulator zatim utaknuti u punjač kako bi se ovaj ponovno napunio i zatim aktivirao.

DODATNI SAVJETI ZA UPORABU

Poštivajte slike za normalnu uporabu.

Uvedite spiralu u cijev laganim pokretom naprijed-nazad, sve dok zapušenje nije odstranjeno.

UPUTA: Ako alat blokira, sklopku odmah ispustiti.

Popuštanje jednog blokiranog čistača cijevi:

Alat u natražnoj vrtnji za nekoliko centimetara povući nazad kako bi se spirala popustila.

Alat isključiti i pričekati da se zaustavi. Zatim alat ponovno uključiti u smjeru okretanja naprijed.

OPREZ! Neprestani rad alata u natražnoj vrtnji može dovesti do oštećenja spirale i pribora.

MONTAŽA SPIRALE

Montaža spirale:

Poštivati slike u svezi montaže spirale.

UPOZORENJE! Spirala stoji pod tlakom i može kod montaže odjednom izbiti, što može dovesti do ozljeda. Nosite zaštitne naočale sa postraničnom zaštitom, da bi se rizik ozljeđivanja sveo na najmanju moguću mjeru.

Nosite uvijek kožne rukavice.

Namotajte novu spiralu u smjeru strelice (vidi bubanj) u unutarnjoj doboša. Spiralu namotajte kompletno u unutarnji bubanj.

Pročitajte uputu za posluživanje. Uporabite prikladnu zaštitnu opremu.

Kod primjene čistača cijevi možete doći u dodir sa kemikalijama, bakterijama i drugim nagrizajućim, toksičnim ili infektivnim supstancijama.

Ruke nakon uporabe čistiti toplom vodom i sapunom.

Primijenite uvijek umetak spremnika kako bi se izbjeglo oštećenje spirale.



Hrv

ODRŽAVANJE

Prije svih radova na stroju izvaditi bateriju za zamjenu.

Slobodno ležeću spiralu obristati jednom krpom i ponovno ugurati u bubanj.

Prije skladištenja čistača cijevi, spiralu sasvim izvuci. Spiralu očistiti i labavo namotati.

Primijeniti samo Milwaukee opremu i Milwaukee rezervne dijelove. Sastavne dijelove, čija zamjena nije opisana, dati zamijeniti kod jedne od Milwaukee servisnih službi (poštivati brošuru Garancija/ Adrese servisa).

Po potrebi se može zatražiti crtež eksplozije aparata uz davanje podataka o tipu stroja i desetoznamenkastog broja na pločici snage kod Vaše servisne službe ili direktno kod Techtronic Industries GmbH, Max-Eyth-Straße 10, 71364 Winnenden, Germany.

CE-IZJAVA KONFORMNOSTI

Izjavljujemo pod vlastitom odgovornošću da proizvod opisan u odjeljku „Tehnički podaci“ ispunjava sve potrebne odredbe smjernica:

2011/65/EU (RoHS), 2006/42/EC, 2014/30/EU

i da su korišteni sljedeći usklađeni standardi

EN 62841-1:2015

EN 62841-3-14:2017

EN 55014-1:2017+A11:2020

EN 55014-2:2015

EN IEC 63000:2018



Winnenden. 2020-11-16

Alexander Krug / Managing Director

Ovlašten za formiranje tehničke dokumentacije.

Techtronic Industries GmbH

Max-Eyth-Straße 10, 71364 Winnenden, Germany

SIMBOLI



PAŽNJA! UPOZORENIE! OPASNOST!



Molimo da pažljivo pročitate uputu o upotrebi prije puštanja u rad.



Kod radova na stroju uvijek nositi zaštitne naočale.



Uvijek nositi zaštitne rukavice - uglavnom kožne!



Opasnost od povređivanja!
Bubanj nikada ne nositi kao naprtnjaču!



Opasnost od povređivanja!
Prije startanja bubanj mora biti zatvoren!



Prije svih radova na stroju izvaditi bateriju za zamjenu.



Oprema - u opsegu isporuke nije sadržana, preporučena dopuna iz promgrama opreme.



Elektrouredajji, baterije/akumulatori se ne smiju zbrinjavati skupa sa kućnim smećem. Električni uređajji akumulatori se moraju skupljati odvojeno i predati na zbrinjavanje primjereno okolišu jednom od pogona za iskorišćavanje. Raspitajte se kod mjesnih vlasti ili kod stručnog trgovca u svezi gospodarstva za recikliranje i mjesta skupljanja.

n₀ Broj okretaja praznog hoda

V Napon

Istosmjerna struja



Europski znak suglasnosti

Britanski znak suglasnosti

Ukrajinski znak suglasnosti

Euroazijski znak suglasnosti



Tehniskie dati Cauruļu tīrīšanas iekārta		M18 FFSDC		
Izlaides numurs	4609 36 02... ... 000001-999999			
Akumulātoru spriegums	18 V			
Tukšgaitas apgriezienu skaits	0 - 250 min ⁻¹			
Spirāles garums	15 m			
Spirāles izmērs	10 mm	13 mm	16 mm	
Caurules diametrs	50 - 75 mm	50 - 100 mm	32 - 75 mm	
Svars atbilstoši EPTA - Procedure 01/2014 (Li-Ion 5,0 Ah)	18,85 kg	23,65 kg	20,45 kg	
 Svars	11,0 kg	15,8 kg	12,6 kg	
 Svars	7,1 kg			
Darbībai ieteicamā apkārtnes temperatūra	-18°C ... +50°C			
Ieteicamie akumulatoru komplekti	M18B...			
Ieteicamās uzlādes ierīces	M12-18...			
Trokšņu informācija				
Vertības, kas noteiktas saskaņā ar EN 62841. A novērtētās aparatūras skaņas līmenis ir:				
Trokšņa spiediena līmenis (Nedrošība K=3dB(A))				
Trokšņa jaudas līmenis (Nedrošība K=3dB(A))				
Nēsāt trokšņa slāpētāju!				
		72,4 dB (A)		
		83,4 dB (A)		



Lat

⚠ UZMANĪBU! Izlasiet visus drošības norādījumus, instrukcijas, attēlus un datus, ko saņemat kopā ar ierīci. Šeit sniegto drošības noteikumu un norādījumu neievērošana var izraisīt aizdegšanos un būt par cēloni elektriskajam triecienam vai nopietnam savainojumam. **Pēc izlasīšanas uzglabājiet šos noteikumus turpmākai izmantošanai.**

⚠ DROŠĪBAS NORĀDES LIETOJOT CAURUĻU TĪRĪTĀJU
Pieskarties rotējošai spirālei drīkst tikai ar ražotāja ieteiktajiem cimdkiem. Lateksa un brīvi pieguļoši cimdi vai dvieļi var aptīties ap spirāli, tādējādi radot nopietnus ievainojumus.

Griezoties spirālē, jāgriežas arī spirāles galam. Pretējā gadījumā spirāle var tikt pārslogota un sagrieztijs pārāk daudz, salocīties vai nolūst, tādējādi radot nopietnus ievainojumus.

Ja tīrīšanai pakļaujamajā notekcaurulē var atrasties ķīmikālijas, baktērijas vai citas toksiskas vielas un infekcijas ierosinātāji, tad zem ražotāja ieteiktajiem aizsargcimdkiem valkājiet arī lateksa vai gumijas cimdus, kā arī lietojiet aizsargbrilles, sejas sargu, aizsargājošu apģērbu un elpošanas masku. Cauruļvados var atrasties ķīmikālijas, baktērijas vai citas vielas, kas ir toksiskas vai ierosina infekciju un var radīt kairinājumu vai citus nopietnus ievainojumus.

Ievērojiet higiēnas prasības. Iekārtas lietošanas laikā aizliegts ēst un smēķēt. Pēc saskares ar cauruļu tīrīšanas iekārtu vai tās lietošanas, izmantojot siltu ūdeni un ziepes, rūpīgi nomazgājiet rokas un pārējās ķermeņa daļas, kas nonāca saskarē ar cauruļu saturu. Tādējādi iespējams izvairīties no iespējamām veselības problēmām, kas var rasties saskaroties ar toksiskām vai infekciju ierosinošām vielām.

Cauruļu tīrīšanas iekārtu drīkst izmantot tikai tādām caurulēm, kuru izmērs atbilst iekārtas specifikācijai. Izmantojot cauruļu tīrīšanas iekārtu nepiemērota izmēra caurulēm, spirālē var sapīties, ielocīties vai pārlūst, tādējādi radot nopietnus ievainojumus.

Pirms izmantošanas pārbaudiet, vai spirāle nav nolietojusies un tai nav radušies defekti. Pirms cauruļu tīrīšanas iekārtas izmantošanas nomainiet nolietoto vai bojāto spirāli.

Spirāli aizliegts sapīt, aizlikt vai pārlieku locīt. Spirālei plīstot, var tikt radīti nopietni ievainojumi.

Pirms iekārtas izmantošanas pārbaudiet tīrāmo cauruļu. Ja vien iespējams, nosakiet caurules pieejas punktu (-s), diametru un garumu, kā arī attālumu līdz galvenajām caurulēm, aizsērējuma veidu, kā arī cauruļu tīrīšanas līdzekļu un citu ķīmikāliju klātbūtni caurulēs. Gadījumā, ja notekcaurulē atrodas ķīmikālijas, jāveic atbilstoši drošības pasākumi. Lai iegūtu nepieciešamo informāciju, vērsieties pie attiecīgo ķīmikāliju ražotāja.

Nepieciešamības gadījumā nosedziet darba vietu. Notekcauruļu tīrīšana var izvērsties ļoti netīra.

Pārliecinieties, lai spirāle būtu pilnībā uztieta. Tādējādi iespējams novērst spirāles cirtienveida darbību, ieslēdzot iekārtu.

Pārliecinieties, lai cauruļu tīrīšanas iekārtu varētu novietot ne tālāk kā 15 cm no caurules atveres. Ja tas nav iespējams, trūkstošo posmu jāaizvieto ar apmēram tāda paša diametra cauruļu, kādu ir paredzēts tīrīt. Nepareizi pievadot spirāli, tā var sapīties, salocīties vai salūzt.

Novietojiet cauruļu tīrīšanas iekārtu ne tālāk kā 15 cm no caurules atveres. Ja attālums būs lielāks, spirāli būs daudz grūtāk kontrolēt un tā var sapīties, salocīties vai salūzt.

Spirāli un ieslēgšanas/izslēgšanas pogu drīkst kontrolēt tikai viena un tā pati persona.

Izņemot šajā instrukcijā minētos gadījumus, spirāli nedrīkst griezt pretējā virzienā. Griešana pretējā virzienā var izraisīt spirāles bojājumus un ir paredzēta tikai tam, lai cauruļu aizsērējuma gadījumā varētu to izvilkēt ārā.

Aizliegts ņemēt etiķetes un tipa plāksnītes. Tās satur svarīgu informāciju. Ja šīs norādes vairs nav salasāmas vai tās ir pazudušas, vērsieties savā MILLWAUKEE klientu atbalsta dienestā, lai bez maksas saņemtu jaunās.

Citas drošības un darba instrukcijas

Jāizmanto aizsargaprīkojums. Strādājot ar mašīnu, vienmēr jānēsā aizsargbrilles. Ieteicams nēsāt aizsargapģērbu, kā piemēram, aizsargmasku, aizsargcimdus, kurpes no stingra un neslidīga materiāla, ķiveri un asu aizsargus.

Latviski

Putekļi, kas rodas darba gaitā, bieži ir kaitīgi veselībai un tiem nevajadzētu nokļūt organismā. Jānesā piemērota maska, kas pasargā no putekļiem.

Nedrīkst apstrādāt materiālus, kas rada draudus veselībai (piemēram, azbestu).

Ja izmantojamais darba rīks tiek bloķēts, nekavējoties izslēgt ierīci! Neieslēdziet ierīci, kamēr izmantojamais darba rīks ir bloķēts; var rasties atslēgšanās ar augstu griezes momentu. Noskaidrojiet un novērsiet izmantojamā darba rīka bloķēšanas iemeslu, ievērojot visas drošības norādes.

Pirms mašīnai veikt jebkāda veida apkopes darbus, ir jāizņem arī akumulators.

Izmantotos akumulārus nedrīkst mest uguni vai parastajos atkritumos. Firma Milwaukee piedāvā iespēju vecos akumulatorus savākt apkārtnē vidi saudzējošā veidā; jautājiet specializētā veikalā.

Akumulatorus nav ieteicams glabāt kopā ar metāla priekšmetiem (iespējams isslēgums).

Pie ārkārtas slodzes un ārkārtas temperatūrām no bojātā akumulatora var iztect akumulatora šķidrums. Ja nonākt saskarsmē ar akumulatora šķidrumu, saskarsmes vieta nekavējoties jānomazgā ar ūdeni un ziepēm. Ja šķidrums nonācis acīs, acis vismaz 10 min. skalot un nekavējoties konsultēties ar ārstu.

Lai novērstu iespējamo izraisītu aizdegšanās, savainojumu vai produkta bojājuma risku, neiegremdējiet instrumentu, maināmo akumulatoru vai uzlādes ierīci šķidrums. Koroziju izraisoši vai vadītspējīgi šķidrumi, piemēram, sālsūdens, noteiktas ķīmiskājiņas, balinātāji vai produkti, kas satur balinātājus, var izraisīt iespējamo savainojumu.

M18 sistēmas akumulatorus lādēt tikai ar M18 sistēmas lādētājiem. Nedrīkst lādēt citus akumulatorus no citām sistēmām.

Akumulatorus un lādētājus nedrīkst taisyt vaļā un tie jāuzglabā sausās telpās.

NOTEIKUMIEM ATBILSTOŠS IZMANTOJUMS

Šī cauruļu tīrīšanas iekārta ir rokās turama iekārta, kas paredzēta sekundāro cauruļvadu tīrīšanai, piemēram, virtuvē, vannas istabā un mājaisniecības telpās.

AKUMULĀTORI

Akumulatori, kas ilgāku laiku nav izmantoti, pirms lietošanas jāuzlāde.

Pie temperatūras, kas pārsniedz 50°C, akumulatoru darbība tiek negatīvi ietekmēta. Vajag izvairīties no ilgākas saules un karstuma iedarbības.

Lādētāja un akumulatoru pievienojuma kontakti jāuztur tīri.

Lai baterijas darba ilgums būtu optimāls, pēc iekārtas izmantošanas tā jāuzlāde.

Lai akumulatori kalpotu pēc iespējas ilgāku laiku, tos pēc uzlādes ieteicams atvienot no lādētāja ierīces.

Akumulatora uzglabāšana ilgāk kā 30 dienas: uzglabāt akumulatoru pie aptuveni 27°C un sausā vietā. Uzglabāt akumulatoru uzlādes stāvoklī aptuveni pie 30%-50%. Uzlādēt akumulatoru visus 6 mēnešus no jauna.

LITĪJA JONU AKUMULATORU TRANSPORTĒŠANA

Uz litija jonu akumulatoriem attiecas noteikumi par bīstamo kravu pārvadāšanu.

Šo akumulatoru transportēšana jāveic saskaņā ar vietējiem, valsts un starptautiskajiem normatīvajiem aktiem un noteikumiem.

Patērētāja darbības, pārvadājot šos akumulatorus pa autoceļiem, nav reglamentētas.

Uz litija jonu akumulatoru komerciālu transportēšanu, ko veic ekspedīcijas uzņēmums, attiecas bīstamo kravu pārvadāšanas noteikumi. Sagatavošanas darbus un transportēšanu drīkst veikt tikai atbilstoši apmācīts personāls. Viss process jāveic profesionāli. Veicot akumulatoru transportēšanu, jāievēro:

Pārliecinieties, ka kontakti ir aizsargāti un izolēti, lai izvairītos no iespējamo savainojumiem. Pārliecinieties, ka akumulators iepakojumā nevar paslidēt. Bojātus vai tekošus akumulatorus nedrīkst transportēt. Plašāku informāciju Jūs varat saņemt no ekspedīcijas uzņēmuma.

AKUMULATORA AIZSARDZĪBA PĒC PĀRSLOGOJUMU

Akumulatoru pārslodzes gadījumos, esot ļoti liela elektroenerģijas patēriņam, piem., ārkārtīgi augsts griezes moments, pēkšņa apstāšanās vai iespējamo savainojums, elektriskais darbarīks 5 sekundes vibrē, uzlādes indikators mirgo, un elektriskais darbarīks pats izslēdzas.

Lai to atkal ieslēgtu, atlaidiet ieslēgšanas pogu un tad to ieslēdziet no jauna.

Esot ārkārtīgi augstam noslogojumam, akumulators sāk sarst pārāk daudz. Šādā gadījumā visas uzlādes indikatora lampiņas mirgo tik ilgi, kamēr akumulators ir atdzisis. Darbu varat turpināt, kad uzlādes indikators vairs nedeg.

Akumulatoru var ievietot lādētājā, lai to atkal uzlādētu un aktivizētu.

PAPILDU PADOMI IEKĀRTAS LIETOŠANĀ

Ievērojiet vizuālās norādes par iekārtas lietošanu.

Ievadiet spirāli caurulē ar vieglām kustībām uz priekšu un atpakaļ, līdz aizsērējums ir likvidēts.

NORĀDE: Ja iekārta nobloķējas, nekavējoties atlaidiet slēdzi.

Nobloķējušās cauruļu tīrīšanas iekārtas atbrīvošana:

Pavelciet iekārtu dažus centimetrus pretējā griešanās virzienā, lai atbrīvotu spirāli.

Izslēdziet iekārtu un nogaidiet, līdz iestājas dikstāve. Pēc tam atkal ieslēdziet iekārtu pareizajā griešanās virzienā.

UZMANĪGI! Ilgstoša iekārtas darbināšana pretējā griešanās virzienā var sabojāt spirāli un papildpiederumus.

SPIRĀLES MONTĀŽA

Spirāles montāža:

Veicot spirāles montāžu, ievērojiet vizuālās norādes.

BRĪDINĀJUMS! Spirāle ir nospriegta un montāžas laikā tā var spēji izlidot ārā, radot ievainojumus. Lai samazinātu savainošanās risku cik vien iespējams, lietojiet aizsargbrilles vai brilles ar sānu aizsargu.

Vienmēr izmantojiet ādas cimdus.

Uztiniet spirāli iekšējā trumulī bultiņas norādītajā virzienā (skatīt uz trumuļa). Ietiniet spirāli iekšējā trumulī pilnīgi.

Izlasiet lietošanas instrukciju. Izmantojiet piemērotu drošības ekipējumu.

Lietojot spirāli, iespējams nonākt saskarē ar ķīmiskām, bakteriālām vai citām kodīgām, toksiskām vai inficējošām vielām.

Pēc lietošanas nomazgāt rokas ar siltu ūdeni un ziepēm.

Vienmēr izmantojiet konteina ieliktni, lai izvairītos no spoles bojājumiem.



Lat

APKOPE

Pirms mašīnai veikt jebkāda veida apkopes darbus, ir jāizņem ārā akumulators.

Noslaukiet brīvi stāvošo spirāli ar drānu un atkal iebidiet trumulī.

Pirms cauruļu tīrīšanas iekārtas uzglabāšanas pilnībā izvelciet spirāli. Spirāli notīriet un valjīgi uztiniet.

Izmantojiet tikai firmu Milwaukee piederumus un firmas Milwaukee rezerves daļas. Lieciet nomainīt detaļas, kuru nomainīšana nav aprakstīta, kādā no firmu Milwaukee klientu apkalpošanas servisiem. (Skat. brošūru „Garantija/klientu apkalpošanas serviss“.)

Ja nepieciešams, klientu apkalpošanas servīs vai tieši pie firmas Techtronic Industries GmbH, Max-Eyth-Straße 10, 71364 Winnenden, Germany, var pieprasīt instrumenta numurs, kas norādīts uz jaudas paneļa.

ATBILSTĪBA CE NORMĀM

Mēs ar pilnu atbildību paziņojam, ka izstrādājums, kas raksturots sadaļā „Tehniskie dati“, atbilst visām attiecīgajām prasībām direktīvās:

2011/65/ES (RoHS), 2006/42/EK, 2014/30/ES

un ir piemēroti šādi saskaņotie standarti

EN 62841-1:2015

EN 62841-3-14:2017

EN 55014-1:2017+A11:2020

EN 55014-2:2015

EN IEC 63000:2018



Winnenden. 2020-11-16

Alexander Krug / Managing Director

Pilnvarotais tehniskās dokumentācijas sastādīšana.

Techtronic Industries GmbH

Max-Eyth-Straße 10, 71364 Winnenden, Germany

SIMBOLI



UZMANĪBU! BĪSTAMI!



Pirms sākt lietot instrumentu, lūdzu, izlasiet lietošanas pamācību.



Strādājot ar mašīnu, vienmēr jānēsā aizsargbrilles.



Vienmēr izmantojiet cimdus - vēlams ādas!



Savainojumu risks!
Trumulī nekad nenēsājiet kā mugursomu!



Savainojumu risks!
Pirms palaišanas trumulim ir jābūt aizvērtam!



Pirms mašīnai veikt jebkāda veida apkopes darbus, ir jāizņem ārā akumulators.



Piederumi - standartapriekojumā neietvertās, bet ieteicamās papildus komplektācijas detaļas no piederumu programmas.



Elektriskus aparātus, baterijas/akumulatorus nedrīkst utilizēt kopā ar mājāsaimniecības atkritumiem. Elektriski aparāti un akumulatori ir jāsavāc atsevišķi un jānodod atkritumu pārstrādes uzņēmumā videi saudzīgai utilizācijai. Jautājiet vietējā iestādē vai savam specializētajam tirgotājam, kur atrodas atkritumu pārstrādes uzņēmumi vai savākšanas punkti.

n₀

Tukšgaitas apgriezienu skaits

V

Spriegums



Lidzstrāva



Eiropas atbilstības zīme



Lielbritānijas atbilstības zīme





Ukrainas atbilstības zīme



Eirāzijas atbilstības zīme

Latviski

Techniniai duomenys Vamzdžių valymo prietaisais		M18 FFSDC		
Produkto numeris	4609 36 02... ... 000001-999999			
Keičiamo akumuliatoriaus įtampa	18 V			
Sūkių skaičius laisva eiga	0 - 250 min ⁻¹			
Spiralės ilgis	15 m			
spiralės dydis	10 mm	13 mm	16 mm	
vamzdžio skersmuo	50 - 75 mm	50 - 100 mm	32 - 75 mm	
Prietaiso svoris įvertintas pagal EPTA 2014/01 tyrimų metodiką (Li-Ion 5,0 Ah)	18,85 kg	23,65 kg	20,45 kg	
 Svoris	11,0 kg	15,8 kg	12,6 kg	
 Svoris	7,1 kg			
Rekomenduojama aplinkos temperatūra eksploatuojant	-18°C ... +50°C			
Rekomenduojami akumuliatoriai	M18B...			
Rekomenduojami įkrovikliai	M12-18...			
Informacija apie keliamą triukšmą				
Vertės matuotos pagal EN 62841. Įvertintas A įrenginio keliamo triukšmo lygis dažniausiai sudaro:				
Garso slėgio lygis (Paklaida K=3dB(A))	72,4 dB (A)			
Garso galios lygis (Paklaida K=3dB(A))	83,4 dB (A)			
Nešioti klausos apsauginės priemonės!				

⚠ DĖMESIO! Perskaitykite visas saugos nuorodas, instrukcijas, iliustracijas ir duomenis, kuriuos gaunate su prietaisu. Jei nepaisysite žemiau pateiktų saugos nuorodų ir reikalavimų, gali trenkti elektros smūgis, kilti gaisras ir/arba galite sunkiai susižaloti arba sužaloti kitus asmenis. **Išsaugokite šias saugos nuorodas ir reikalavimus, kad ir ateityje galėtumėte jais pasinaudoti.**

⚠ VAMZDŽIŲ VALYMO ĮRENGINIŲ SAUGOS INSTRUKCIJOS

Sukamąją spiralę suimkite tik mūvēdami gamintojo rekomenduojamas pirštines. Pirštines iš latekso arba laisvai gulintių pirštines ar audinys gali apsvinioti aplink spiralę ir stipriai sužeisti.

Kol spiralė sukasi stebėkite, kad jos galas niekur neužsikabintų. Kitaip spiralė gali būti perkrauta ir gali persisukti, įtrūkti ar sulūžti, todėl galima sunkiai susižeisti.

Jei valomame nuotekų vamzdyje galėtų būti chemikalų, bakterijų ar kitų toksiinių medžiagų ar infekcijų sukėlėjų, mūvēkite gamintojo rekomenduojamas apsaugines pirštines, latekso ar gumines pirštines bei dėvėkite apsauginius akinius, veido apsaugas, apsauginius drabužius ir respiratorių. Vamzdnyuose gali būti chemikalų, bakterijų arba kitokių medžiagų, kurios gali būti toksiškos ar sukelti infekcijas ir nudegimus arba kitokių sunkių sužeidimų.

Laikykitės higienos reikalavimų. Naudodami prietaisą nevalgykite ir nerūkykite. Pasinaudojus vamzdžių valymo prietaisais visada būtina šiltu vandeniu ir muilu nusiplauti rankas ir kitas kūno dalis, kurios lietsi su vamzdžių turiniu. Taip išvengsite sveikatos sutrikdymo dėl kontakto su toksinėmis arba infekcijas sukeliančiomis medžiagomis.

Vamzdžių valymo prietaisą galima naudoti tik nurodyto dydžio vamzdžiams valyti. Naudojant netinkamo dydžio vamzdžių valymo prietaisą, spiralė gali persisukti, įtrūkti ar sulūžti ir sukelti sužeidimus.

Prieš naudodami patikrinkite spiralę, ar ji nėra susidėvėjusi ir neturi pažeidimų. Prieš naudodami pakeiskite susidėvėjusią ar pažeistą spyruoklę.

Nepersukite, neįlaukite ar nesulenkite per stipriai spiralės. Spiralės lūžimas gali sukelti stiprių sužeidimų.

Prieš pradėdami naudoti prietaisą patikrinkite valytiną vamzdį. Jei įmanoma, nustatykite vamzdžio prieigos tašką (-us), skersmenį ir ilgį bei atstumą iki pagrindinio kanalizacijos vamzdžio, vamzdžio kamščio pobūdį ir vamzdžių valymo priemonių ar kitų chemikalų buvimą. Jei nuotekų vamzdyje yra chemikalų, būtina imtis atitinkamų saugumo priemonių. Norėdami gauti reikalingos informacijos apie chemikalą, kreipkitės į jo gamintoją.

Esant poreikiui uždenkite darbo vietą. Nuotekų vamzdžių valymas gali būti purvinas darbas.

Įsitikinkite, kad spiralė visiškai suvyniota. Taip išvengsite spiralės plakimosi ją įjungiant.

Įsitikinkite, kad vamzdžių valymo prietaisą įmanoma laikyti daugiausiai 15 cm atstumu nuo vamzdžio angos. Kitaip atstumas iki vamzdžio angos turi būti sutrumpintas prijungiant tinkamą panašaus skersmens vamzdį. Dėl netinkamo spiralės įvedimo ji gali persisukti, įtrūkti ar sulūžti.

Vamzdžių valymo prietaisais turi būti daugiausiai 15 cm atstumu nuo vamzdžio angos. Esant didesniai atstumui spiralę sunku kontroliuoti ir ji gali persisukti, įtrūkti ar sulūžti.

Valdyti spiralę ir ją įjungti ar išjungti turi tas pats asmuo.

Spiralės negalima sukti į priešingą pusę, išskyrus išimtinės situacijas, nurodytas šioje instrukcijoje. Sukant spiralę atgal ją galima pažeisti, o ši funkcija yra skirta tik tam, kad spiralę ištrauktumėte iš užsikimšusio vamzdžio.

Nepašalinkite etikečių ir duomenų plokštelių. Šiose plokštelėse pateikiama svarbios informacijos. Jei jos tapo neįskaitomos ar jų nebėra, kreipkitės į MILWAUKEE klientų aptarnavimo skyrių ir nemokamai gausite naujas.



Liet

Lietuviškai

Kiti saugumo ir darbo nurodymai

Dėvėkite apsaugines priemones. Dirbami su mašina visada užsidėkite apsauginius akinius. Rekomenduotina dėvėti apsaugines priemones: apsaugos nuo dulkių respiratorius, apsaugines pirštines, kietus batus neslidžiais padais, šalmą ir klausos apsaugos priemones.

Darbo metu susidarančios dulksės yra dažnai kenksmingos sveikatai ir todėl turėtų nepatekti į organizmą. Dėvėti tinkamą apsauginę kaukę nuo dulkių.

Negalima apdirbti medžiagų, dėl kurių galimi sveikatos pažeidimai (pvz., asbesto).

Blokuojant įstatomąjį įrankį būtina išjungti prietaisą! Neįjunkite prietaiso, kol įstatomasis įrankis yra užblokuotas; galimas grįžtamasis smūgis su dideliu sukimo momentu. Atsižvelgdami į saugumo nurodymus, nustatykite ir pašalinkite įstatomojo įrankio blokavimo priežastį.

Prieš atlikdami bet kokius darbus įrenginyje, išimkite keičiamą akumuliatorių.

Sunaudotų keičiamų akumuliatorių nedeginkite ir nemeskite į buitines atliekas. „Milwaukee“ siūlo tausojantį aplinką sudėvėtą keičiamų akumuliatorių tvarkymą, apie tai prekybos atstovo.

Keičiamų akumuliatorių nelaikykite kartu su metaliniais daiktais (trumpojo jungimo pavojus).

Ekstremalių apkrovų arba ekstremalios temperatūros poveikyje iš keičiamų akumuliatorių gali ištekėti akumuliatoriaus skystis. Išsitiesus akumuliatoriaus skystį, tuoj pat nuplaukite vandeniu su muilu. Patekus į akis, tuoj pat ne trumpiau kaip 10 minučių gausiai skalaukite vandeniu ir tuoj pat kreipkitės į gydytoją.

Siekdami išvengti trumpojo jungimo sukiamą gaisro pavojaus, susalojimų arba produkto pažeidimų, neikiškite įrankio, keičiamo akumuliatoriaus arba įkroviklio į skystis ir pasirūpinkite, kad į prietaisus arba akumuliatorius nepatektų jokių skystių. Koroziją sukiantys arba laidūs skystiai, pvz., sūrus vanduo, tam tikri chemikalai ir balikliai arba produktai, kurių sudėtyje yra baliklių, gali sukelti trumpąjį jungimą.

Keičiamus M18 sistemos akumuliatorius kraukite tik „M18“ sistemos įkrovikliais. Nekraukite kitų sistemų akumuliatorių.

Keičiamų akumuliatorių ir įkroviklių nelaikykite atvirai. Laikykite tik sausoje vietoje. Saugokite nuo drėgmės.

NAUDOJIMAS PAGAL PASKIRTĮ

Šis vamzdžių valymo prietaisas yra rankinis prietaisas, skirtas pagrindinio nuotėkų vamzdžio atšakoms valyti, pvz., virtuvėse, voniose ir skalbyklose.

AKUMULIATORIAI

Ilgesnį laiką nenaudotus keičiamus akumuliatorius prieš naudojimą įkraukite.

Aukštesnė nei 50°C temperatūra mažina keičiamų akumuliatorių galią. Venkite ilgesnio saulės ar šilumos šaltinių poveikio.

Įkroviklio ir keičiamo akumuliatoriaus jungiamieji kontaktai visada turi būti švarūs.

Kad prietaisas kuo ilgiau veiktų, pasinaudoję juo, iki galo įkraukite akumuliatorius.

Siekiant užtikrinti kuo ilgesnį baterijos tarnavimo laiką, reikėtų ją po atlikto įkrovimo iškart išimti iš įkroviklio.

Bateriją laikant ilgiau nei 30 dienų, būtina atkreipti dėmesį į šias nuorodas: bateriją laikyti sausoje aplinkoje, esant apie 27°C temperatūrai. Baterijos įkrovimo lygis turi būti nuo 30% iki 50%. Baterija pakartotinai turi būti įkraunama kas 6 mėnesius.

LIČIO JONŲ AKUMULIATORIŲ PERVEŽIMAS

Ličio jonų akumuliatoriams taikomos įstatyminės nuostatos dėl pavojingų krovinių pervežimų.

Šiuos akumuliatorius pervežti būtina laikantis vietinių, nacionalinių ir tarptautinių direktyvų ir nuostatų.

Naudotojai šiuos akumuliatorius gali naudoti savo transporte be jokių kitų sąlygų.

Už komercinį ličio jonų akumuliatorių pervežimą atsako ekspedicijos įmonė pagal nuostatas dėl pavojingų krovinių pervežimo. Pasirošimo išsiųsti ir pervežimo darbus gali atlikti tik atitinkamai išmokyti asmenys. Visas procesas privalo būti prižiūrimas.

Pervežant akumuliatorius būtina laikytis šių punktų:

Siekiant išvengti trumpųjų jungimų, įsitikinkite, kad kontaktai yra apsaugoti ir izoliuoti. Atkreipkite dėmesį, kad akumuliatorius pakuočės viduje neslidinėtų. Draudžiama pervežti pažeistus arba tekančius akumuliatorius. Dėl detalesnių nurodymų kreipkitės į savo ekspedicijos įmonę.

APSAUGA NUO AKUMULIATORIAUS PERKROVOS

Esant akumuliatoriaus perkrovai dėl pernelyg didelio srovės suvartojimo, pvz.: itin didelių apsučių, staiga susstabdomo ar trumpojo jungimo, elektrinis įrankis vibruoja 5 sekundes, signalinis įkrovos rodmuo pradeda mirksėti ir elektrinis įrankis automatiškai išsijungia.

Norint įrankį pakartotinai įjungti, reikia atleisti jungiklį ir vėl jį įjungti.

Esant ekstremalioms apkrovoms akumuliatorius per stipriai įkaista. Tokiu atveju visos įkrovos lempučių mirksi taip ilgai, kol akumuliatorius atvėsta. Užgesus įkrovos rodimenims įrankiu galima naudotis toliau.

Tada akumuliatorių reikia įkišti į įkroviklį, kad jis įsikrautų ir veiktų.

KITI PATARIMAI, KAIP NAUDOTI PRIETAISĄ

Atkreipkite dėmesį į schemas apie įprastą naudojimą.

Įveskite spiralę į vamzdį ir judinkite ją lengvais judesiais pirmyn ir atgal, kol kamštis pasišalinęs.

PATARIMAS: jei įsijungia įrankio blokavimo funkcija, iškart paleiskite jungiklį.

Užblokuoto vamzdžių valymo prietaiso atblokavimas:

Patraukite įrankį kelis centimetrus atgal spiralei sukantis priešinga kryptimi, kad spiralė vėl laisvai judėtų.

Išjunkite įrankį ir palaukite, kol jis nustos dirbti. Tada iš naujo įjunkite prietaisą, kad sukimosi kryptis būtų pirmyn.

ĮSPĖJIMAS! Nuolat įjungiant prietaisą atgaline eiga, gali būti pažeista spiralė ir kitos dalys.



Liet

SPIRALĖS MONTAVIMAS

Spiralės montavimas:

Atkreipkite dėmesį į spiralės montavimo schemas.

PERSPĖJIMAS! Spiralė yra suspaudžiama ir ją montuojant gali išsokti, todėl galima susižeisti. Užsidėkite apsauginius akinius arba akinius su šoninėmis apsaugomis, kad kiek įmanoma sumažintumėte riziką susižeisti.

Visada mėvėkite odines pirštines.

Naują spiralę suvyniokite į vidinį būgną rodyklės nurodyta kryptimi (žiūrėkite būgną). Spiralę visiškai suvyniokite į vidinį būgną.

Perskaitykite naudojimo instrukciją. Naudokite tinkamas apsaugos priemones.

Naudodami spiralę galite liestis su cheminėmis medžiagomis, bakterijomis arba kitomis esdiančiomis, toksiškomis ar infekcinėmis medžiagomis.

Po darbo rankas nusiplauti šiltu vandeniu ir muilu.

Visada naudokite korpuso įdėklą, kad nepažeistumėte spiralės.

TECHNINIS APTARNAVIMAS

Prieš atlikdami bet kokius darbus įrenginyje, išimkite keičiamą akumuliatorių.

Išorinę spiralę nuvalykite skudurėliu ir vėl įdėkite į būgną.

Prieš sandėliuojant vamzdžių valymo prietaisą, visiškai ištraukite spiralę. Nuvalykite ir laisvai suvyniokite spiralę.

Naudokite tik „Milwaukee“ priedus ir „Milwaukee“ atsargines dalis. Dalis, kurių keitimas neaprašytas, leidžiama keisti tik „Milwaukee“ klientų aptarnavimo skyriams (žr. garantiją/klientų aptarnavimo skyrių adresus brošiūroje).

Jei reikia, nurodant įrenginio tipą bei specifikacijų lentelėje esantį numerį, iš klientų aptarnavimo skyriaus arba tiesiai iš Techtronic Industries GmbH, Max-Eyth-Straße 10, 71364 Winnenden, Germany, galima užsisakyti prietaiso surinkimo brėžinius.

CE ATITIKTIES PAREIŠKIMAS

Prisiimdami visą atsakomybę pareiškiame, kad gaminyje, aprašytas „Techniniuose duomenyse“, atitinka taikomus reikalavimus, išdėstytus direktyvose:

2011/65/ES (RoHS), 2006/42/EB, 2014/30/ES

ir buvo taikyti šie darnieji standartai

EN 62841-1:2015

EN 62841-3-14:2017

EN 55014-1:2017+A11:2020

EN 55014-2:2015

EN IEC 63000:2018



Winnenden. 2020-11-16

Alexander Krug / Managing Director

Įgaliotas parengti techninius dokumentus.

Techtronic Industries GmbH

Max-Eyth-Straße 10, 71364 Winnenden, Germany

SIMBOLIAI



DĖMESIO! ĮSPĖJIMAS! PAVOJUS!



Prieš pradėdami dirbti su prietaisu, atidžiai perskaitykite ju naudojimo instrukciją.



Dirbdami su įrenginiu visada nešiokite apsauginius akinius.



Visada mėvėkite apsaugines pirštines, pirmenybė teikiama odinėms!



Sužeidimų pavojus!
Niekada neneškite būgno kaip kuprinės!



Sužeidimų pavojus!
Prieš įjungiant būgną turi būti uždarytas!



Prieš atlikdami bet kokius darbus įrenginyje, išimkite keičiamą akumuliatorių.



Priedas – neįeina į tiekimo komplektaciją, rekomenduojamas papildymas iš priedų asortimento.



Elektros prietaisų, baterijų/akumuliatorių šalinti kartu su buitinėmis atliekomis negalima. Elektros prietaisus ir akumuliatorius reikia surinkti atskirai ir atiduoti perdirbimo įmonei, kad būtų pašalinti aplinkai saugiu būdu. Vietos valdžios institucijose arba specializuotose prekybos vietose pasidomėkite apie perdirbimo ir surinkimo centrus.

n₀ Sūkių skaičius laisva eiga

V Įtampa

— — — Nuolatinė srovė



Europos atitikties ženklas



Britanijos atitikties ženklas





Ukrainos atitikties ženklas



Eurazijos atitikties ženklas



Tehnilised andmed Torupuhastaja	M18 FFSDC		
Tootmisnumber	4609 36 02... ... 000001-999999		
Vahetatava aku pinge	18 V		
Pöörlemiskiirus tühijooksul	0 - 250 min ⁻¹		
Spiraali pikkus	15 m		
spiraali suurus	10 mm	13 mm	16 mm
toru läbimõõt	50 - 75 mm	50 - 100 mm	32 - 75 mm
Kaal vastavalt EPTA-protseduurile 01/2014 (Li-Ion 5,0 Ah)	18,85 kg	23,65 kg	20,45 kg
 Kaal	11,0 kg	15,8 kg	12,6 kg
 Kaal	7,1 kg		
Soovituslik keskkonna temperatuur töötamiseks	-18°C ... +50°C		
Soovituslikud akupakid	M18B...		
Soovituslik laadija	M12-18...		
Müra andmed			
Mööteväärtused on kindlaks tehtud vastavalt normile EN 62841. Seadme tüüpiline hinnanguline (müra tase):			
Helirõhutase (Määramatus K=3dB(A))	72,4 dB (A)		
Helivõimsuse tase (Määramatus K=3dB(A))	83,4 dB (A)		
Kandke kaitseks kõrvaklappe!			



Est

⚠ TÄHELEPANU! Lugege kõik seadmega kaasas olevad ohutusjuhised, juhendid, joonised ja andmed läbi. Ohutusnõuete ja juhiste eiramise tagajärjeks võib olla elektrilöök, tulekahju ja/või raskek vigastused. **Hoidke kõik ohutusnõuded ja juhised edasiseks kasutamiseks hoolikalt alles.**

⚠ TORUPUHASTAJA OHUTUSJUHISED

Haarake pöörlevast spiraalist kinni vaid tootja soovitatud kinnastega. Lateksist või lõdvalt käes istuvad kindad või lapid võivad spiraali ümber keerduda ja põhjustada raskeid vigastusi.

Veenduge, et spiraali ots ei jääks spiraali pöörlemise ajal kinni. Vastasel juhul võib spiraal saada ülekoormuse ja liigselt väänduda, painduda või puruneda, mis võib põhjustada tõsiseid vigastusi.

Kui puhastatav äravoolutoru võib sisaldada kemikaale, baktereid vms toksilisi aineid või nakkusetekitajaid, siis kasutage tootja soovitatud kaitsekinna lateks- või kummikindaid ning kaitseprille, näokaitset, kaitseriietust ja respiraatorit. Torustikud võivad sisaldada kemikaale, baktereid või muid aineid, mis võivad olla mürgised või nakkusohutlikud ning põhjustada põletusi või muid raskeid vigastusi.

Järgige hügieenilaseid ettekirjutusi. Ärge sööge ega suitsutage seadme kasutamise ajal. Pärast torupuhastusseadmetega ümberkäimist või nende kasutamist tuleb käed jm toru sisuga kokku puutunud kehaosad alati sooja vee ja seebiga puhtaks pesta. Nii väldite toksiliste või nakkusohutlike ainetega kokkupuutest tulenevaid tervisriske.

Torupuhastajat tuleb kasutada vaid antud suurustega torude puhul. Vale suurusega torupuhastaja kasutamine võib põhjustada spiraali väändumist, painutamist või purunemist ja tekitada vigastusi.

Kontrollige spiraali enne kasutamist kulumisjälgede ja kahjustuste osas. Vahetage kulunud või kahjustatud spiraal enne torupuhastaja kasutamist välja.

Ärge väänake, painutage ega pöörake spiraali ülemaära. Spiraali purunemine võib põhjustada raskeid vigastusi.

Kontrollige puhastatavat toru enne seadme kasutamist. Määrake nii palju kui võimalik ligipääsuhoht/-kohad, toruühenduse

läbimõõt ja pikkus ning vahekaugus peatorudest, ummistuse liik ja torupuhastusvahendite või muude kemikaalide olemasolu. Kui äravoolutoru sisaldab kemikaale, tuleb tarvitusele võtta vastavad ohutusmeetmed. Vajaliku teabe hankimiseks pöörduge kemikaalitootja poole.

Vajadusel katke tööpiirkond kinni. Äravoolutorude puhastamine võib tekitada mustust.

Veenduge, et spiraal on täielikult sisse tõmmatud. Nii väldite spiraali visklemist seadme sisselülitamisel.

Veenduge, et torupuhastajat on võimalik paigutada toruavast max 15 cm kaugusele. Muul juhul tuleb juurdepääsutele toruavani panna sarnase läbimõõduga sobiv torujupp. Ebakorrektnet spiraali juurdepääsutoru võib põhjustada spiraali väändumist, painutamist või purunemist.

Asetage torupuhastaja toruavast max 15 cm kaugusele. Suurema vahemaa korral on spiraal raskesti kontrollitav ning võib väänduda, painduda või puruneda.

Spiraali ja sisse-välja-lüliti peab kasutama üks ja sama inimene.

Spiraali ei tohi pöörata tagurpidi suunas, v.a selles kasutusjuhendis nimetatud olukordades. See võib spiraali kahjustada ja selle ülesandeks on ainult spiraali tagasitõmbamine torust.

Ärge eemaldage etikette ja tüübisilte. Neil siltidel seisab oluline teave. Kui siltid pole enam loetavad või need puuduvad, siis võtke tasuta asendussilte saamiseks ühendust MILWAUKEE klienditeenindusega.

Edasised ohutus- ja tööjuhised

Kasutada kaitsevarustust. Masinaga töötamisel kanda alati kaitseprille. Kaitseriietusena soovatakse kasutada tolumaski kaitsekindaid, kinniseid ja libisemisvastase tallaga jalanõusid, kiivrit ja kuulmisteede kaitset.

Töö ajal tekkiv tolm on sageli tervistkahjustav ning ei tohiks sattuda organismi. Kanda sobivat kaitsemaski.

Töödelda ei tohi materjale, millest lähtub oht tervisele (nt asbest).

Palun lülitage seade rakendustööriista blokeerumise korral kohe välja! Ärge lülitage seadet sisse tagasi, kuni rakendustööriist on blokeeritud; seejuures võib kõrge reaktsioonimomendiga

tagasiöökk tekkida. Tehke ohutusjuhiseid arvesse võttes kindlaks ja kõrvaldage rakendustööriista blokeerumise põhjus.

Enne kõiki töid masina kallal võtke vahetatav aku välja.

Ärge visake tarvitatud vahetatavaid akusid tulle ega olmeprügisse. Milwaukee pakub vanade akude keskkonnahoidlikku käitlust; palun küsige oma erialasel tarnijalt.

Ärge säilitage vahetatavaid akusid koos metallsemetega (lühiseoht).

Äärmuslikul koormusel või äärmuslikul temperatuuril võib kahjustatud vahetatavast akust akuedelik välja voolata. Akuedelikuga kokkupuutumise korral peske kohe vee ja seebiga. Silma sattumise korral loputage kiiresti põhjalikult vähemalt 10 minutit ning pöörduge viivitamatult arsti poole.

Lühisest põhjustatud tuleohtu, vigastuste või toote kahjustuste vältimiseks ärge kastke tööriista, vahetusakut ega laadimiseadet vedelikku ning jälgige, et vedelikke ei tungiks seadmetesse ega akusse. Korrodeeruvad või elektrit juhtivad vedelikud, nagu soolvesi, teatud kemikaalid ja pleegitusained või pleegitusaineid sisaldavad tooted, võivad põhjustada lühisi.

Laadige süsteemi M18 vahetatavaid akusid ainult süsteemi M18 laadijatega. Ärge laadige nendega teiste süsteemide akusid.

Ärge avage vahetatavaid akusid ega laadijaid ning ladustage neid ainult kuivades ruumides. Kaitske niiskuse eest.

KASUTAMINE VASTAVALT OTSTARBELE

See torupuhastaja on käiseade sekundaarsete äravoolutorude puhastamiseks, nt köökides, vannitubades ja majapidamisruumides.

AKUD

Pikemat aega mittekasutatud akusid laadige veel enne kasutamist.

Temperatuur üle 50 °C vähendab vahetatava aku töövoimet. Vältige pikemat soojenemist päikese või kütteseadme mõjul.

Hoidke laadija ja vahetatava aku ühenduskontaktid puhtad.

Optimaalse patarei eluea tagamiseks, pärast kasutamist lae patareiplokk täielikult.

Akud tuleks võimalikult pika kasutusea saavutamiseks pärast täislaadimist laadijast välja võtta.

Aku ladustamisele üle 30 päeva: Ladustage akut kuivas kohas u 27°C juures. Ladustage akut u 30-50% laetusseisundis. Laadige aku iga 6 kuu tagant täis.

LIITIUMIOONAKUDE TRANSPORTIMINE

Liitiumioonakud on allutatud ohtlike ainete transportimisega seonduvatele õigusaktidele.

Nende akude transportimine peab toimuma kohalikest, sise-riiklikest ja rahvusvahelistest eeskirjadest ning määrustest kinni pidades.

Tarbijad tohivad neid akusid edasiste piiranguteta tänaval transportida.

Liitiumioonakude kommertstransport ekspedeerimisetvõtete kaudu on allutatud ohtlike ainete transportimisega seonduvatele õigusaktidele. Tarne-ettevalmistusi ja transporti tohivad teostada eranditult vastavalt koolitatud isikud. Kogu protsessi tuleb asjatundlikult jälgida.

Akude transportimisel tuleb järgida järgmisi punkte:

Tehke kindlaks, et kontaktid on lühiste vältimiseks kaitsitud ja isoleeritud. Pöörake tähelepanu sellele, et akupakk ei saaks pakendis nihkuda. Kahjustatud või välja voolanud akusid ei tohi kasutada. Pöörduge edasiste juhiste saamiseks ekspedeerimisetvõtete poole.

AKU KOORMUSKAITSE

Aku ülekoormamisel kõrge voolutarbimisega, nt puuri blokeerumisel, lühise tekkimisel või ülikõrgetel pööretel, vibreerib elektritööriist 5 sekundit, laadimistuli vilgub ja tööriist lülitub automaatselt välja.

Uuesti sisse lülitamiseks tuleb päästik esmalt vabastada ning seejärel uuesti alla suruda.

Ülisuurel koormusel võib aku kuumeneda kõrgete temperatuurideni. Sellisel juhul vilguvad kõik laadimistulukesed kuni aku jahtumiseni. Peale laadimistulukeste kustumist võite tööd jätkata.

Aku tuleb laadimiseks ja taasaktiveerimiseks sisestada laadimiseadmesse.

LISAJUHISEID KASUTAMISEKS

Jälgige pilte tavakasutuse kohta.

Juhtige spiraal kergete edasi-tagasiiliigutustega torusse, kuni ummistus on kõrvaldatud.

MÄRKUS: Kui tööriist blokeerub, tuleb lukk kohe vabastada.

Blokeerunud torupuhastaja vabastamine:

Spiraali vabastamiseks tõmmake tööriista mõne sentimeetri võrra tagurpidi suunas tagasi.

Lülitage tööriist välja ja oodake, kuni see seiskub. Seejärel lülitage tööriist uuesti edaspidi pöörlemise suunas sisse.

ETTEVAATUST! Tööriista kasutus edaspidirežiimis tagurpidi suunaga pööretel võib spiraali ja tarvikut kahjustada.

SPIIRAALI MONTEERIMINE

Spiraali monteerimine:

Spiraali monteerimisel järgige pilte.

HOIATUS! Spiraal on surve all ja võib monteerimisel äkitselt tagasiöögi anda, mis võib põhjustada vigastusi. Kandke kaitseprille või küljekaitsemetega prille, et hoida vigastusohu võimalikult väike.

Kandke alati nahkkindaid.

Mähkige uus spiraal noolega näidatud suunas (vt trumlit) sisemisele trumliile. Mähkige spiraal täielikult sisemisele trumliile.

Lugege kasutusjuhendit. Kasutage sobivat kaitsevarustust.

Torupuhastaja kasutamisel võite kokku puutuda kemikaalide, bakterite või muude söövitavate, mürgiste või nakkusohvlike ainetega.

Puhastage käed kasutuse järel sooja vee ja seebiga.

Spiraali kahjustamiseks vältimiseks kasutage alati konteinerivahetükki.

HOOLDUS

Enne kõiki töid masina kallal võtke vahetatav aku välja.

Puhastage vabalt olev spiraal lapiga ja lükake uuesti trumliisse.

Enne torupuhastaja hoieulepanemist tõmmake spiraal täielikult välja. Puhastage spiraal ja kerige kergelt kokku.

Kasutage ainult Milwaukee tarvikuid ja Milwaukee tagavaraosi.

Detailid, mille väljavahetamist pole kirjeldatud, laske välja vahetada Milwaukee klienditeeninduspunkti (vaadake brošüüri garantii / klienditeeninduste aadressid).

Vajaduse korral võite tellida seadme läbilõikejoonise, näidates ära masina tüübi ja andmesildil oleva numbril. Selleks pöörduge klienditeeninduspunkti või otsse: Techtronic Industries GmbH, Max-Eyth-Straße 10, 71364 Winnenden, Germany.



EÜ VASTAVUSAVALDUS

Kinnitame oma ainuvastutusel, et „Tehniliste andmete“ all kirjeldatud toode vastab direktiivide kõigile asjakohastele sätetele: 2011/65/EU (RoHS), 2006/42/EÜ, 2014/30/EU ning täidetud on järgmiste ühtlustatud standardite nõuded.
EN 62841-1:2015
EN 62841-3-14:2017
EN 55014-1:2017+A11:2020
EN 55014-2:2015
EN IEC 63000:2018



Winnenden. 2020-11-16

Alexander Krug / Managing Director
On volitatud koostama tehnilist dokumentatsiooni.
Techtronic Industries GmbH
Max-Eyth-Straße 10, 71364 Winnenden, Germany



SÜMBOLID



ETTEVAATUST! TÄHELEPANU! OHUD!



Palun lugege enne käikulaskmist kasutamisujuhend hoolikalt läbi.



Masinaga töötades kandke alati kaitseprille.



Kandke alati kaitsekindaid – eelistatavalt nahast!



Vigastusoh!

Ärge kunagi kandke trumlit seljakotina!



Vigastusoh!

Enne käivitamist peab trummel olema suletud!



Enne kõiki töid masina kallal võtke vahetatav aku välja.



Tarvikud - ei kuulu tarne komplekti, soovitatav täiendus on saadaval tarvikute programmis.



Elektriseadmeid, patareisid/akusid ei tohi utiliseerida koos majapidamisprügiga. Elektriseadmed ja akud tuleb eraldi kokku koguda ning kõrvaldada keskkonnasõbralikul moel töötlemiskeskusesse. Küsige infot jäätmekäitlusjaamade ja kogumispunktide kohta oma kohalike ametnike või edasimüüja käest.

n₀

Pöörlemiskiirus tühijooksul

V

Pinge



Alalisvool



Euroopa vastavusmärk





Ühendkuningriigi vastavusmärk



Ukraina vastavusmärk



Euraasia vastavusmärk

Технические данные		M18 FFSDC		
Устройство для очистки труб				
Серийный номер изделия	4609 36 02... ... 000001-999999			
Вольтаж аккумулятора	18 V			
Число оборотов без нагрузки	0 - 250 min ⁻¹			
Длина спирали	15 m			
Размер спирали	10 mm	13 mm	16 mm	
Диаметр трубы	50 - 75 mm	50 - 100 mm	32 - 75 mm	
Вес согласно процедуре EPTA 01/2014 (Li-Ion 5,0 Ah)	18,85 kg	23,65 kg	20,45 kg	
 Вес	11,0 kg	15,8 kg	12,6 kg	
 Вес	7,1 kg			
Температура окружающей среды, рекомендованная для эксплуатации	-18°C ... +50°C			
Рекомендованные аккумуляторные блоки	M18B...			
Рекомендованные зарядные устройства	M12-18...			
Информация по шумам				
Значения замерялись в соответствии со стандартом EN 62841. Уровень шума прибора, определенный по показателю A, обычно составляет:				
Уровень звукового давления (Небезопасность K=3dB(A))	72,4 dB (A)			
Уровень звуковой мощности (Небезопасность K=3dB(A))	83,4 dB (A)			
Пользуйтесь приспособлениями для защиты слуха.				



⚠ ВНИМАНИЕ! Ознакомьтесь с правилами техники безопасности, техническими регламентами, изображениями и данными, прилагаемыми к устройству. Упущения, допущенные при не соблюдении указаний и инструкций по технике безопасности, могут стать причиной электрического поражения, пожара и тяжелых травм. **Сохраняйте эти инструкции и указания для будущего использования.**

⚠ ПРАВИЛА ТЕХНИКИ БЕЗОПАСНОСТИ ПРИ ОЧИСТКЕ ТРУБ

Держать вращающуюся спираль разрешается только в перчатках, рекомендованных производителем. Латексные или свободно сидящие перчатки, а также салфетки могут наматываться на спираль и привести к тяжелым травмам.

Следите за тем, чтобы острые спирали не зацепились при вращении спирали. В противном случае возможна перегрузка спирали, ее чрезмерное скручивание, перегиб или излом, что опасно тяжелыми травмами.

Если в выпускной трубе, подлежащей очистке, предполагается наличие химикатов, бактерий или токсичных субстанций, например, возбудителей инфекций, под рекомендованные производителем защитные перчатки наденьте латексные или резиновые перчатки, а также защитные очки, защитный щиток для лица, защитную одежду и респиратор. Трубопроводы могут содержать химикаты, бактерии и другие субстанции, которые могут быть токсичными или заразными и вызывать раздражение или тяжелые повреждения.

Следите за выполнением правил гигиены. Не следует курить и принимать пищу во время пользования прибором. После использования устройства для очистки труб необходимо тщательно вымыть руки и другие части тела, имевшие контакт с содержимым труб, теплой водой с мылом. Это позволит избежать рисков для здоровья в результате контакта с токсичными веществами и возбудителями инфекций.

Устройство для очистки труб предназначено только для труб указанного размера. Использование устройства для очистки труб не подходящего размера может привести к скручиванию, перегибу или излому спирали и к тяжелым травмам.

Перед применением проверьте спираль на наличие следов износа и повреждения. Замените изношенную или поврежденную спираль, прежде чем использовать устройство для очистки труб.

Не допускайте скручивания, перегиба и чрезмерного сгибания спирали. Излом спирали может привести к тяжелым травмам.

Перед использованием устройства проверьте трубу, подлежащую очистке. Определите точку(и) доступа, диаметр и длину трубопровода насколько это возможно, а также удаление от основных трубопроводов, вид засора и наличие средств для очистки труб и других химикатов. Если в выпускной трубе содержатся химикаты, следует принять соответствующие меры безопасности. Обратитесь к производителю химикатов для получения необходимой информации.

Накройте рабочую зону при необходимости. Очистка выпускных труб - обычно очень грязная работа.

Убедитесь, что спираль полностью намотана. Это позволит избежать хлестообразного удара при включении.

Убедитесь, что устройство для очистки труб располагается на расстоянии не более 15 см от отверстия трубы. В противном случае доступ к отверстию трубы должен быть перекрыт соответствующим элементом трубы такого же диаметра. Подведение спирали ненадлежащим образом может привести к ее скручиванию, перегибу или излому.

Расположите устройство для очистки труб на расстоянии не более 15 см от отверстия трубы. При большем удалении нельзя обеспечить должный контроль спирали, что может привести к ее скручиванию, перегибу или излому.

Спираль и выключатель должны быть в управлении одного человека.

За исключением ситуаций, приведенных в данной инструкции, спираль не следует вращать в обратном направлении. Обратное вращение может привести к повреждению спирали и используется только для того, чтобы вынуть спираль в случае засора трубы.

Не удаляйте этикетки и фирменные щитки. Они содержат важную информацию. Если текст на указательных табличках становится нечитабельным или отсутствует, обратитесь в службу поддержки MILWAUKEE для бесплатной замены табличек.

Дополнительные указания по безопасности и работе

Пользоваться средствами защиты. Работать с инструментом всегда в защитных очках. Рекомендуется спецодежда: пылезастыжная маска, защитные перчатки, прочная и нескользящая обувь, каска и наушники.

Пыль, возникающая при работе данным инструментом, может нанести вред здоровью. Не следует допускать её попадания в организм. Надевайте противопылевой респиратор.

Запрещается обрабатывать материалы, которые могут нанести вред здоровью (напр., асбест).

При блокировании используемого инструмента немедленно выключить прибор! Не включайте прибор до тех пор, пока используемый инструмент заблокирован, в противном случае может возникнуть отдача с высоким реактивным моментом. Определите и устраните причину блокирования используемого инструмента с учетом указаний по безопасности.

Выньте аккумулятор из машины перед проведением с ней каких-либо манипуляций.

Не выбрасывайте использованные аккумуляторы вместе с домашним мусором и не сжигайте их. Дистрибьюторы компании Milwaukee предлагают восстановление старых аккумуляторов, чтобы защитить окружающую среду.

Не храните аккумуляторы вместе с металлическими предметами во избежание короткого замыкания.

Аккумуляторная батарея может быть повреждена и дать течь под воздействием чрезмерных температур или повышенной нагрузки. В случае контакта с аккумуляторной кислотой немедленно промойте место контакта мылом и водой. В случае попадания кислоты в глаза промойте глаза в течении 10 минут и немедленно обратитесь за медицинской помощью.

Для предотвращения опасности пожара в результате короткого замыкания, травм и повреждения изделия не опускайте инструмент, сменный аккумулятор или зарядное устройство в жидкости и не допускайте попадания жидкостей внутрь устройств или аккумуляторов. Коррозионные и проводящие жидкости, такие как соленый раствор, определенные химикаты, отбеливающие средства или содержащие их продукты, могут привести к короткому замыканию.

Для зарядки аккумуляторов модели M18 используйте только зарядным устройством M18. Не заряжайте аккумуляторы других систем.

Никогда не вскрывайте аккумуляторы или зарядные устройства и храните их только в сухих помещениях. Следите, чтобы они всегда были сухими.

ИСПОЛЬЗОВАНИЕ

Данное устройство для очистки труб представляет собой ручной прибор для очистки вторичных выпускных труб в кухнях, ванных комнатах хозяйственных помещениях.

АККУМУЛЯТОР

Перед использованием аккумулятора, которым не пользовались некоторое время, его необходимо зарядить.

Температура выше 50°C снижает работоспособность аккумуляторов. Избегайте продолжительного нагрева или прямого солнечного света (риск перегрева).

Контакты зарядного устройства и аккумуляторов должны содержаться в чистоте.

Для обеспечения оптимального срока службы аккумулятор необходимо полностью заряжать после использования прибора.

Для достижения максимально возможного срока службы аккумулятора после зарядки следует вынимать из зарядного устройства.

При хранении аккумулятора более 30 дней: Храните аккумулятор при 27°C в сухом месте. Храните аккумулятор с зарядом примерно 30% - 50%. Каждые 6 месяцев аккумулятор следует заряжать.

ТРАНСПОРТИРОВКА ЛИТИЙ-ИОННЫХ АККУМУЛЯТОРОВ

Литий-ионные аккумуляторы в соответствии с предписаниями закона транспортируются как опасные грузы.

Транспортировка этих аккумуляторов должна осуществляться с соблюдением местных, национальных и международных предписаний и положений.

Эти аккумуляторы могут перевозиться по улице потребителем без дальнейших обязательств.

При коммерческой транспортировке литий-ионных аккумуляторов экспедиторскими компаниями действуют положения, касающиеся транспортировки опасных грузов. Подготовка к отправке и транспортировка должны производиться исключительно специально обученными лицами. Весь процесс должен находиться под контролем специалиста.

При транспортировке аккумуляторов необходимо соблюдать следующие пункты:

Убедитесь, что контакты защищены и изолированы во избежание короткого замыкания. Следите за тем, чтобы аккумуляторный блок не соскользнул внутри упаковки.

Транспортировка поврежденных или протекающих аккумуляторов запрещена. За дополнительными указаниями обратитесь к своему экспедитору.

ЗАЩИТА АККУМУЛЯТОРА ОТ ПЕРЕГРУЗКИ

В случае перегрузки аккумулятора по причине слишком большого потребления электроэнергии, при экстремально большом крутящем моменте, внезапной остановке или коротком замыкании, электроприбор вибрирует в течение 5 секунд, загорается индикатор заряда аккумулятора и электроприбор автоматически выключается. Т.е. работу.

Для повторного включения следует отжать кнопку включения и потом снова включить.

При слишком высоких нагрузках аккумулятор перегревается.

В этом случае загораются все лампы индикатора заряда аккумулятора. Когда аккумулятор остынет и лампы погаснут – можно продолжат.

Чтобы снова зарядить и активировать аккумулятор, подключите его к зарядному устройству.

ДОПОЛНИТЕЛЬНЫЕ СОВЕТЫ ПО ЭКСПЛУАТАЦИИ

При эксплуатации руководствуйтесь рисунками.

Вводите спираль в трубу поступательными движениями вперед-назад, пока засор не будет ликвидирован.

УКАЗАНИЕ: при блокировке инструмента немедленно отпустите выключатель.

Для разблокирования устройства:

Потяните инструмент на несколько сантиметров с обратным вращением спирали, чтобы освободить ее.

Отключите инструмент и дождитесь его остановки. Включите инструмент и продолжайте работать в режиме прямого вращения.

ОСТОРОЖНО! Постоянная эксплуатация инструмента в режиме обратного вращения может привести к повреждению спирали и принадлежностей.

МОНТАЖ СПИРАЛИ

Монтаж спирали:

Принимайте во внимание рисунки при монтаже спирали.

ПРЕДУПРЕЖДЕНИЕ! Спираль находится под натяжением и во время монтажа может неожиданно выскочить, что опасно травмами. Надевайте защитные очки или очки с боковой защитой, чтобы минимизировать опасность травм.

Всегда носите кожаные перчатки.

Намотайте новую спираль на внутренний барабан в направлении стрелки (см. барабан). Намотайте спираль на барабан полностью.

Прочтите инструкцию по эксплуатации. Используйте специальные защитные средства.

При использовании устройства для очистки труб на вас могут попадать химикаты, бактерии или другие едкие, токсичные или инфекционные вещества.

После использования вымыть руки теплой водой с мылом.

Всегда используйте насадку контейнера во избежание повреждения спирали.

ОБСЛУЖИВАНИЕ

Выньте аккумулятор из машины перед проведением с ней каких-либо манипуляций.

Вынутую спираль протереть тряпкой и снова вставить в барабан.

Перед хранением устройства для очистки труб полностью вынуть спираль. Почистить спираль и смотать ее неплотно.

Пользуйтесь аксессуарами и запасными частями Milwaukee.

В случае возникновения необходимости в замене, которая не была описана, обращайтесь в один из сервисных центров по обслуживанию электроинструментов Milwaukee (см. список сервисных организаций).

При необходимости может быть заказан чертеж инструмента с трехмерным изображением деталей. Пожалуйста, укажите номер и тип инструмента и закажите чертеж у Ваших местных агентов или непосредственно у Techtronic Industries GmbH, Max-Eyth-Straße 10, 71364 Winnenden, Germany.

ДЕКЛАРАЦИЯ О СООТВЕТСТВИИ СТАНДАРТАМ ЕС

Мы несем исключительную ответственность за то, что изделие, описанное в разделе «Техническая информация» соответствует всем применимым положениям директив:

2011/65/EU (RoHS), 2006/42/EC, 2014/30/EU

а также следующим согласованным стандартам

EN 62841-1:2015

EN 62841-3-14:2017

EN 55014-1:2017+A11:2020

EN 55014-2:2015

EN IEC 63000:2018



Winnenden. 2020-11-16

Alexander Krug / Managing Director
Уполномочен на составление технической документации.
Techtronic Industries GmbH
Max-Eyth-Straße 10, 71364 Winnenden, Germany



СИМВОЛЫ



ВНИМАНИЕ! ПРЕДУПРЕЖДЕНИЕ! ОПАСНОСТЬ!



Пожалуйста, внимательно прочтите инструкцию по использованию перед началом любых операций с инструментом.



При работе с инструментом всегда надевайте защитные очки.



Всегда носите защитные перчатки, предпочтительно кожаные!



Травмоопасно!
Не переносить барабан на спине, как рюкзак!



Травмоопасно!
Перед запуском убедиться, что барабан закрыт!



Выньте аккумулятор из машины перед проведением с ней каких-либо манипуляций.



Принадлежности - В стандартную комплектацию не входит, поставляется в качестве дополнительной принадлежности.



Электроприборы, батареи/аккумуляторы запрещено утилизировать вместе с бытовым мусором. Электрические приборы и аккумуляторы следует собирать отдельно и сдавать в специализированную компанию для утилизации в соответствии с нормами охраны окружающей среды. Получите в местных органах власти или у вашего специализированного дилера сведения о центрах вторичной переработки и пунктах сбора.

n₀ Число оборотов без нагрузки

V Напряжение



Постоянный ток



Европейский знак соответствия



Британский знак соответствия





Украинский знак соответствия



001
Eurasian

Евразийский знак соответствия

Технически данни		M18 FFSDC		
Инструмент за почистване на тръби				
Производствен номер	4609 36 02... ... 000001-999999			
Напрежение на акумулатора	18 V			
Обороти на празен ход	0 - 250 min ⁻¹			
Дължина на спиралата	15 m			
Размер на спиралата	10 mm	13 mm	16 mm	
Диаметър на тръбата	50 - 75 mm	50 - 100 mm	32 - 75 mm	
Тегло съгласно процедурата EPTA 01/2014 (Li-Ion 5,0 Ah)	18,85 kg	23,65 kg	20,45 kg	
 Тегло	11,0 kg	15,8 kg	12,6 kg	
 Тегло	7,1 kg			
Препоръчителна температура на околната среда при експлоатация	-18°C ... +50°C			
Препоръчителни акумулаторни батерии	M18B...			
Препоръчителни зарядни устройства	M12-18...			
Информация за шума				
Измерените стойности са получени съобразно EN 62841. Оцененото с A ниво на шума на уреда е съответно:				
Равнище на звуковото налягане (Несигурност K=3dB(A))	72,4 dB (A)			
Равнище на мощността на звука (Несигурност K=3dB(A))	83,4 dB (A)			
Да се носи предпазно средство за слуха!				



БЪЛ

⚠ ВНИМАНИЕ! Прочетете всички указания за безопасност, инструкции, изображенията и техническите данни, които получавате с уреда. Пропуски при спазването на указанията и на инструкциите за безопасност могат да доведат до токов удар, пожар и/или тежки наранявания. **Запаметте всички указания и инструкции за безопасност за бъдещето.**

⚠ УКАЗАНИЯ ЗА БЕЗОПАСНОСТ ЗА ИНСТРУМЕНТИ ЗА ПОЧИСТВАНЕ НА ТРЪБИ

Хващайте въртящата се спирапа само с препоръчаните от производителя ръкавици. Латексовите или хлабавите ръкавици, респ. кърпи, могат да се навият около спиралата и да предизвикат тежки наранявания.

Уверете се, че върхът на спиралата не се заклещва, докато спиралата се върти. В противен случай спиралата може да се претовари и да се усуче прекомерно, огъне или пречупи, което да доведе до тежки наранявания.

Когато е вероятно отходната тръба, която ще се почиства, да съдържа химикали, бактерии или други токсични вещества, респ. причинители на инфекции, използвайте латексови или гумени ръкавици от препоръчаните от производителя, както и защитни очила, защита за лицето, защитно облекло и дихателна маска. Тръбопроводите могат да съдържат химикали, бактерии или други вещества, които са токсични или предизвикват инфекции и изгаряния, или могат да причинят тежки наранявания.

Спазвайте хигиенните предписания. Не се хранете и не пушете, докато използвате уреда. След боравене с или употреба на уреда за почистване на тръби, ръцете и останалите части на тялото, които са били в контакт със съдържанието на тръбите, винаги трябва да се измият с топла вода и сапун. Така ще избегнете рисковете за здравето поради контакта с токсични или предизвикващи инфекции вещества.

Инструментът за почистване на тръби трябва да се използва само за тръби с посочените размери. Използването на инструмента за почистване на тръби с

неправилен размер може да доведе до усукване, прегъване или пречупване на спиралата и до наранявания.

Преди употреба проверете спиралата за следи от износване и повреди. Преди работа с инструмента за почистване на тръби заменете износената или повредена спирала.

Не усуквайте, не пречупвайте и не огъвайте прекомерно спиралата. Счупването на спиралата може да причини тежки наранявания.

Преди използване на уреда проверявайте тръбата, която ще почиствате. Доколкото е възможно, определете точката/точките за достъп, диаметъра и дължината на тръбопровода, както и разстоянието до основните тръбопроводи, вида на запущването и наличието на средства за почистване на тръби или други химикали. Ако в отходната тръба се намират химикали, трябва да се вземат съответните мерки за безопасност. Свържете се с производителя на химикалите, за да получите необходимата информация.

При необходимост покривайте работната зона.

При почистването на отходни тръби може да се получат замърсявания наоколо.

Уверете се, че спиралата е напълно размотана. Така ще избегнете ударите от спиралата при включване.

Уверете се, че уредът за почистване на тръби може да се разположи на разстояние от най-много 15 cm от отвора на тръбата. В противен случай достъпът до отвора на тръбата може да се подпомогне с подходящо парче тръба с подобен диаметър. Неправилното вкарване на спиралата може да доведе до усукване, прегъване или пречупване на спиралата.

Разположете уреда за почистване на тръби на разстояние от най-много 15 cm от отвора на тръбата. При по-голямо разстояние спиралата не може да се контролира добре и може да се усуче, прегъне или пречупи.

Спиралата и бутонът за включване/изключване трябва да се обслужват от едно и също лице.

С изключение на ситуацията, посочени в тази инструкция, спиралата не бива да се върти обратно.

Въртенето наобратно може да доведе до повреда на спиралата и уредът само за случай, когато спиралата трябва да бъде изтеглена обратно при запушване на тръбата.

Не сваляйте етикетите и типове табелки. Тези табелки съдържат важна информация. Ако указателните табелки вече не са четливи или липсват, свържете се с клиентския сервиз на MILWAUKEE, за да получите безплатни резервни табелки.

Допълнителни указания за работа и безопасност

Да се използват предпазни средства. При работа с машината винаги носете предпазни очила. Препоръчват се защитно облекло и прахозащитна маска, защитни ръкавици, здрави и нехлъзгащи се обувки, каска и предпазни средства за слуха. Прахът, който се образува при работа, често е вреден за здравето и не бива да попада в тялото. Да се носи подходяща прахозащитна маска.

Не е разрешена обработката на материали, които представляват опасност за здравето (напр. азбест). Ако използваният инструмент блокира, изключете веднага уреда! Не включвайте уреда отново, докато използваният инструмент е блокиран; това би могло да доведе до откат с висока реактивна сила. Открийте и отстранете причината за блокирането на използвания инструмент имайки в предвид инструкциите за безопасност.

Преди започване на каквото е да е работи по машината извадете акумулатора.

Не изхвърляйте изхабените акумулатори в огъня или в при битовите отпадъци. Milwaukee предлага екологосъобразно събиране на старите акумулатори; моля попитайте Вашия специализиран търговец.

Не съхранявайте акумулаторите заедно с метални предмети (опасност от късо съединение).

При екстремно натоварване или екстремна температура от повредени акумулатори може да изтече батерийна течност. При допир с такава течност веднага измийте с вода и сапун. При контакт с очите веднага изплаквайте старателно най-малко 10 минути и незабавно потърсете лекар.

За да избегнете опасността от пожар, предизвикана от късо съединение, както и нараняванията и повредите на продукта, не потапяйте инструмента, сменяемата акумулаторна батерия или зарядното устройство в течности и се погрижете в уредите и акумулаторните батерии да не попадат течности. Течностите, предизвикващи корозия или провеждащи електричество, като солена вода, определени химикали, избелващи вещества или продукти, съдържащи избелващи вещества, могат да предизвикат късо съединение.

Акумулатори от системата M18 да се зареждат само със зарядни устройства от системата M18 laden. Да не се зареждат акумулатори от други системи.

Не отваряйте акумулатори и зарядни устройства и ги съхранявайте само в сухи помещения. Пазете ги от влага.

ИЗПОЛЗВАНЕ ПО ПРЕДНАЗНАЧЕНИЕ

Уредът за почистване на тръби е ръчен уред за почистване на вторични отходни тръби като например в кухни, бани и домакински помещения.

АКУМУЛАТОРИ

Акумулатори, които не са повзвани по-дълго време, преди употреба да се дозаредят. Температура над 50°C намалява мощността на акумулатора. Да се избягва по-продължително нагряване на слънце или от отопление.

Поддържайте чисти присъединителните контакти на зарядното устройство и на акумулатора.

За оптимална продължителност на живот след употреба батериите трябва да се заредят напълно.

За възможно по-дълга продължителност на живот батериите трябва да се изваждат от уреда след зареждане.

При съхранение на батериите за повече от 30 дни: съхранявайте батерията при прибл. 27°C и на сухо място. Съхранявайте батерията при 30 до 50 % от заряда. Зареждайте батерията на всеки 6 месеца.

ПРЕВОЗ НА ЛИТИЕВО-ЙОННИ БАТЕРИИ

Литиево-йонните батерии са предмет на законите разпоредби за превоз на опасни товари.

Превозът на тези батерии трябва да се извършва в съответствие с местните, националните и международните разпоредби и регламенти.

Потребителите могат да превозват тези батерии по пътя без допълнителни изисквания.

Превозът на литиево-йонни батерии от транспортни компании е предмет на законите разпоредбите за превоз на опасни товари. Подготовката на превоза и самият превоз трябва да се извършват само от обучени лица. Целият процес трябва да е под професионален надзор.

Спазвайте следните изисквания при превоз на батерии:

Уверете се, че контактите са защитени и изолирани, за да се избегне късо съединение. Уверете се, че няма опасност от разместване на батерията в опаковката. Не превозвайте повредени батерии или такива с течове. Обърнете се към Вашата транспортна компания за допълнителни инструкции.

ЗАЩИТА ОТ ПРЕТОВАРВАНЕ НА БАТЕРИЯТА

При претоварване на батерията вследствие на голямо потребление на енергия, например изключително високи въртящи моменти, , внезапно спиране или късо съединение, електрическият инструмент вибрира в продължение на 5 секунди, мига индикаторът за зареждане и електрическият инструмент се изключва сам.

За да го включите повторно, освободете превключвателя и след това включете уреда.

При екстремни натоварвания батерията се нагрява значително. В този случай всички светлини на индикатора за зареждане мигат дотогава, докато батерията се охлади. След изгасване на индикатора за зареждане можете да продължите работата с уреда.

Тогава акумулаторът да се включи към зарядното устройство, за да се дозареди и активира.

ДОПЪЛНИТЕЛНИ СЪВЕТИ ЗА УПОТРЕБАТА

Сълюдавайте изображенията за нормалната употреба.

Вкарвайте спиралата с леко движение напред-назад в тръбата, докато запушването бъде отстранено.



БЪЛ

УКАЗАНИЕ: Ако инструментът блокира, веднага пуснете преключвателя.

Освобождаване на блокиран уред за почистване на тръби: Изтеглете инструмента няколко сантиметра назад, за да освободите спиралата.

Изключете инструмента и изчакайте да спре. След това отново включете инструмента в посока въртене напред.

ВНИМАНИЕ! Продължаване на използването на инструмента при въртене назад може да причини повреда на спиралата и принадлежностите.

МОНТИРАНЕ НА СПИРАЛАТА

Монтиране на спиралата:

Сблюдавайте изображенията за монтажа на спиралата.

ПРЕДУПРЕЖДЕНИЕ! Спиралата е под налягане и при монтаж може внезапно да изскочи, което да доведе до наранявания. Носете предпазни очила или очила със странична защита, за да ограничите максимално опасността от нараняване.

Винаги носете кожни ръкавици.

Навийте новата спирала по посока на стрелката (вижте барабана) във вътрешния барабан. Навийте спиралата изцяло във вътрешния барабан.

Прочетете ръководството за експлоатация. Използвайте подходящи предпазни средства.

При работа с уреда за почистване на тръби можете да влезете в съприкосновение с химикали, бактерии или други агресивни, токсични или инфекциозни субстанции.

След използване винаги измивайте ръцете с топла вода и сапун.

Винаги използвайте вложката за съда, за да избегнете повреда на спиралата.

ПОДДРЪЖКА

Преди започване на каквито е да е работи по машината извадете акумулатора.

Избършете освободената спирала с парцал и отново я вкарайте в барабана.

Преди прибиране на инструмента за почистване на тръби, изтеглете спиралата изцяло навън. Почистете спиралата и я навийте свободно.

Да се използват само аксесоари на Milwaukee и резервни части на Milwaukee. Елементи, чията подмяна не е описана, да се дадат за подмяна в сервиз на Milwaukee (вижте брошурата „Гаранция и адреси на сервизи“).

При необходимост можете да поискате за уреда от Вашия сервиз или директно от Techtronic Industries GmbH, Max-Eyth-Strasse 10, 71364 Winnenden, Germany, чертеж за в случай на експлозия, като посочите типа на машината и номер върху заводската табелка.

СЕ - ДЕКЛАРАЦИЯ ЗА СЪОТВЕТСТВИЕ

Ние декларираме, изцяло на наша отговорност, че продуктът, описан в „Технически данни“, съответства на всички необходими изисквания на директивите:

2011/65/EC (RoHS), 2006/42/EO, 2014/30/EC

и че са използвани следните хармонизирани стандарти

EN 62841-1:2015

EN 62841-3-14:2017

EN 55014-1:2017+A11:2020

EN 55014-2:2015

EN IEC 63000:2018



Winnenden. 2020-11-16

Alexander Krug / Managing Director
Упълномощен за съставяне на техническата документация
Techtronic Industries GmbH
Max-Eyth-Strasse 10, 71364 Winnenden, Germany

СИМВОЛИ



ВНИМАНИЕ! ПРЕДУПРЕЖДЕНИЕ! ОПАСНОСТ



Преди пускане на уреда в действие моля прочетете внимателно инструкцията за използване.



При работа с машината винаги носете предпазни очила.



Винаги носете защитни ръкавици, за предпочитане кожни!



Опасност от травми!
Никога не носете барабана като раница!



Опасност от травми!
Никога не носете барабана като раница!



Преди започване на каквито е да е работи по машината извадете акумулатора.



Аксесоари - Не се съдържат в обема на доставката, препоръчано допълнение от програмата за аксесоари.



Електрическите уреди, батерии/акумулаторни батерии не трябва да се изхвърлят заедно с битовите отпадъци. Електрическите уреди и акумулаторни батерии трябва да се събират отделно и да се предават на службите за рециклиране на отпадъците според изискванията за опазване на околната среда. Информирайте се при местните служби или при местните специализирани търговци относно местата за събиране и центровете за рециклиране на отпадъци.

n₀

Обороти на празен ход

V

Напрежение



Постоянен ток



Европейски знак за съответствие



Британски знак за съответствие





Украински знак за съответствие



Евро-азиатски знак за съответствие



Date tehnice Dispozitiv de curățat țevi		M18 FFSDC		
Număr producție	4609 36 02... ... 000001-999999			
Tensiune acumulator	18 V			
Viteza de mers în gol	0 - 250 min ⁻¹			
Spirală lungă	15 m			
Dimensiune spirală	10 mm	13 mm	16 mm	
Diametru teavă	50 - 75 mm	50 - 100 mm	32 - 75 mm	
Greutatea conform „EPTA procedure 01/2014” (Li-Ion 5,0 Ah)	18,85 kg	23,65 kg	20,45 kg	
 Greutate	11,0 kg	15,8 kg	12,6 kg	
 Greutate	7,1 kg			
Temperatură ambientală recomandată pentru funcționare	-18°C ... +50°C			
Seturi de baterii recomandate	M18B...			
Încărcător de baterii recomandat	M12-18...			
Informație privind zgomotul	Valori măsurate determinate conform EN 62841. Nivelul de zgomot evaluat cu A al aparatului este tipic de:			
Nivelul presiunii sonore (Nesiguranță K=3dB(A))	72,4 dB (A)			
Nivelul sunetului (Nesiguranță K=3dB(A))	83,4 dB (A)			
Purtați căști de protecție				



Ro

⚠️ AVERTISMENT! Citiți toate instrucțiunile de securitate, recomandările, reprezentările grafice și datele pe care le primiți livrate împreună cu aparatul. Nerespectarea indicațiilor de avertizare și a instrucțiunilor poate provoca electrocutare, incendii și/sau răni grave. **Păstrați toate indicațiile de avertizare și instrucțiunile în vederea utilizărilor viitoare.**

⚠️ INDICAȚII DE SIGURANȚĂ PENTRU DISPOZITIVUL DE CURĂȚAT ȚEVI

Apucați spirala în rotație numai cu mânușile recomandate de producător. Mânușile din latex sau mânușile largi, resp. articolele de stofă se pot înfășura în jurul spiralei și pot provoca răni grave.

Cât timp spirala se rotește asigurați-vă că aceasta nu se prinde de ceva și se blochează. În caz contrar, spirala poate fi suprasolicitată, se poate răscuci excesiv în gol, îndoii sau rupe, ceea ce poate provoca răni.

Dacă țeava de scurgere de curățat poate conține substanțe chimice, bacterii sau alte substanțe toxice, resp. agenți infecțioși, atunci utilizați mânușile de protecție din latex sau cauciuc recomandate de producător, precum și ochelarii de protecție, masca de protecție a feței, îmbrăcămintea de protecție și masca de protecție a respirației recomandate de acesta. Conductele pot să conțină substanțe chimice, bacterii sau alte substanțe care pot fi toxice sau pot provoca infecții, iritații sau alte răni grave.

Respectați normele de igienă. Nu mâncați și nu fumați în timpul utilizării aparatului. După manipularea sau utilizarea dispozitivelor de curățat țevi, mâinile și alte părți ale corpului care au intrat în contact cu conținutul țevii trebuie spălate întotdeauna cu apă caldă și săpun. Astfel preveniți riscurile de îmbolnăvire din cauza contactului cu substanțele toxice sau infecțioase.

Dispozitivul de curățat țevi trebuie utilizat numai pentru țevile cu dimensiunea indicată. Utilizarea unui aparat de curățat țevi cu dimensiune inadecvată poate produce răscucirea, îndoirea sau ruperea spiralei și poate provoca răni.

Înainte de utilizare, verificați spirala referitor la urme de uzură și deteriorări. Înlocuiți spirala uzată sau deteriorată înainte de utilizarea dispozitivului de curățat țevi.

Nu răscuciți, nu îndoiiți și nu curbați excesiv spirala. Ruperea spiralei poate provoca răni grave.

Inspectați țeava de curățat înainte de utilizarea aparatului. În măsura în care este posibil, stabiliți punctele de acces, diametrul și lungimea conductei, precum și distanța față de conductele principale, tipul obturației și prezența detergenților pentru țevi sau a altor substanțe chimice. În cazul în care în țeava de scurgere se găsește substanțe chimice, trebuie luate măsuri de siguranță corespunzătoare. Adresați-vă producătorului substanțelor chimice respective în vederea obținerii informațiilor necesare.

Dacă este necesar, acoperiți zona de lucru. Curățarea țevilor de scurgere poate să producă murdărie.

Asigurați-vă că spirala este complet înfășurată. Astfel evitați lovitură ca de bici a spiralei la pornire.

Asigurați-vă că dispozitivul de curățat țevi poate fi plasat la o distanță de maxim 15 cm față de deschiderea țevii. În caz contrar, accesul la deschiderea țevii trebuie adaptat cu o bucată de țeavă adecvată, cu același diametru. Avansul inadecvat al spiralei poate să determine răscucirea, îndoirea sau ruperea spiralei.

Poziționați dispozitivul de curățat țevi la o distanță de maxim 15 cm față de deschiderea țevii. În cazul unei distanțe mai mari, spirala poate fi doar cu greu controlată și este posibilă răscucirea, îndoirea sau ruperea acesteia.

Spirala și comutatorul pentru pornire/oprire trebuie operate de aceeași persoană.

Cu excepția situațiilor precizate în acest manual, spirala nu trebuie rotită înapoi. Rotirea spre înapoi poate determina deteriorarea spiralei și este utilizată exclusiv pentru scoaterea spiralei în cazul unei țevi infundate.

Nu înlăturați etichetele și plăcuțele de fabricație. Aceste plăcuțe conțin informații importante. Dacă aceste plăcuțe indicatoare devin ilizibile sau dacă lipsesc, adresați-vă serviciului pentru clienți MILWAUKEE pentru a le înlocui gratuit.

Română

Instrucțiuni suplimentare de siguranță și de lucru

Folosiți echipament de protecție . Purtați întotdeauna ochelari de protecție când lucrați cu mașina . Se recomandă utilizarea hainelor de protecție ca de ex. Măști contra prafului, mănuși de protecție, încălțăminte stabilă nealunecoasă, cască și apăraătoare de urechi.

Praful care apare când se lucrează cu această sculă poate fi dăunător sănătății și prin urmare nu trebuie să atingă corpul.

Purtați o mască de protecție corespunzătoare împotriva prafului.

Nu se admite prelucrarea unui material care poate pune în pericol sănătatea operatorului (de exemplu azbestul).

La blocarea sculei demontabile vă rugăm să deconectați imediat aparatul! Nu conectați aparatul atâta timp cât scula demontabilă este blocată; dacă o faceți, s-ar putea să se producă un recul cu un cuplu mare de reacție. Găsiți și remediați cauza de blocare a sculei demontabile respectând indicațiile pentru siguranță.

Îndepărtați acumulatorul înainte de începerea lucrului pe mașina Nu aruncați acumulatorii uzați la containerul de reziduri menajere și nu îi ardeți. Milwaukee Distributors se oferă să recupereze acumulatorii vechi pentru protecția mediului înconjurător.

Nu depozitați acumulatorul împreună cu obiecte metalice (risc de scurtcircuit)

Acidul se poate scurge din acumulatorii deteriorați la încălziri sau temperaturi extreme. În caz de contact cu acidul din acumulator, spălați imediat cu apă și săpun. În caz de contact cu ochii, clătiți cu atenție timp de cel puțin 10 minute și apelați imediat la îngrijire medicală.

Pentru a reduce pericolul unui incendiu și evitarea răniilor sau deteriorarea produsului în urma unui scurtcircuit nu imersați scula, acumulatorul de schimb sau încărcătorul în lichide și asigurați-vă să nu pătrundă lichide în aparate și acumulatori. Lichidele corosive sau cu conductibilitate, precum apa sărată, anumite substanțe chimice și înalbitori sau produse ce conțin înalbitori, pot provoca un scurtcircuit.

Folosiți numai încărcătoare System M18 pentru încărcarea acumulatorilor System M18. Nu folosiți acumulatori din alte sisteme.

Nu deschideți niciodată acumulatorii și încărcătoarele și pastrați-le numai în încăperi uscate. Pastrați-le întotdeauna uscate .

CONDIȚII DE UTILIZARE SPECIFICATE

Acest dispozitiv de curățat țevi este o unealtă de mână destinată curățării țevilor de scurgere secundare, de ex. în bucătării, băi și spații menajere.

ACUMULATORI

Acumulatorii care nu au fost utilizați o perioadă de timp trebuie reincărcați înainte de utilizare

Temperatura mai mare de 50°C (122°F) reduce performanța acumulatorului. Evitați expunerea prelungită la căldură sau radiație solară (risc de supraîncălzire)

Contactele încărcătoarelor și acumulatorilor trebuie păstrate curate.

În scopul optimizării duratei de funcționare, bateriile trebuie reincărcate complet după utilizare.

Pentru o durată de viață cât mai lungă, acumulatorii ar trebui scoși din încărcător după încărcare.

La depozitarea acumulatorilor mai mult de 30 zile: Acumulatorii se depozitează la cca. 27°C și la loc uscat. Acumulatorii se depozitează la nivelul de încărcare de cca. 30%-50%. Acumulatorii se încarcă din nou la fiecare 6 luni.

TRANSPORTUL ACUMULATORILOR CU IONI DE LITIU

Acumulatorii cu ioni de litiu cad sub incidența prescripțiilor legale pentru transportul de mărfuri periculoase.

Transportul acestor acumulatori trebuie să se efectueze cu respectarea prescripțiilor și reglementărilor pe plan local, național și internațional.

Consumatorilor le este permis transportul rutier nerestricționat al acestui tip de acumulatori.

Transportul comercial al acumulatorilor cu ioni de litiu prin intermediul firmelor de expediție și transport este supus reglementărilor transportului de mărfuri periculoase. Pregătirile pentru expediție și transportul au voie să fie efectuate numai de către personal instruit corespunzător. Întregul proces trebuie asistat în mod competent.

Următoarele puncte trebuie avute în vedere la transportul acumulatorilor:

Pentru a se evita scurtcircuite, asigurați-vă de faptul că sunt protejate și izolate contactele. Aveți grijă ca pachetul de acumulatori să nu poată aluneca în altă poziție în interiorul ambalajului său. Este interzis transportarea unor acumulatori deteriorați sau care pierd lichid. Pentru indicații suplimentare adresați-vă firmei de expediție și transport cu care colaborați.

PROTECȚIE SUPRAÎNCĂRCARE ACUMULATOR

În cazul unei suprasolicitări a acumulatorului datorită unui consum excesiv de curent electric, de ex. datorită unor momente de turajie extrem de înalte, a unei opriri subite sau a unui scurt circuit, scula electrică trepidează timp de 5 secunde, indicația stării de încărcare pâlpâie și scula electrică se deconectează de la sine. Pentru reconectare dați drumul intrerupătorului și conectați din nou.

În cazul unor sarcini extreme, acumulatorul se încinge prea tare. În acest caz toate lămpile indicației stării de încărcare pâlpâie până când acumulatorul s-a răcit. După ce indicația stării de încărcare s-a stins se poate lucra mai departe.

Pentru a-l reincărca și activa, puneți acumulatorul în în aparatul de încărcare.

INDICAȚII SUPPLEMENTARE ÎN VEDEREA UTILIZĂRII

Respectați imaginile pentru utilizarea normală.

Introduceți spirala în țeavă printr-o mișcare ușoară înainte și înapoi, până când obturația este eliminată.

INDICAȚIE: Dacă scula se blochează, eliberați imediat comutatorul.

Eliberarea unui dispozitiv de curățat țevi blocat:

Trageți scula înapoi câțiva centimetri, în sensul de rotație de înapoiere, pentru a elibera spirala.

Oprii scula și așteptați până când se află în stare de repaus. Apoi porniți din nou scula în sensul de rotație de înaintare.

ATENȚIE! Exploatarea continuă a sculei în sensul de rotație de înapoiere poate determina o deteriorare a spiralei și a accesoriilor.

MONTAREA SPIRALEI

Montarea spiralei:

Respectați imaginile pentru montarea spiralei.

AVERTIZARE! Spirala este tensionată și poate sări brusc înainte la montaj, ceea ce poate provoca rănirea. Purtați ochelari de protecție sau ochelari cu protecție laterală, pentru a menține riscul de rănire la un nivel cât mai scăzut posibil.

Purtați întotdeauna mănuși din piele.

Înfășurați noua spirală în sensul săgeții (vezi tamburul) în tamburul interior. Înfășurați complet spirala în tamburul interior.

Citiți instrucțiunile de utilizare. Folosiți echipament de protecție adecvat.

La utilizarea unui produs de curățare a țevilor puteți veni în contact cu chimicale, bacterii sau alte substanțe iritante, toxice sau infecțioase.



După utilizare spălați mâinile cu apă și săpun.
Folosiți întotdeauna inserția pentru rezervor, pentru a evita o deteriorare a spiralei.

INTREȚINERE

Îndepărtați acumulatorul înainte de începerea lucrului pe mașina Ștergeți spirala expusă cu o lavetă și introduceți-o la loc în tambur. Înainte de a depozita dispozitivul de curățat țevi, scoateți spirala complet în afară. Curățați spirala și înfășurați-o fără să o tensionați. Utilizați numai accesoriile și piesele de schimb Milwaukee. Dacă unele din componente care nu au fost descrise trebuie înlocuite, vă rugăm contactați unul din agenții de service Milwaukee (vezi lista noastră pentru service / garanți

Dacă este necesară, se poate comanda o imagine descompusă a sculei. Vă rugăm menționați numărul art. Precum și tipul mașinii tipărit pe etichetă și comandați desenul la agenții de service locali sau direct la Techtronic Industries GmbH, Max-Eyth-Straße 10, 71364 Winnenden, Germany.

DECLARAȚIE DE CONFORMITATE

Declaram pe propria răspundere că produsul descris în capitolul „Date tehnice” îndeplinește toate cerințele relevante ale directivelor:

2011/65/UE (RoHS), 2006/42/CE, 2014/30/UE
și au fost utilizate următoarele standarde armonizate
EN 62841-1:2015
EN 62841-3-14:2017
EN 55014-1:2017+A11:2020
EN 55014-2:2015
EN IEC 63000:2018



Winnenden. 2020-11-16

Alexander Krug / Managing Director
Împuternicit să elaboreze documentația tehnică.
Techtronic Industries GmbH
Max-Eyth-Straße 10, 71364 Winnenden, Germany

SIMBOLURI



PERICOL! AVERTIZARE! ATENȚIE!



Vă rugăm citiți cu atenție instrucțiunile înainte de pornirea mașinii



Purtați întotdeauna ochelari de protecție când utilizați mașina.



Purtați întotdeauna mănuși de protecție – de preferință din piele!



Pericol de accidentare!
Nu purtați niciodată tamburul ca pe un rucsac!



Pericol de accidentare!
Înainte de pornire trebuie să fie închis tamburul!



Îndepărtați acumulatorul înainte de începerea lucrului pe mașina



Accesorii - Nu este inclus în echipamentul standard, disponibil ca accesoriu



Aparatele electrice, bateriile/acumulatorii nu se elimină împreună cu deșeurile menajere. Aparatele electrice și acumulatorii se colectează separat și se predau la un centru de reciclare, în vederea eliminării ecologice. Informații-vă de la autoritățile locale sau de la comerțanții acreditați în legătură cu centrele de reciclare și de colectare.

n₀ Viteza de mers în gol

V Tensiune



Curent continuu

Marcă de conformitate europeană

Marcă de conformitate britanică

Marcă de conformitate ucraineană

Marcă de conformitate eurasiatică

Технички податоци		M18 FFSDC		
Чистач на цевки				
Произведен број		4609 36 02... ... 000001-999999		
Волтажа на батеријата		18 V		
Брзина без оптоварување		0 - 250 min ⁻¹		
Должина на спиралата		15 m		
Големина на спирала		10 mm	13 mm	16 mm
Дијаметар на цевка		50 - 75 mm	50 - 100 mm	32 - 75 mm
Тежина според ЕПТА-процедурата 01/2014 (Li-Ion 5,0 Ah)		18,85 kg	23,65 kg	20,45 kg
 Тежина		11,0 kg	15,8 kg	12,6 kg
 Тежина		7,1 kg		
Препорачана температура на околината за работа		-18°C ... +50°C		
Препорачани комплети акумулаторски батерии		M18B...		
Препорачани полначи		M12-18...		
Информации за бучавата				
Измерените вредности се одредени согласно стандардот EN 62841. А-оценетото ниво на бучава на апаратот типично изнесува:				
Ниво на звучен притисок. (Несигурност K=3dB(A))		72,4 dB (A)		
Ниво на јачина на звук. (Несигурност K=3dB(A))		83,4 dB (A)		
Носте штитник за уши.				

⚠ ПРЕДУПРЕДУВАЊЕ! Прочитајте ги сите безбедносни напомени, упатства, цртежи и податоци, коишто ги добивате заедно со уредот. Заборавање на почитувањето на безбедносните упатства и инструкции можат да предизвикаат електричен удар, пожар и/или тежки повреди. **Сочувајте ги сите безбедносни упатства и инструкции за во иднина.**

⚠ БЕЗБЕДНОСНИ НАПОМЕНИ ЗА ЧИСТЕЊЕ НА ЦЕВКАТА

Спиралата што се врти треба да се фати само со ракавиците кои се препорачани од страна на производителот. Ракавици од латекс, широки ракавици или крпи може да се намотаат околу спиралата и да предизвикаат тежки повреди.

Осигурајте се дека врвот на спиралата не се заквачува додека се спиралата се врти. Во спротивно спиралата може да биде преоптоварена и да се врти прекумерно, да се свитка или да се скрши, што може да доведе до тежки повреди.

Ако издувната цевка што треба да се исчисти содржи хемикалии, бактерии или други токсични супстанции на пр. предизвикувачи на инфекции, тогаш користете латекс или гумени ракавици и заштитни очила, штитник за лице, заштитна облека и респиратор, препорачани од производителот. Цевките може да содржат хемикалии, бактерии или други супстанции, кои може да бидат токсични или да предизвикаат инфекции, кои пак може да доведат до повреди со киселина или до други тежки повреди.

Придржувајте се до добрата хигиенска пракса. Додека ракувате со алатката, немојте да јадете или да пуштите. По ракувањето односно по чистењето на цевката, рацете или другите делови од телото кои дошле во контакт со содржината на цевката, треба секогаш да се измијат со топла вода и сапун. Ве молиме да избегнувате ризици по здравјето врз основа на контакт со токсични или материји што може да предизвикаат инфекции.

Чистачот на цевки е наменет само за цевки со дадена големина. Употребата на чистач на цевки со погрешна

величина може да доведе до извртување, виткање или кршење на спиралата или до повреди.

Пред употребата, проверете дали на спиралите постојат траги од абене или оштетување. Заменете ја изабената или оштетената спирала пред употреба на чистачот на цевки.

Спиралата да не се извртува ли прекумерно да се витка. Кршењето на спиралата може да предизвика тежки повреди.

Прегледајте ја цевката што треба да се чисти пред употребата на уредот. Утврдете ги, доколку е можно, пристапните точки, дијаметри и должини на цевките како и оддалеченоста на главните водови, видот на затнување и присуството за средства за чистење на цевки и други хемикалии. Доколку во издувната цевка се наоѓаат хемикалии, потребно е да се преземат потребни безбедносни мерки. Обратете се до производителот на хемикалијата, за да добиете соодветни информации.

Доколку е потребно, ве молиме да ја заштитите работната површина. Чистењето на издувните цевки може да биде нечиста работа.

Осигурајте се дека спиралите е целосно намотана. На тој начин ќе го спречите удирањето на спиралата што потсетува на бичување при вклучувањето на алатката.

Осигурајте се дека чистачот на цевки може да биде поставен на растојание од максимум 15 см од отворот на цевката. Во спротивно, пристапот од отворот на цевката мора да биде премостен со соодветно парче цевка со сличен дијаметар. Несодветниот довод на спиралата може да доведе до извртување, виткање или кршење на спиралата.

Поставете го чистачот на цевки на растојание од максимум 15 см од отворот на цевката. Во случај на поголемо растојание спиралата може тешко да се контролира и може да дојде до нејзино извртување, виткање или кршење.

Со спиралата и со копчето за вклучување/исклучување треба да ракува едно исто лице.

Со исклучок на ситуациите, наведени во упатството за употреба, спиралата не може да се врти на назад. Вртењето на назад може да доведе до оштетување на



спиралата и служи само за тоа, при зачувување на цевката повторно да се извади спиралата.

Немојте да ги отстранувате етикетите и плочките со упатства. Овие плочки содржат важни информации. Ако плочките повеќе не се читливи или недостигаат, обратете се до сервисната служба на MILWAUKEE, за да добиете замена на истите.

Останати безбедносни и работни упатства

Употребувајте заштитна опрема. При работа со машината постојано носете заштитни очила. Се препорачува заштитна облека како: маска за заштита од прашина, заштитни ракавици, цврсти чевли што не се лизгаат, кацига и заштита за уши.

Пршината која се создава при користење на овој алат може да биде штетна по здравјето. Не ја вдишувајте. Носете соодветна заштитна маска.

Не смеат да бидат обработувани материјали кои што можат да го заргозат здравјето (на пр. азбест).

Доколку употребуваното орудие се блокира, молиме веднаш да се исклучи апаратот! Не го вклучувајте апаратот повторно додека употребуваното орудие е блокирано; притоа би можело да дојде до повратен удар со висок момент на реакција. Испитајте и отстранете ја причината за блокирањето на употребеното орудие имајќи ги во предвид напомените за безбедност.

Извадете го батерискиот склоп пред отпочнување на каков и да е зафат врз машината.

Не ги оставајте искористените батерии во домашниот отпад и не горете ги. Дистрибутерите на Милвоки ги собираат старите батерии, со што ја штитат нашата околина.

Не ги чувајте батериите заедно со метални предмети (ризик од краток спој).

Киселината од оштетените батериите може да истече при екстреман напон или температури. Доколку дојдете во контакт со исатата, измијте се веднаш со сапун и вода. Во случај на контакт со очите плакнете ги убаво најмалку 10 минути и задолжително одете на лекар.

За да избегнете опасноста од пожар, од наранувања или од оштетување на производот, коишто ги создава краток спој, не ја потопувајте во течност алатката, заменливата батерија или полначот и пазете во уредите и во батериите да не проникнуваат течности. Корозивни или електропроводливи течности, како солена вода, одредени хемикалии, избелувачки препарати или производи кои содржат избелувачки супстанции, можат да предизвикаат краток спој.

Користете исклучиво Систем М18 за полнење на батерии од М18 систем. Не користете батерии од друг систем.

Не ги отворајте насилно батериите и полначите, и чувајте ги само на суво место. Чувајте ги постојано суви.

СПЕЦИФИЦИРАНИ УСЛОВИ НА УПОТРЕБА

Овој чистач на цевки е рачен уред за чистење на секундарни издувни цевки на пример во кујни, бањи или други простории во домаќинството.

БАТЕРИИ

Батриите кои не биле користени подолго време треба да се наполнат пред употреба.

Температура повисока од 50°C (122°F) го намалуваат траењето на батериите. Избегавајте подолго изложување на батериите на високи температури или сонце (ризик од прегревање).

Клемите на полначот и батериите мора да бидат чисти.

За оптимален работен век батериите мора да се наполнат целосно по употреба.

За можно подолг век на траење, апаратите после нивното полнење треба да бидат извадени од апаратот за полнење на батериите.

Во случај на складирање на батеријата подолго од 30 дена: Акумулаторот да се чува на температура од приближно 27°C и на суво место. Акумулаторот да се складира на приближно 30%-50% од состојбата на наполненост. Акумулаторот повторно да се наполни на секои 6 месеци.

ТРАНСПОРТ НА ЛИТИУМ-ЈОНСКИ БАТЕРИИ

Литиум-јонските батерии подлежат на законските одредби за транспорт на опасни материи.

Транспортот на овие батерии мора да се врши согласно локалните, националните и меѓународните прописи и одредби.

Потрошувачите на овие батерии може да вршат непречен патен транспорт на истите.

Комерцијалниот транспорт на литиум-јонски батерии од страна на шпедитерски претпријатија подлежат на одредбите за транспорт на опасни материи. Подготовките за шпедиција и транспорт треба да ги вршат исклучиво соодветно обучени лица. Целокупниот процес треба да биде стручно надгледуван.

При транспортот на батерии треба да се внимава на следното: Осигурајте се дека контактите се заштитени и изолирани, а сето тоа со цел да се избегнат кратки споеви. Внимавајте да не дојде до измествување на батериите во нивната амбалажа. Забранет е транспорт на оштетените или протечени литиум-јонски батерии. За полнатомашни инструкции обратете се до Вашето шпедитерско претпријатие.

ЗАШТИТА ОД ПРЕОПТЕРЕТУВАЊЕ НА БАТЕРИЈАТА

При преоптеретување на батеријата како резултат на мошне висока потрошувачка на струја, на пример екстремно високи вртежни моменти, ненадејно стопирање или краток спој, електро-алатот вибрира 5 секунди, приказот за полнење трепка и електро-алатот самостојно се исклучува.

За повторно вклучување ослободете го притискачот на прекинувачот, а потоа повторно вклучете.

Во случај на екстремни оптоварувања батеријата се загрева премногу. Во таков случај трепкаат сите ламбички од приказот за полнење сè додека батеријата не се излади. По гаснење на приказот за полнење може да се продолжи со работа.

Тогаш ставете ја батеријата во уредот за полнење за повторно да ја напоните и активирате.

ДОПОЛНИТЕЛНИ СОВЕТИ ЗА УПОТРЕБА

Обрнете внимание на илустрациите за нормална употреба.

Вовлечете ја спиралата во цевката со лесно придвижување напред-назад, се додека не се отстрани затнувањето.

УПАТСТВО: Кога алатката ќе се блокира, веднаш да се пушти прекинувачот

Ослободување на блокиран чистач на цевки:

Алатката се привржува во правец на назад и се повлекува неколку сантиметри, за да се ослободи спиралата.

Да се исклучи алатката и да се почека да престане со работа.

Потоа, да се вклучи до правец на напред.

ВНИМАНИЕ! Непрекнатото работење на алатката може да доведе до оштетување на спиралата и на приборот.

МОНТИРАЊЕ НА СПИРАЛАТА

Монтирање на спиралата:

За монтирање на спиралата обрнете внимание на илустрациите.



ОПОМЕНА! Спиралата е под притисок и при монтажа може да излета неочекувано, што може да доведе до повреди. Носете заштитни очила или очила со странична заштита, со цел опасноста од повреди да биде на најниско можно ниво.

Секогаш носете кожни ракавици.

Намотајте ја новата спирала во правец на стрелката (види барабан) во внатрешниот барабан. Намотајте ја спиралата во целост во внатрешниот барабан.

Прочитајте го упатството за употреба. Користете соодветна заштитна опрема.

При употребата на чистачот на цевки може да дојдете во контакт со хемикалии, бактерии или други нагривувачки, токсични или заразни супстанции.

По употребата рацете да се измијат со топла вода и сапун. Користете го садот што се вметнува, за да спречите оштетување на спиралата.

ОДРЖУВАЊЕ

Извадете го батерискиот склоп пред отпочнување на каков и да е зафат врз машината.

Спиралата да се избрише со крпа и повторно да вметне во барабанот.

Пред да се складира чистачот на цевки, спиралата целосно да се извади. Спиралата да се исчисти и пополека да се намота.

Користете само Milwaukee додаточи и резервни делови. Доколку некои од компонентите кои не се опишани треба да бидат заменети, Ве молиме контактирајте ги сервисните агенти на Milwaukee (консултирајте ја листата на адреси).

Доколку е потребно можно е да биде набавен детален приказ на алатот. Ве молиме наведете го бројот на артиклот како и типот на машина кој е отпечатан на етикетата и порачајте ја скицата кај локалниот застапник или директно кај: Techtronic Industries GmbH, Max-Eyth-Straße 10, 71364 Winnenden, Germany.

ЕУ-ДЕКЛАРАЦИЈА ЗА СООБРАЗНОСТ

Под целосна лична одговорност изјавуваме дека производот опишан во „Технички податоци“ е во сообразност со сите релевантни прописи од директивите:

2011/65/EU (RoHS), 2006/42/EC, 2014/30/EU

и дека се применети следните хармонизирани стандарди

EN 62841-1:2015

EN 62841-3-14:2017

EN 55014-1:2017+A11:2020

EN 55014-2:2015

EN IEC 63000:2018



Winnenden. 2020-11-16

Alexander Krug / Managing Director

Ополномоштен за составување на техничката документација.

Techtronic Industries GmbH

Max-Eyth-Straße 10, 71364 Winnenden, Germany

СИМБОЛИ



ВНИМАНИЕ! ПРЕДУПРЕДУВАЊЕ! ОПАСНОСТ!



Ве молиме пред да ја стартувате машината обрнете внимание на упатствата за употреба.



Секогаш при користење на машината носете ракавици.



Секогаш да се носат заштитни ракавици – првенствено од кожа!



Опасност од повреда!
Никогаш не носете го барабанот како ранац!



Опасност од повреда!
Пред почетокот барабанот мора да биде затворен!



Извадете го батерискиот склоп пред отпочнување на каков и да е зафат врз машината.



Дополнителна опрема - Не е вклучена во стандардната, а достапна е како додаток.



Електричните апарати и батериите што се полнат не смеат да се фрлат заедно со домашниот отпад. Електричните апарати и батериите треба да се собираат одделно и да се однесат во соодветниот погон заради нивно фрлање во склад со начелата за заштита на околината. Информирајте се кај Вашите местни служби или кај специјализираниот трговски претставник, каде има такви погони за рециклажа и собирни станици.

n₀

Брзина без оптоварување

V

Напон



Истосмерна струја



Европска ознака за сообразност



Британска ознака за сообразност





Украинска ознака за сообразност



Евроазиска ознака за сообразност



Технічні характеристики		M18 FFSDC		
Пристрій для чищення труб				
Номер виробу	4609 36 02... ... 000001-999999			
Напруга знімної акумуляторної батареї	18 V			
Кількість обертів холостого ходу	0 - 250 min ⁻¹			
Довжина спіралі	15 m			
Розмір спіралі	10 mm	13 mm	16 mm	
Діаметр труби	50 - 75 mm	50 - 100 mm	32 - 75 mm	
Вага згідно з процедурою EPTA 01/2014 (Li-Ion 5,0 Ah)	18,85 kg	23,65 kg	20,45 kg	
 Вага	11,0 kg	15,8 kg	12,6 kg	
 Вага	7,1 kg			
Температура навколишнього середовища, рекомендована для експлуатації	-18°C ... +50°C			
Рекомендовані акумулятори	M18B...			
Рекомендовані зарядні пристрої	M12-18...			
Інформація про шум				
Вимірні значення визначені згідно з EN 62841. Рівень шуму „А“ приладу становить в типовому випадку:				
Рівень звукового тиску (похибка K = 3 дБ(A))				
72,4 dB (A)				
Рівень звукової потужності (похибка K = 3 дБ(A))				
83,4 dB (A)				
Використовувати засоби захисту органів слуху!				



⚠ ПОПЕРЕДЖЕННЯ! Ознайомтеся з усіма вказівками щодо техніки безпеки, інструкціями, ілюстраціями та відомостями, що було надано разом із приладом. Упущення при дотриманні вказівок з техніки безпеки та інструкцій можуть призвести до ураження електричним струмом, пожежі та/або тяжких травм. **Зберігайте всі вказівки з техніки безпеки та інструкції на майбутнє.**

⚠ ВКАЗІВКИ З ТЕХНІКИ БЕЗПЕКИ ПІД ЧАС ЧИЩЕННЯ ТРУБ

Тримати спіраль, що обертається, дозволяється тільки в рукавичках, рекомендованих виробником. Латексні або вільно сидячі рукавички, а також серветки можуть намотатися на спіраль і привести до важких травм.

Переконайтеся, що вістря спіралі не зачіпляється при обертанні спіралі. Це загрожує перевантаженням спіралі, її надмірним скручуванням, перегиним або зломом та як наслідок - важкими травмами.

Якщо у випускній трубі, що підлягає очищенню, передбачається наявність хімікатів, бактерій або токсичних субстанцій, наприклад збудників інфекцій, під рекомендовані виробником захисні рукавички надіньте латексні або гумові рукавички, а також захисні окуляри, захисний щіток для обличчя, захисний одяг та респіратор. Трубопроводи можуть містити хімікати, бактерії та інші субстанції, які можуть бути токсичними або заразними і викликати роздратування або важкі ушкодження.

Виконуйте правила гігієни. Не слід палити та приймати їжу під час користування пристроєм. Після використання пристрою для чищення труб необхідно ретельно вмити руки та інші частини тіла, що мали контакт з вмістом труб, теплою водою з милом. Це дозволить уникнути ризиків для здоров'я в результаті контакту з токсичними речовинами і збудниками інфекцій.

Пристрій для чищення труб призначений тільки для труб вказаного розміру. Використання пристрою для чищення труб не відповідного розміру може привести до скручування, перегину або зламу спіралі та до важких травм.

Перед застосуванням перевірте спіраль на наявність слідів зносу й пошкоджень. Замініть зношену або пошкоджену спіраль, перш ніж користатися пристроєм для чищення труб.

Не допускайте скручування, перегину та надмірного згинання спіралі. Злам спіралі може привести до важких травм.

Перед використанням пристрою перевірте трубу, що підлягає очищенню. Визначте точку(и) доступу, діаметр і довжину трубопроводу наскільки це можливо, а також відстань до основних трубопроводів, вид засмічення і наявність засобів для очищення труб і інших хімікатів. Якщо у випускній трубі містяться хімікати, слід вжити відповідні заходи безпеки. Зверніться до виробника хімікатів для отримання необхідної інформації.

Накрийте робочу зону при необхідності. Очищення випускних труб - зазвичай дуже брудна робота.

Переконайтеся, що спіраль повністю намотана. Це дозволить уникнути хлесткоподібного удару при включенні.

Переконайтеся, що пристрій для чищення труб розташований на відстані не більше 15 см від отвору труби. Інакше доступ до отвору труби має бути перекритий відповідним елементом труби такого ж діаметру. Підведення спіралі неналежним чином може привести до її скручування, перегину або зламу.

Розташуйте пристрій для чищення труб на відстані не більше 15 см від отвору труби. При більшій відстані не можна забезпечити належний контроль над спіраллю, що може привести до її скручування, перегину або зламу.

Спіраль і вимикач мають бути в управлінні однієї людини.

За винятком ситуацій, приведених в цій інструкції, спіраль не слід обертати у зворотному напрямі.

Зворотне обертання може привести до ушкодження спіралі і використовується тільки для того, щоб виїняти спіраль у разі засмічення труби.

Не видаляйте етикетки та фірмові щітки. Вони містять важливу інформацію. Якщо текст на вказівних табличках стає

нечитабельним або відсутній, зверніться до служби підтримки MILWAUKEE для безкоштовної заміни табличок.

Додаткові інструкції з техніки безпеки та експлуатації

Використовуйте індивідуальні засоби захисту. Під час роботи з машиною завжди носіть захисні окуляри. Радимо використовувати захисний одяг, як наприклад маску для захисту від пилу, захисні рукавиці, мічне та нековзне взуття, каску та засоби захисту органів слуху.

Пил, що утворюється під час роботи, часто буває шкідливим для здоров'я; він не повинен потрапляти в організм. Носіть відповідну маску для захисту від пилу.

Не можна обробляти матеріали, небезпечні для здоров'я (наприклад, азбест).

При блокуванні вставного інструменту негайно вимкнути прилад! Не вмикайте прилад, якщо вставний інструмент заблокований; при цьому може виникати віддача з високим зворотним моментом. Визначити та усунути причину блокування вставного інструменту з урахуванням вказівок з техніки безпеки.

Перед будь-якими роботами на приладі вийняти змінну акумуляторну батарею.

Відпрацьовані знімні акумуляторні батареї не можна кидати у вогонь або викидати з побутовими відходами. Milwaukee пропонує утилізацію старих знімних акумуляторних батарей, безпечно для довкілля; зверніться до свого дилера.

Не зберігати знімні акумуляторні батареї разом з металевими предметами (небезпека короткого замикання).

При екстремальному навантаженні або при екстремальній температурі з пошкодженої змінної акумуляторної батареї може витікати електроліт. При потрапленні електроліту на шкіру його негайно необхідно змити водою з милом. При потрапленні в очі їх необхідно негайно ретельно промити, щонайменше 10 хвилин, та негайно звернутися до лікаря.

Для запобігання небезпеці пожежі в результаті короткого замикання, травм і пошкодження виробів не занурюйте інструмент, змінний акумулятор або зарядний пристрій у рідину і не допускайте потраплення рідини всередину пристроїв або акумуляторів. Корозійні і струмопровідні рідини, такі як солоний розчин, певні хімікати, вибілювальні засоби або продукти, що їх містять, можуть призвести до короткого замикання.

Знімні акумуляторні батареї системи M18 заряджати лише зарядними пристроями системи M18. Не заряджати акумуляторні батареї інших систем.

Не відкривати знімні акумуляторні батареї і зарядні пристрої та зберігати їх лише в сухих приміщеннях. Берегти від вологи.

ВИКОРИСТАННЯ ЗА ПРИЗНАЧЕННЯМ

Цей пристрій для чищення труб є ручним приладом для чищення вторинних випускних труб в кухнях, ванних кімнатах і господарських приміщеннях.

АКУМУЛЯТОРНІ БАТАРЕЇ

Знімну акумуляторну батарею, що не використовувалася тривалий час, перед використанням необхідно підзарядити.

Температура понад 50 °C зменшує потужність змінної акумуляторної батареї. Уникати тривалого нагрівання сонячними променями або системою обігріву.

З'єднувальні контакти зарядного пристрою та змінної акумуляторної батареї повинні бути чистими.

Для забезпечення оптимального строку експлуатації акумуляторної батареї після використання необхідно повністю зарядити.

Для забезпечення максимального можливого терміну експлуатації акумуляторної батареї після зарядки необхідно виймати з зарядного пристрою.

При зберіганні акумуляторної батареї понад 30 днів: Зберігати акумуляторну батарею при температурі приблизно 27 °C в сухому місці. Зберігати акумуляторну батарею в стані зарядки приблизно 30-50 %. Кожні 6 місяців знову заряджати акумуляторну батарею.

ТРАНСПОРТУВАННЯ ЛІТІЙ-ІОННИХ АКУМУЛЯТОРНИХ БАТАРЕЙ

Літій-іонні акумуляторні батареї підпадають під законоположення про перевезення небезпечних вантажів.

Транспортування таких акумуляторних батарей повинно відбуватися із дотриманням місцевих, національних та міжнародних притримів та положень.

споживачі можуть без проблем транспортувати ці акумуляторні батареї по вулиці.

Комерційне транспортування літій-іонних акумуляторних батарей експедиторськими компаніями підпадає під положення про транспортування небезпечних вантажів.

Підготовку до відправлення та транспортування можуть здійснювати виключно особи, які пройшли відповідне навчання. Весь процес повинні контролювати кваліфіковані фахівці.

При транспортуванні акумуляторних батарей необхідно дотримуватись зазначених далі пунктів:

Переконайтеся в тому, що контакти захищені та ізольовані, щоб запобігти короткому замиканню. Слідкуйте за тим, щоб акумуляторна батарея не переміщувалася всередині упаковок. Пошкоджені акумуляторні батареї, або акумуляторні батареї, що потекли, не можна транспортувати. Для отримання подальших вказівок звертайтеся до своєї експедиторської компанії.

ЗАХИСТ АКУМУЛЯТОРНОЇ БАТАРЕЇ ВІД ПЕРЕВАНТАЖЕННЯ

У випадку перевантаження акумуляторної батареї внаслідок дуже високого споживання струму, наприклад, надмірно високого крутильного моменту, раптової зупинки або короткого замикання, електроінструмент вібере 5 секунд, індикатор заряду блимає, електроінструмент самостійно вимикається.

Для повторного увімкнення відпустити кнопку вимикача і знов увімкнути.

При надмірних навантаженнях акумуляторна батарея сильно перегрівється. В цьому випадку всі лампочки індикатора заряду блимають, доки акумуляторна батарея не охолоне. Можна продовжити роботу після того, як індикатор заряду згасне.

Вставити акумуляторну батарею в зарядний пристрій, щоб знову зарядити та активувати її.

ДОДАТКОВІ ПОРАДИ ЩОДО ЕКСПЛУАТАЦІЇ

Під час експлуатації користуйтеся малюнками.

Вводьте спіраль в трубу поступово, рухаючи вперед-назад, поки засмічення не буде ліквідоване.

ВКАЗІВКА: при блокуванні інструменту негайно відпустіть вимикач.



Для розблокування пристрою:

Потягніть інструмент на декілька сантиметрів із зворотним обертанням спіралі, щоб звільнити її.

Вимкніть інструмент і дочекайтеся його зупинки. Увімкніть інструмент і продовжуйте працювати в режимі прямого обертання.

ОБЕРЕЖНО! Постійна експлуатація інструменту в режимі зворотного обертання може привести до пошкодження спіралі і приладдя.

МОНТАЖ СПІРАЛІ

Монтаж спіралі:

Користуйтеся малюнками під час монтажу спіралі.

ПОПЕРЕДЖЕННЯ! Спіраль знаходиться під натягом і під час монтажу може несподівано вискочити, що небезпечно травмами. Надягайте захисні окуляри або окуляри з бічним захистом, щоб мінімізувати небезпеку травм.

Завжди носіть шкіряні рукавички.

Намотайте нову спіраль на внутрішній барабан у напрямі стрілки (див. барабан). Намотайте спіраль на барабан повністю.

Прочитайте інструкцію з експлуатації. Використовуйте належні засоби захисту.

При використанні пристрою для чищення труб на вас можуть потрапити хімікати, бактерії або інші рідкі, токсичні або інфекційні речовини.

Після використання вимити руки теплою водою з милом.

Завжди використовуйте насадку контейнера, щоб уникнути пошкодження спіралі.

ОБСЛУГОВУВАННЯ

Перед будь-якими роботами на приладі виїняти змінну акумуляторну батарею.

Виїняту спіраль протерти ганчіркою та знову вставити в барабан.

Перед зберіганням пристрою для чищення труб повністю витягнути спіраль. Почистити спіраль та згорнути її нещільно. Використовувати тільки комплектуючі та запчастини Milwaukee. Деталі, заміна яких не описується, замінювати тільки в відділі обслуговування клієнтів Milwaukee (зверніть увагу на брошуру „Гарантія / адреси сервісних центрів“).

У разі необхідності можна запросити креслення з зображенням вузлів машини в перспективному вигляді, для чого потрібно звернутися в ваш відділ обслуговування клієнтів або безпосередньо в Techtronic Industries GmbH, Max-Eyth-Straße 10, 71364 Winnenden, Німеччина, та вказати тип машини та шестизначний номер на фірмовій табличці з даними машини.

СЕРТИФІКАТ ВІДПОВІДНОСТІ ВИМОГАМ ЄС

Ми заявляємо на власну відповідальність, що виріб, описаний в „Технічних даних“, відповідає всім застосовним положенням директиви:

2011/65/EU (RoHS), 2006/42/EC, 2014/30/EU

та наступним гармонізованим нормативним документам:

EN 62841-1:2015

EN 62841-3-14:2017

EN 55014-1:2017+A11:2020

EN 55014-2:2015

EN IEC 63000:2018



Winnenden. 2020-11-16

Alexander Krug / Managing Director
Уповноважений із складання технічної документації.
Techtronic Industries GmbH
Max-Eyth-Straße 10, 71364 Winnenden, Germany

СИМВОЛИ



УВАГА! ПОПЕРЕДЖЕННЯ! НЕБЕЗПЕЧНО!



Уважно прочитайте інструкцію з експлуатації перед введенням приладу в дію.



Під час роботи з машиною завжди носити захисні окуляри.



Завжди носіть захисні рукавички, найкраще шкіряні!



Небезпека травмування!
Не переносити барабан на спині, як рюкзак!



Небезпека травмування!
Перед запуском переконайтеся, що барабан закритий!



Перед будь-якими роботами на приладі виїняти змінну акумуляторну батарею.



Комплектуючі - не входять в обсяг постачання, рекомендовані доповнення з програми комплектуючих.



Електроприлади, батареї/акумулятори заборонено утилізувати разом з побутовим сміттям. Електричні прилади і акумулятори слід збирати окремо і здавати в спеціалізовану компанію для утилізації відповідно до норм охорони довкілля. Зверніться до місцевих органів або до вашого дилера, щоб отримати адреси пунктів вторинної переробки та пунктів прийому.

n₀

Кількість обертів холостого ходу

V

Напруга



Постійний струм



Європейський знак відповідності



Британський знак відповідності



Український знак відповідності



001



Євроазіатський знак відповідності

Українська

استخدم دائماً الوعاء الداخلي للخران، لتجنب حدوث ضرر بالحلزون.

الصيانة

انزع البطارية قبل التعامل مع الجهاز.
قم بتمسح الحلزون الموضوع بشكل غير محكم بخرفقة ثم أدخله في الأسطوانة مرة أخرى.

استخدم فقط ملحقات ميلوكي وكذلك قطع غيار ميلوكي. إذا كانت المكونات التي يجب تغييرها غير مذكورة، يرجى الاتصال بأحد عملاء صيانة ميلوكي (انظر قائمة عناوين الضمان/الصيانة الخاصة بنا).

عند الحاجة يمكن طلب رمز انفجار الجهاز بعد ذكر طراز الآلة والرقم السداسي المذكور على بطاقة طاقة الآلة لدى جهة خدمة العملاء أو مباشرة لدى شركة

Techtronic Industries GmbH
Max-Eyth-Straße 10
71364 Winnenden
ألمانيا

إعلان المطابقة - الاتحاد الأوروبي

نعلن تحت مسؤوليتنا وحدنا أن المنتج المعين تحت اسم "البطاريات الفنية" يستوفي جميع الأحكام ذات الصلة ضمن التوجيهات:

2011/65/EU (RoHS), 2006/42/EG, 2014/30/EU
والمعايير المتسقة التالية
EN 62841-1:2015
EN 62841-3-14:2017
EN 55014-1:2017+A11:2020
EN 55014-2:2015
EN IEC 63000:2018

2020-11-16, Winnenden



Alexander Krug

Alexander Krug / Managing Director
معتتمدة للمطابقة مع الملف الفني
Techtronic Industries GmbH
Max-Eyth-Straße 10, 71364 Winnenden,
Germany

زوم لا

تنبيه! تحذيراً خطراً!



يرجى قراءة التعليمات بعناية قبل بدء تشغيل الجهاز.



ارتدي دائماً نظارات الوقاية عند استخدام الجهاز.



قم بنزع الحلزون تماماً قبل حفظ جهاز تنظيف الموسير. نظف الحلزون وقم بلفه بشكل غير محكم



خطر الإصابة بجروح!
يحظر تماماً حمل الأسطوانة مثل حقيبة الظهر!



خطر الإصابة بجروح!
قبل بدأ التشغيل يجب أن تكون الأسطوانة مغلقة!



انزع البطارية قبل التعامل مع الجهاز.



الملحق - ليس مدرجاً كمعدة قياسية، متوفر كملحق.



يحظر التخلص من الأجهزة الكهربائية والبطاريات/البطاريات القابلة للشحن في القمامة المنزلية. يجب جمع الأجهزة الكهربائية والبطاريات القابلة للشحن منفصلة وتسليمها للتخلص منها بشكل لا يضر بالبيئة لدى شركة إعادة استغلال. الرجاء الاستفسار لدى الهيئات المحلية أو لدى التجار المتخصصين عن مواقع إعادة الاستغلال ومواقع الجمع.



أقصى سرعة دون وجود حمل

n_0

الجهد الكهربائي

V

التيار المستمر



علامة التوافق الأوروبية



علامة التوافق البريطانية



علامة التوافق الأوكرانية



علامة التوافق الأوروبية الآسيوية



ويجب نقل هذه البطاريات وفقاً للأحكام والقوانين المحلية والوطنية والدولية.

يمكن للمستخدم نقل البطاريات براً دون الخضوع لشروط أخرى.

يخضع النقل التجاري لبطاريات الليثيوم أيون عن طريق الغير إلى قوانين نقل السلع الخطرة. يتعين أن يقوم أفراد مدربون جيداً بالإعداد لعملية النقل والقيام بها بصحبة خبراء مثلهم.

متى تُنقل البطاريات:

عند التأكد من حماية أطراف توصيل البطارية وعزلها تجنياً لحدوث قصر بالدائرة عند التأكد من حماية حزمة البطارية من الحركة داخل صندوق التعبئة. يُرجى عدم نقل البطاريات التي بها تشققات أو تسربات. يُرجى البحث مع شركة الشحن عن نصيحة أخرى

حماية البطارية

في حالات العزم العالي، أو إعاقة الحركة أو التوقف المفاجئ أو القصور في الدائرة الكهربائية الذي ينتج عنه سحب لقدرة كبير من التيار الكهربائي، تنصدر الآداة ذبذبات لمدة 5 ثوانٍ، وسيضيء مقياس الوقود ثم تتوقف عن العمل. لإعادة ضبط، حرر الزناد.

في الظروف القصوى للعمل، قد ترتفع درجة الحرارة الداخلية للبطارية ارتفاعاً شديداً. إذا حدث ذلك، سيضيء مقياس الوقود حتى تنخفض درجة حرارة البطارية. بعد انطفاء الأضواء، يمكنك متابعة العمل.

ضع البطارية على الشاحن للشحن ثم أعد ضبطها.

نصائح إضافية للاستخدام

الرجاء مراعاة الصور للاستعمال العادي.

أدخل الحلزون في الماسورة من خلال حركة خفيفة للأمام وللخلف حتى يتم إزالة الإسداد.

إرشاد: إذا حدثت عرقلة في الآداة، أترك الزر على الفور.

إزالة عرقلة منظم المواسير:

اسحب الآداة في وضع الدوران العكسي بعض السنتيمترات إلى الخلف، لكي تحرر الحلزون.

قم بإيقاف الآداة وانتظر حتى تتوقف تماماً. ثم قم بتشغيل الآداة مرة أخرى في اتجاه الدوران إلى الأمام.

تحذيراً! تشغيل المستمر للآداة في الدوران إلى الخلف يمكن أن يؤدي إلى الإضرار بالحلزون والمستلزمات.

تركيب الحلزون

تركيب الحلزون:

يتعين مراعاة الصور الخاصة بتركيب الحلزون.

تحذيراً! الحلزون يوجد تحت ضغط وقد يدور فجأة بشكل سريع عند التركيب، الأمر الذي يمكن أن يؤدي إلى الإصابة. قم بإرتداء نظارة واقية أو نظارة مزودة بواقى جانبي، لكي تحدد بقدر الإمكان من مخاطر الإصابة.

ارتدي دائماً قفازات من الجلد.

قم بلف حلزون جديد في اتجاه السهم (انظر الأسطوانة) في داخل الأسطوانة الداخلية. قمل بلف الحلزون كاملاً في الأسطوانة الداخلية.

إقرء دليل الاستخدام. استخدم أدوات وقائية مناسبة.

في حالة استخدام منظم المواسير قد تلامس الكيماويات أو البكتيريا أو أي مركبات كاوية أو سامة أو معدية.

بعد الاستخدام قم بتنظيف الأيدي بالماء الدافئ والصابون.

قد تكون الأثرية الناتجة عن استخدام هذه الآلة ضارة بالصحة. لا تستنشق لا هذه الأثرية. ارتد قناعاً واقياً من الأثرية مناسباً.

لا يجوز استخدام مواد ينجم عنها أضرار على الصحة (حزير صخري).

الرجاء إيقاف تشغيل الجهاز على الفور في حالة عرقلة أداة الاستعمال! لا تقم بتشغيل الجهاز مرة أخرى، طالما أن الآداة المستعملة لازالت في حالة عرقلة؛ حيث يمكن أن يحدث هنا ارتداد عكسي مصحوب بقوة رد فعل عالية. قم بالبحث وإزالة أسباب عرقلة أداة الاستعمال مع مراعاة تعليمات الأمان.

انزع البطارية قبل التعامل مع الجهاز.

لا تتخلص من البطاريات المستعملة مع النفايات المنزلية أو بحرقها. يقدم مزوع ميلوكي خدمة استعادة البطاريات القديمة لحماية البيئة.

لا تقم بتخزين البطارية مع الأشياء المعدنية (خطر قصر الدائرة)...

قد يتسرب حامض البطارية من البطاريات التالفة في ظروف الحمل الزائد بدرجة كبيرة أو في درجات الحرارة الشديدة. في حالة ملامسة حامض البطارية اغسل بديك فوراً بالماء والصابون. في حالة ملامسة السائل للعينين اشطفهما جيداً لمدة 10 دقائق على الأقل واطلب العناية الطبية فوراً.

تحذيراً! لتجنب أخطار الحريق أو الإصابة أو الإضرار بالمنتج التي تنجم عن المماس الكهربائي، لا تغمر الآداة أو البطارية القابلة للاستبدال أو جهاز الشحن في السوائل واحرص على أن لا تصل السوائل إلى داخل الجهاز والبطارية. السوائل المؤدية للتآكل أو الموصلة للتيار الكهربائي، مثل الماء المالح ومركبات كيميائية معينة ومواد التبييض أو المنظفات التي تشتمل على مواد تبييض، يمكن أن تؤدي إلى حدوث ماس كهربائي.

استخدم فقط شواحن System M18 لشحن بطاريات System M18. لا تستخدم بطاريات من أنظمة أخرى. لا تقم أبداً بفتح قفل البطارية والشواحن ولا تخزنهم إلا في غرف جافة. وحافظ عليها جاف طوال الوقت.

شروط الاستخدام المحدثة

منظف المواسير هذا هو جهاز يدوي لتنظيف مواسير الصرف الفرعية، على سبيل المثال في المطبخ والحمامات وغرف الاقتصاد المنزلي.

البطاريات

يجب إعادة شحن البطارية غير المستخدمة لفترة قبل الاستخدام.

تقلل درجات الحرارة التي تتجاوز 50° سيلزيوس (122° فهرنهايت) من أداء البطارية. تجنب التعرض الزائد للحرارة أو أشعة الشمس (خطر التسخين)...

يجب الحفاظ على محتويات الشواحن و البطاريات نظيفة. للحصول على فترة استخدام مثالية، يجب شحن البطاريات تماماً، بعد الاستخدام.

للحصول على أطول عمر ممكن للبطارية، انزع البطارية من الشاحن بمجرد شحنها تماماً.

لتخزين البطارية أكثر من 30 يوم: خزن البطارية بحيث تكون درجة الحرارة أقل من 27° سيلزيوس وبعيداً عن أي رطوبة خزن البطارية مشحونة بنسبة تتراوح بين 50% - 30 اشحن البطارية كالمعتاد، وذلك كل ستة أشهر من التخزين.

نقل بطاريات الليثيوم

تخضع بطاريات الليثيوم أيون لشروط قوانين نقل السلع الخطرة.

M18 FFSDC			البيانات الفنية لمنظف المواسير
4609 36 02... ... 000001-999999			إنتاج عدد
18 V			فولطية البطارية
0 - 250 min ⁻¹			أقصى سرعة دون وجود حمل
15 m			طول الحلزون
16 mm	13 mm	10 mm	حجم
32 - 75 mm	50 - 100 mm	50 - 75 mm	قطر الماسورة
20,45 kg	23,65 kg	18,85 kg	الوزن وفقاً لنهج EPTA رقم 01/2014 (Li-Ion 5,0 Ah)
12,6 kg	15,8 kg	11,0 kg	الوزن 
7,1 kg			الوزن 
-18°C ... +50°C			درجة حرارة البيئة المحيطة الممنوح بها من أجل التشغيل
M18B...			البيانات الممنوح بها
M12-18...			جهاز الشحن الممنوح به
معلومات الموضوع			
القيم التي تم قياسها محددة وفقاً للمعايير الأوروبية EN 62841 مستويات ضوضاء الجهاز، ترجيحاً بشكل نموذجي كالتالي:			
72,4 dB (A)	مستوى ضغط الصوت (الارتباب في القياس = 3 ديسيبل ((
83,4 dB (A)	مستوى شدة الصوت (الارتباب في القياس = 3 ديسيبل ((
ارتد وافيقات الأذن!			



قم بمعاينة الماسورة التي يجب تنظيفها قبل استخدامها
 الجهاز. قم بتحديد نقاط الدخول بقدر الإمكان، والقطر وطول الماسورة وكذلك البعد عن الماسورة الرئيسية، ونوع الإنسداد ووسائل تنظيف المواسير المتوافرة أو الكيماويات الأخرى. إذا كان هناك كيماويات في مواسير الصرف، يجب اتخاذ الإجراءات الأمنية اللازمة. توجه إلى الشركة المنتجة للكيماويات للحصول على المعلومات اللازمة.

قم بتغطية موضع العمل إذا استدعى الأمر. قد يكون تنظيف مواسير الصرف أمراً يحيط به تلوثات.

تأكد من أن الحلزون، ملفوف تماماً. بهذا تتجنب الضربات المشابهة للضربات السياط الناجمة عن الحلزون عند التشغيل.

تأكد من أنه يمكن وضع منظف المواسير على أقصى قدر على بعد 15 سم من فتحة الماسورة. عدا ذلك يجب تعدي مدخل فتحة الماسورة بقطعة مواسير مشابهة من حيث القطر. إدخال الحلزون بشكل غير مطابق للتعليمات يمكن أن يؤدي إلى التواء أو إنحناء أو إنكسار الحلزون.

ضع منظف المواسير على بعد 15 سم على أقصى تقدير من فتحة الماسورة. في حالة البعد الأكبر لا يمكن التحكم في الحلزون بشكل جيد وقد يحدث به التواء أو إنحناء أو أنكسار.

الحلزون ووزر التشغيل والإيقاف يجب استعمالهم من شخص واحد فقط.

باستثناء المواقف المذكورة في دليل الاستخدام هذا يحظر إذارة الحلزون للخلف. تدوير الحلزون للخلف يمكن أن يؤدي إلى الإضرار بالحلزون والهدف منه فقط هو استخراج الحلزون مرة أخرى في حالة إنسداد الماسورة.

يحظر نزع لافتة الطراز والبطاقة الملتصقة. هذه البطاقات تتضمن معلومات هامة. إذا أصبحت هذه البطاقات غير مقروءة لا تزعجها، بل توجه إلى خدمة العملاء بشركة MILWAUKEE للحصول على بديل مجاني.

تحذيراً! اقرأ جميع تعليمات السلامة والإرشادات والشروح والبيانات المرفقة مع الجهاز. قد يؤدي الفشل في مراعاة التحذيرات والتعليمات إلى التعرض للإصابة بصدمة كهربائية أو الحريق و/أو إصابة خطيرة. **احتفظ بجميع التعليمات والتعليمات للرجوع إليها مستقبلاً.**

تعليمات الأمان الخاصة بمنظف المواسير
امسك الحلزون الدائر بالقفازات الممنوح به من الشركة المنتجة فقط. الق في إصابات حادة. فازات الالتهكس أو القفازات الغير ملائمة أو الفوط يمكن أن تلتفت حول الحلزون وتتسبب

تأكد من أن ذروة الحلزون غير متشابكة طالما أن الحلزون يؤدي إلى إصابات حادة. يدور. عدا ذلك قد يتم تحميل الحلزون بجهد أعلى من المقرر ويدور بشكل أسرع من المقرر أو يتحني أو يدور، الأمر الذي يمكن أن

إذا كان من المحتمل أن ماسورة الصرف التي يجب تنظيفها تحتوي على مواد كيميائية أو بكتيريا أو أي مركبات سمية أخرى أو جراثيم مسببة للعدوى، فبتعين عليك استخدام قفازات الوقاية الممنوح بها من الشركة المنتجة من اللاتكس أو الكوتشوك وكذلك نظارة واقية وواقي لللوده وملابس واقية وقناع وواقي للتنفس. ق إصابات أخرى حادة. تحتوي خطوط المواسير على كيماويات أو بكتيريا أو مركبات أخرى تكون سمية أو مسببة للعدوى وقد تؤدي إلى حروق كيميائية أو

الرجاء مراعاة تعليمات النظافة. يحظر تناول الطعام والتدخين أثناء استخدام الجهاز. بعد التعامل مع أجهزة تنظيف المواسير أو استخدامها يجب غسل اليدين وأي أعضاء أخرى في الجسم حدث لها تلامس مع محتوي المواسير بالماء أو المسببة للعدوى. لساخن والصابون. بهذا تتجنب المخاطر الصحية التي تنجم عن ملامسة المواد السامة يستخدم منظف المواسير في المواسير المذكورة أحتج الإصابة. انها فقط إن استخدام منظف المواسير بحجم خطأ يمكن أن يؤدي إلى التواء أو إنحناء أو إنكسار الحلزون وإلى قم بفحص الحلزون قبل الاستعمال عما إذا كان به آثار تهاك وأضرار. قم بإستبدال الحلزون التهاك أو الذي به ضرر قبل استخدام منظف المواسير.

لا تقم بإجراء التواء أو إنحناء بشكل أكثر من اللازم للحلزون. إن إنكسار الحلزون يمكن أن يؤدي إلى إصابات حادة.

Copyright 2020
Techtronic Industries GmbH
Max-Eyth-Straße 10
71364 Winnenden
Germany
+49 (0) 7195-12-0
www.milwaukeeetool.eu

Techtronic Industries (UK) Ltd
Fieldhouse Lane
Marlow Bucks SL7 1HZ
UK



**EAC UK
CA**

(11.20)

4931 4254 01