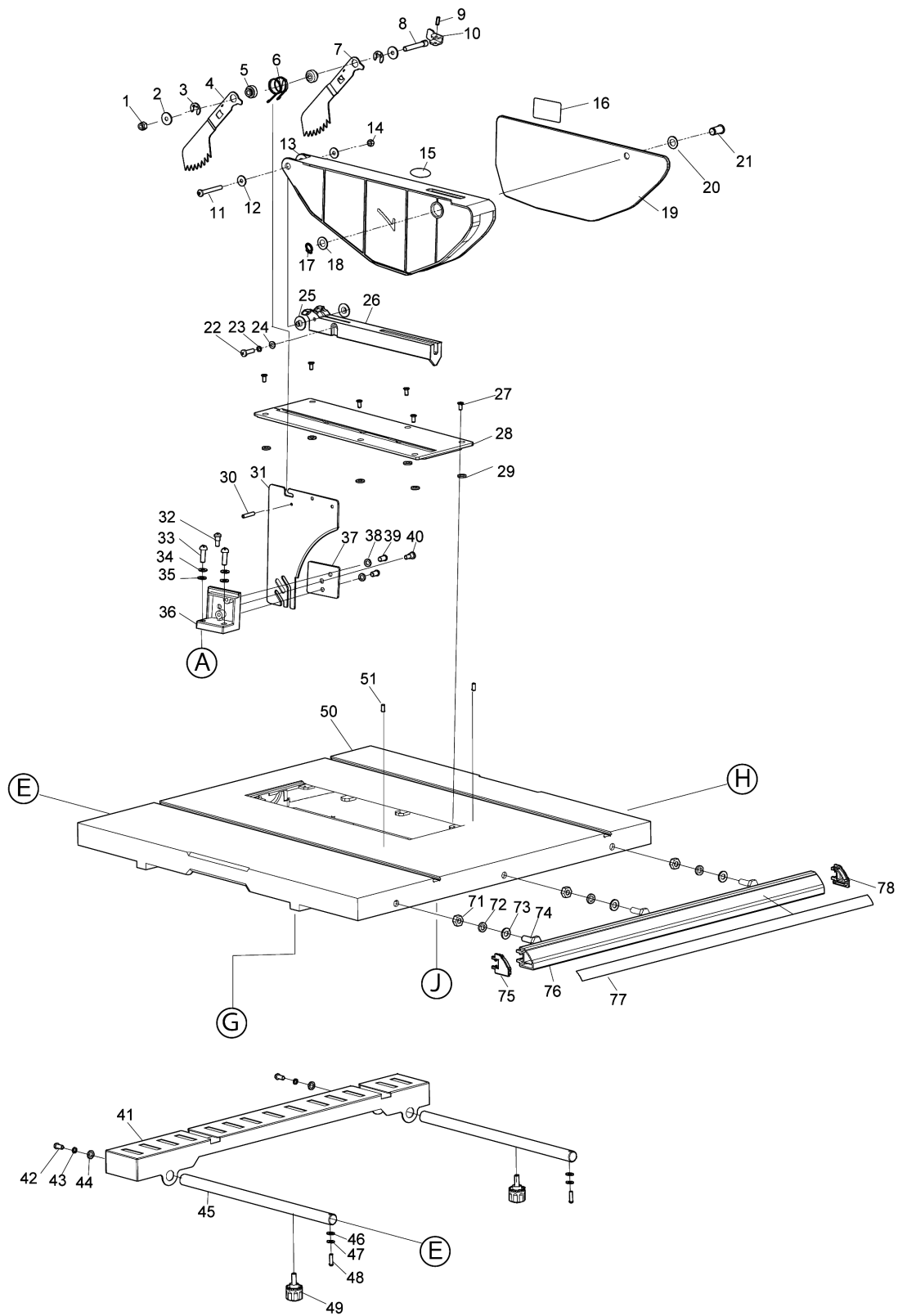
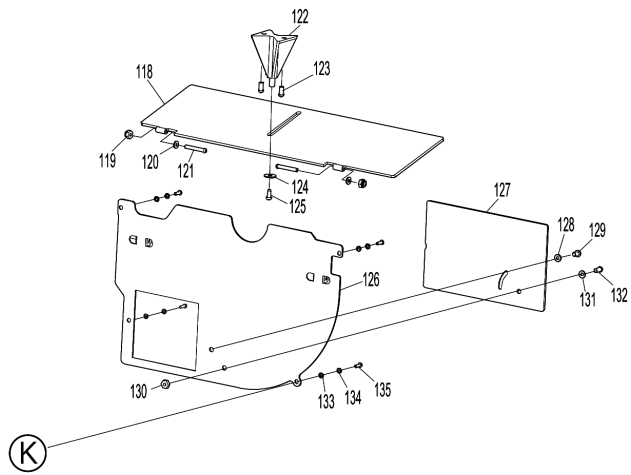
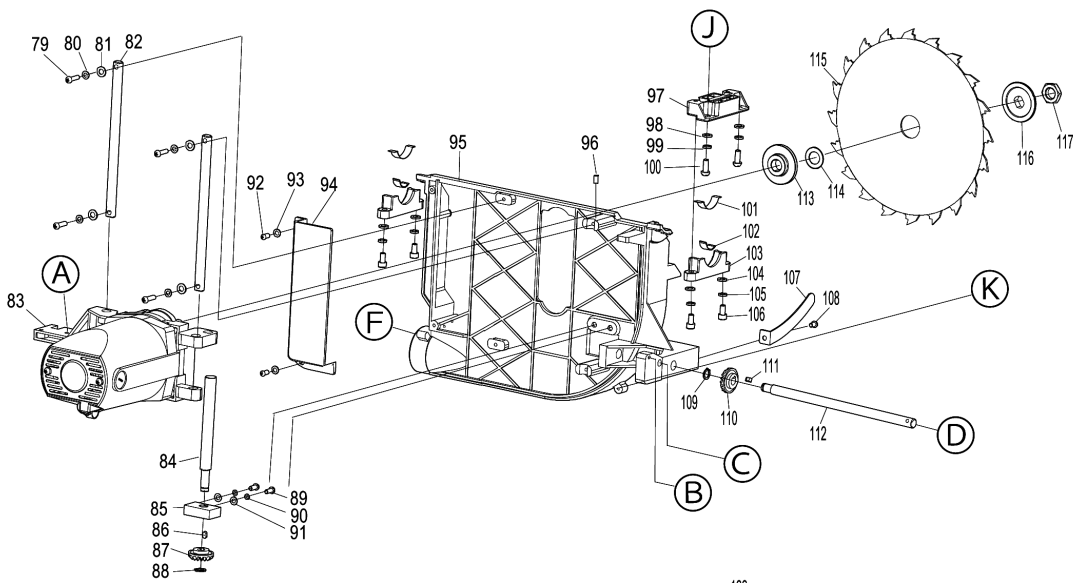
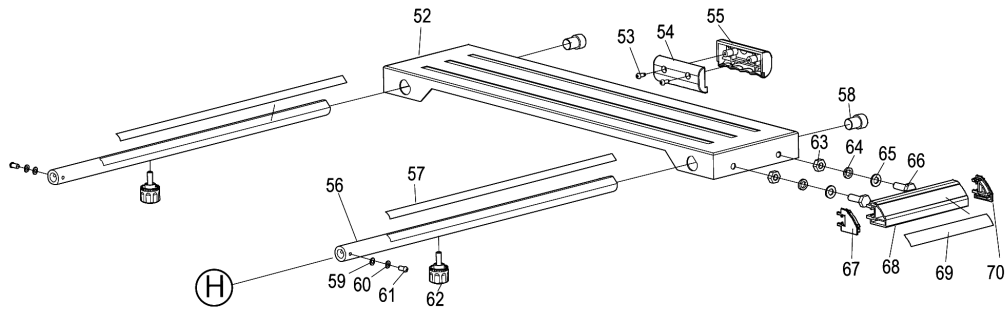


Model No.MLT100N 260MM TABLE SAW

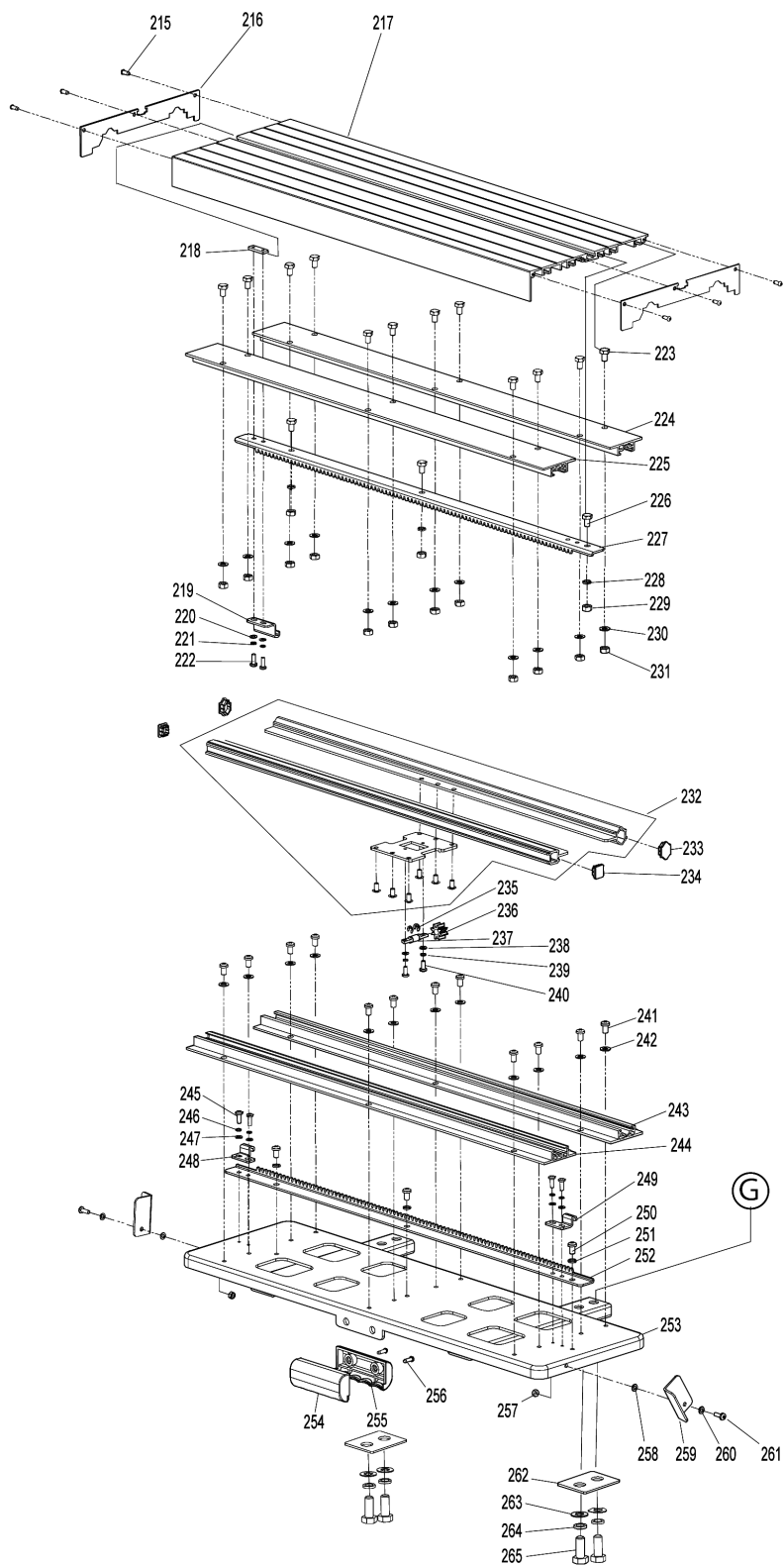


# Model No.MLT100N 260MM TABLE SAW

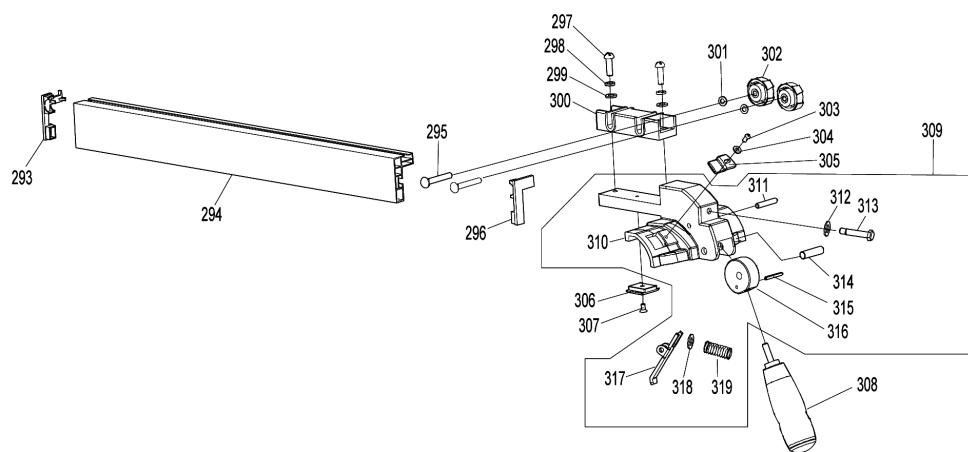
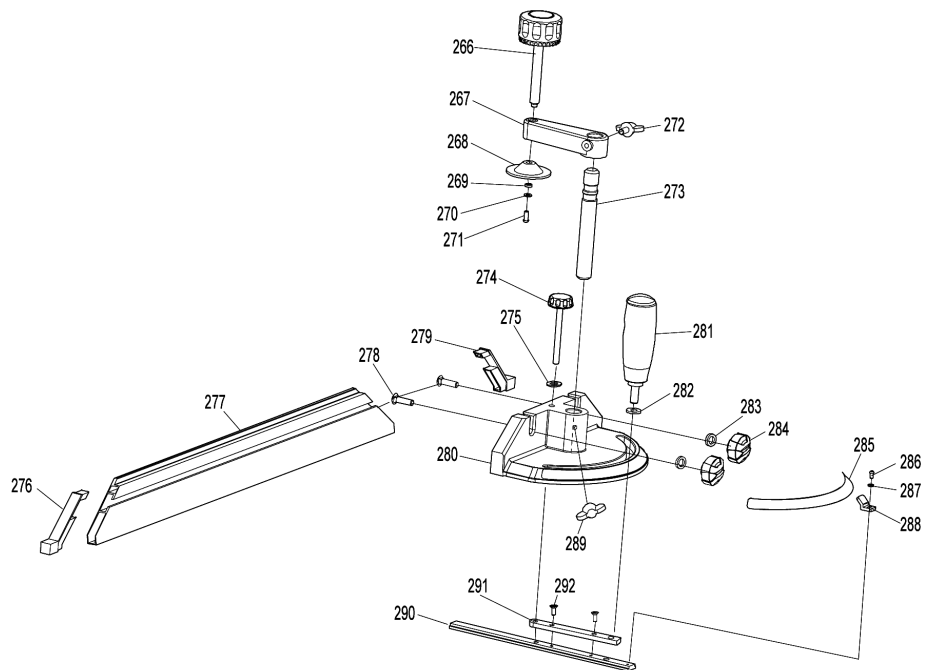




# Model No.MLT100N 260MM TABLE SAW

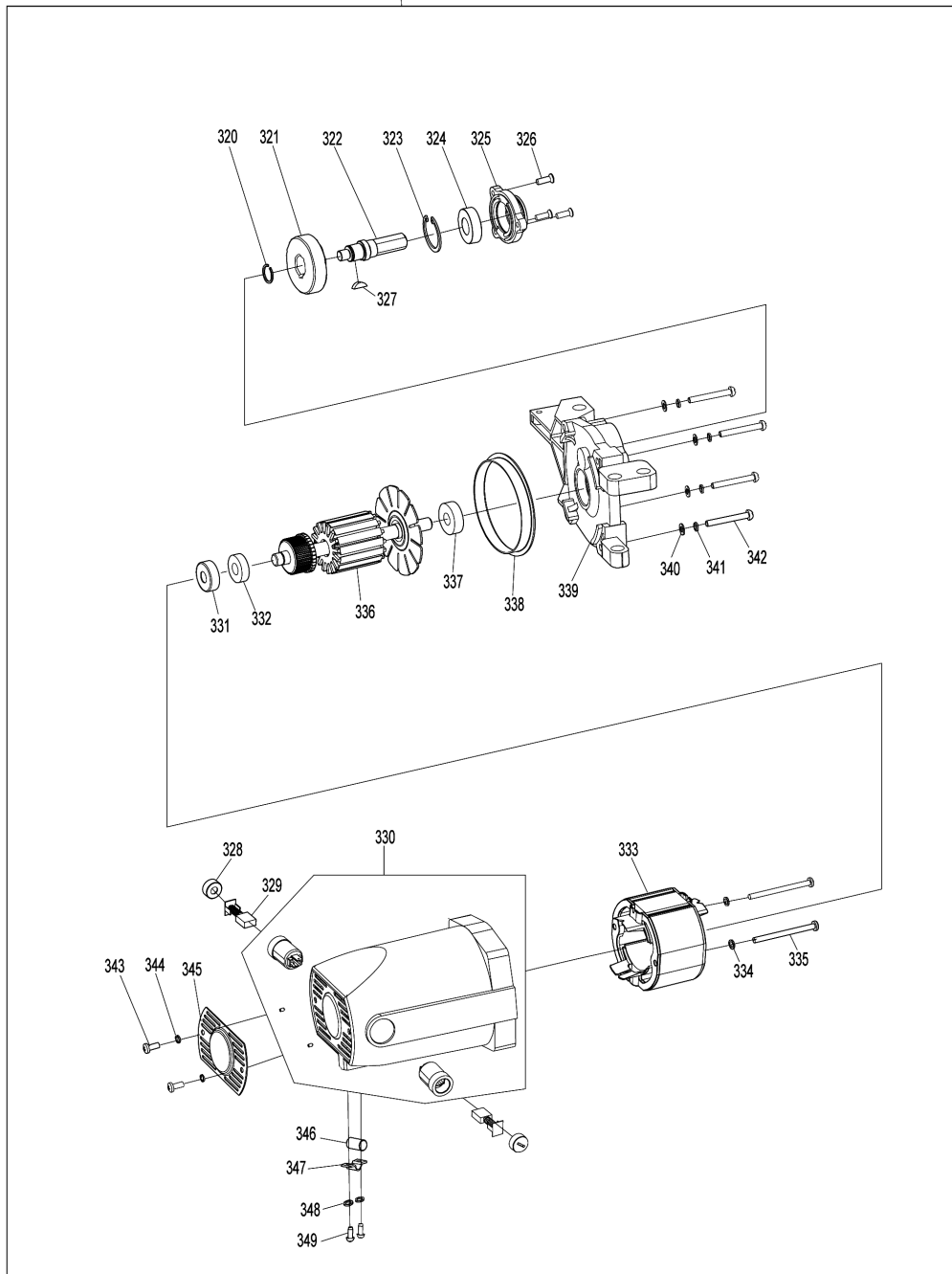


# Model No.MLT100N 260MM TABLE SAW



Model No.MLT100N 260MM TABLE SAW

83



Model No.MLT100N 260MM TABLE SAW

Položka	Číslo dílu	Popis	Změna	Množství	New/Old	Možnost 1	Možnost 2	Poznámka
001	JM27000051	HEX LOCK NUT M6		1				
002	JM27000055	WASHER 6 (21.5)		2				
003	JM00000198	E SHAPE RETAINING RING E-10		2				
004	JM00000059	ANTI KICKBACK PAWL LEFT		1				
005	JM00000057	SPACER RING 6		2				
006	JM00000058	TORSION SPRING		1				
007	JM00000056	ANTI KICKBACK PAWL RIGHT		1				
008	JM00000055	TENSION BOLT M6X47		1				
009	JM27000059	PIN 4X12		1				
010	JM27000061	QUICK FIXING LEVER		1				
011	JM00000052	TAMPERPROOF STEPPED BOLT M5X47		1				
012	JM27000055	WASHER 6 (21.5)		2				
013	JM00000054	BLADE GUARD		1				
014	JM27000183	HEX LOCK NUT M5		1				
015	JM2708B060	CAUTION LABEL		1				
016	JM27080108	LABEL(RIVING KNIFE SETTING)		1				
017	JM27000163	RETAINING RING S-10		1				
018	JM27000064	FLAT WASHER 10		1				
019	JM00000053	SUB BLADE GUARD		1				
020	JM27000064	FLAT WASHER 10		1				
021	JM27000063	PIN 10X21.5		1				
022	JM27000156	PAN HEAD SCREW M5X20		1				
023	JM27000048	SPRING WASHER 5		1				
024	JM27000155	FLAT WASHER 5		1				
025	JM27000352	FLANGED WASHER		2				
026	JM00000051	BLADE GUARD STAND		1				
027	JM27000066	FLAT HEAD SCREW M4X8		6				
028	JM27000067	TABLE INSERT (PLASTIC)		1				
029	JM27000453	O-RING 2.5X1.5		6				
030	JM00000049	SPRING PIN 4X25		1				
031	JM00000048	RIVING KNIFE		1				
032	JM00000047	TAMPERPROOF STEPPED BOLT M5X20		1				
033	JM27000149	HEX SOCKET HEAD BOLT M6X20		2				
034	JM27000017	SPRING WASHER 6		2				
035	JM27000024	FLAT WASHER 6		2				
036	JM27000148	BRACKET FOR RIVING KNIFE		1				
037	JM27000151	FIX PLATE FOR RIVING KNIFE		1				
038	JM27000017	SPRING WASHER 6		2				
039	JM27000149	HEX SOCKET HEAD BOLT M6X20		2				
040	JM00000046	TAMPERPROOF STEPPED BOLT M5X15		1				
041	JM27000045	REAR EXTENSION TABLE		1				
042	JM27000167	PAN HEAD SCREW M5X12		2				

Please order the parts with part number.

Print Date 16/2/2022

Model No.MLT100N 260MM TABLE SAW

Položka	Číslo dílu	Popis	Změna	Množství	New/Old	Možnost 1	Možnost 2	Poznámka
043	JM27000048	SPRING WASHER 5		2				
044	JM27000047	WASHER 5 (L)		2				
045	JM27000044	SLIDE SHAFT 330		2				
046	JM27000155	FLAT WASHER 5		2				
047	JM27000048	SPRING WASHER 5		2				
048	JM27000167	PAN HEAD SCREW M5X12		2				
049	JM27000043	KNOB BOLT M6X20		2				
050	JM00000003	MAIN TABLE B COMPLETE		1	*			
050-1	JM00000261	MAIN TABLE B COMPLETE	O	1				
051	JM27000339	H.S.SET SCREW M6X20 WITH GLUE		2				
052	JM27000068	RIGHT EXTENSION TABLE		1	*			
052-1	JM00000263	RIGHT EXTENSION TABLE	O	1				
053	JM27000004	SELF TAPPING SCREW ST3.9X12		2				
054	JM27000006	GRIP (INSIDE)		1				
055	JM27000005	GRIP (OUTSIDE)		1				
056	JM27000425	SLIDE PIPE 630		2				
057	JM27000428	SCALE LABEL SL-PIPE (METRIC)		2				
058	JM27000069	HEX SOCKET HEAD BOLT M14X20		2				
059	JM27000155	FLAT WASHER 5		2				
060	JM27000048	SPRING WASHER 5		2				
061	JM27000167	PAN HEAD SCREW M5X12		2				
062	JM27000043	KNOB BOLT M6X20		2				
063	JM27000070	HEX NUT M8		2				
064	JM27000071	SPRING WASHER 8		2				
065	JM27000072	FLAT WASHER 8		2				
066	JM27000073	SQUARE NECK BOLT M8X25		2				
067	JM27000078	FRONT RAIL END CAP LEFT		1				
068	JM27000075	FRONT RAIL FOR RIGHT EX-TABLE		1				
069	JM27000335	SCALE LABEL EX-TABLE (METRIC)		1				
070	JM27000074	FRONT RAIL END CAP RIGHT		1				
071	JM27000070	HEX NUT M8		3				
072	JM27000071	SPRING WASHER 8		3				
073	JM27000072	FLAT WASHER 8		3				
074	JM27000073	SQUARE NECK BOLT M8X25		3				
075	JM27000078	FRONT RAIL END CAP LEFT		1				
076	JM27000082	FRONT RAIL		1				
077	JM27000333	SCALE LABEL (METRIC)		1				
078	JM27000074	FRONT RAIL END CAP RIGHT		1				
079	JM27000156	PAN HEAD SCREW M5X20		4				
080	JM27000048	SPRING WASHER 5		4				
081	JM27000155	FLAT WASHER 5		4				
082	JM27000157	SLIDE SHAFT FOR BLADE LIFTING		2				



Model No.MLT100N 260MM TABLE SAW

Položka	Číslo dílu	Popis	Změna	Množství	New/Old	Možnost 1	Možnost 2	Poznámka
083	JM27000147	MOTOR ASSEMBLY 230V		1				
D10		INC. 320-349			*			
D11		INC. 320-330,333-336,338-349						
084	JM27000158	SLIDE SCREW FOR BLADE LIFTING		1				
085	JM27000160	BRACKET FOR SLIDE SCREW		1				
086	JM27000159	KEY 4X8		1				
087	JM27000162	BEVEL GEAR FOR BLADE LIFTING		1				
088	JM27000163	RETAINING RING S-10		1				
089	JM27000161	HEX SOCKET HEAD BOLT M5X20		2				
090	JM27000048	SPRING WASHER 5		2				
091	JM27000155	FLAT WASHER 5		2				
092	JM27000042	PAN HEAD SCREW M5X10		2				
093	JM27000155	FLAT WASHER 5		2				
094	JM27000154	COVER PLATE FOR BLADE CASE		1				
095	JM27000153	BLADE CASE LEFT SIDE		1				
096	JM27000172	H.S.SET SCREW M6X12 WITH GLUE		1				
097	JM27000112	BLADE CASE FIX BRACKET SPACER		1				
098	JM27000024	FLAT WASHER 6		2				
099	JM27000017	SPRING WASHER 6		2				
100	JM27000111	HEX BOLT M6X16		2				
101	JM27000152	RETAINER PLATE FOR BLADE CASE		2				
102	JM27000173	SPRING FOR BLADE CASE BRACKET		2				
103	JM27000039	FIX BRACKET FOR BLADE CASE		2				
104	JM27000024	FLAT WASHER 6		4				
105	JM27000017	SPRING WASHER 6		4				
106	JM27000038	PAN HEAD SCREW M6X16		4				
107	JM27000170	PROTECTION PLATE		1				
108	JM27000042	PAN HEAD SCREW M5X10		1				
109	JM27000163	RETAINING RING S-10		1				
110	JM27000162	BEVEL GEAR FOR BLADE LIFTING		1				
111	JM27000159	KEY 4X8		1				
112	JM27000165	HANDLE AXLE FOR BLADE LIFTING		1				
113	JM27000171	INNER FLANGE 52		1				
114	JM27000100	BLADE INNER LING 30.0		1				
115	JM27000097	SAW BLADE 260X30		1				
116	JM27000179	OUTER FLANGE 52		1				
117	JM27000180	HEX NUT M16		1				
118	JM27000178	PROTECTION PLATE 397X123		1				
119	JM27000176	HEX LOCK NUT M3		2				
120	JM27000175	WASHER 3 (L)		2				

Model No.MLT100N 260MM TABLE SAW

Položka	Číslo dílu	Popis	Změna	Množství	New/Old	Možnost 1	Možnost 2	Poznámka
121	JM27000174	PAN HEAD SCREW M3X25		2				
122	JM27000184	SUPPORT BRACKET		1				
123	JM27000042	PAN HEAD SCREW M5X10		2				
124	JM27000109	WASHER 4 (L)		1				
125	JM27000177	TAPPING SCREW ST3.9X10		1				
126	JM27000181	BLADE CASE RIGHT SIDE		1				
127	JM27000182	BLADE CASE PLATE		1				
128	JM27000047	WASHER 5 (L)		1				
129	JM27000042	PAN HEAD SCREW M5X10		1				
130	JM27000183	HEX LOCK NUT M5		1				
131	JM27000047	WASHER 5 (L)		1				
132	JM27000042	PAN HEAD SCREW M5X10		1				
133	JM27000009	FLAT WASHER 4		4				
134	JM27000013	SPRING WASHER 4		4				
135	JM27000027	PAN HEAD SCREW M4X10		4				
136	JM27000106	CABINET		1				
137	JM27000090	CUFFS 57-45		1				
138	JM27000011	PAN HEAD SCREW M4X12		2				
139	JM27000009	FLAT WASHER 4		2				
140	JM27000089	SAW DUST OUTLET		1				
141	JM27000092	HEX BOLT M6X55		1				
142	JM27000091	HEX BOLT M6X65		1				
143	JM27000093	CORD HANGER		2				
144	JM27000024	FLAT WASHER 6		2				
145	JM27000032	HEX NUT M6		2				
146	JM27000177	TAPPING SCREW ST3.9X10		2				
147	JM00000049	SPRING PIN 4X25		1				
148	JM00000050	ANTI KICKBACK PAWL HANGER		1				
149	JM27000047	WASHER 5 (L)		6				
150	JM27000156	PAN HEAD SCREW M5X20		6				
151	JM23000156	POWER SUPPLY CORD ASSY EURO		1				
152	JM27000094	CORD GUARD		1				
153	JM27000085	KNOB NUT M10		1				
154	JM00000147	TOOL CASE ASSY		1				
155	JM00000135	HEX NUT M10		1				
156	JM27000003	FLAT WASHER 10		1				
157	JM27000104	HEX BOLT M10X45		1				
158	JM27000102	CORD CLAMP		1				
159	JM27000103	TAPPING SCREW ST3.9X16		2				
160	JM27000332	R-TYPE CABLE CLAMP		2				
161	JM27000109	WASHER 4 (L)		2				
162	JM27000004	SELF TAPPING SCREW ST3.9X12		2				
163	JM27000108	UNDER PANEL		1				
164	JM27000109	WASHER 4 (L)		6				

Model No.MLT100N 260MM TABLE SAW

Položka	Číslo dílu	Popis	Změna	Množství	New/Old	Možnost 1	Možnost 2	Poznámka
165	JM27000004	SELF TAPPING SCREW ST3.9X12		6				
167	JM00000009	NAME PLATE		1				
168	JM27000143	SUPPORT PLATE FOR ADJUST RACK		1				
169	JM27000144	FLAT HEAD SCREW M5X8		4				
170	JM27000145	RIP FENCE HOLDER		1				
171	JM27000109	WASHER 4 (L)		2				
172	JM27000004	SELF TAPPING SCREW ST3.9X12		2				
173	JM27000183	HEX LOCK NUT M5		3				
174	JM27000142	BLADE ANGLE ADJUSTING RACK		1				
175	JM27000317	FLAT HEAD SCREW M5X16		3				
176	JM27000110	FRONT PANEL LABEL		1				
177	JM27000166	ADJUSTING GRIP FOR BLADE ANGLE		1				
178	JM27000167	PAN HEAD SCREW M5X12		1				
179	JM27000155	FLAT WASHER 5		1				
180	JM00000152	CRANK FOR BLADE LIFTING		1				
181	JM00000151	HEX NUT M5		1				
182	JM27000155	FLAT WASHER 5		1				
183	JM00000153	GRIP FOR BLADE LIFTING		1				
184	JM27000169	PAN HEAD STEPPED SCREW M5X37		1				
185	JM27000164	BLADE ANGLE POINTER		1				
186	JM27000009	FLAT WASHER 4		1				
187	JM27000013	SPRING WASHER 4		1				
188	JM27000027	PAN HEAD SCREW M4X10		1				
189	JM27000141	FLAT WASHER 10		1				
190	JM27000140	COMPRESSION SPRING		1				
191	JM27000139	BLADE ANGLE LOCKING BOLT		1				
192	JM27000032	HEX NUT M6		1				
193	JM27000138	LOCK HANDLE FOR BLADE ANGLE		1				
194	JM27000137	HEX SOCKET HEAD BOLT M6X12		1				
195	JM27080020	WARNING LABEL		1				
196	JM27000113	MAKITA LOGO PLATE		1				
197	JM27000114	TAPPING SCREW ST2.9X10		2				
198	JM27000115	SOFT START DEVICE COVER		1				
199	JM27000117	TAPPING SCREW ST2.9X8		2				
200	JM27000116	SOFT START DEVICE		1				
201	JM27000004	SELF TAPPING SCREW ST3.9X12		2				
202	JM00000157	GROMMET		1				
203	JM27000118	CORD CLAMP		1				
204	JM27000119	SWITCH BOX COVER		1				
205	JM27000121	CIRCUIT BREAKER 220-240V		1				
206	JM27000120	SWITCH BOX		1				

Model No.MLT100N 260MM TABLE SAW

Položka	Číslo dílu	Popis	Změna	Množství	New/Old	Možnost 1	Možnost 2	Poznámka
207	JM00000155	CORD CLAMP		1				
208	JM27000114	TAPPING SCREW ST2.9X10		2				
209	JM27000342	CAPACITOR		1				
210	JM00000134	FERRITE RING		1				
211	JM27000122	LABEL FOR CIRCUIT BREAKER		1				
212	JM27000123	NUT FOR CIRCUIT BREAKER		1				
213	JM27000136	PAN HEAD SCREW M4X14		2				
214	JM27000443	ANTI RESTART SWITCH 220-240V		1				
215	JM27000037	TAPPING SCREW ST3.9X8		6				
216	JM27000036	SLIDING TABLE COVER		2				
217	JM27000035	SLIDING TABLE		1				
218	JM27000034	PLATE NUT M4		1				
219	JM27000031	SLIDE LIMITER LOWER REAR		1				
220	JM27000009	FLAT WASHER 4		2				
221	JM27000013	SPRING WASHER 4		2				
222	JM27000011	PAN HEAD SCREW M4X12		2				
223	JM27000033	HEX BOLT M6X10		12				
224	JM27000022	V-SLIDER RAIL OUTSIDE		1				
225	JM27000014	SQUARE SLIDER RAIL OUTSIDE		1				
226	JM27000033	HEX BOLT M6X10		3				
227	JM27000018	RACK FOR SLIDE TABLE		1				
228	JM27000024	FLAT WASHER 6		3				
229	JM27000032	HEX NUT M6		3				
230	JM27000024	FLAT WASHER 6		12				
231	JM27000032	HEX NUT M6		12				
232	JM00000149	SLIDE RAIL ASSY		1				
233	JM27000021	V-SLIDER RAIL END CAP		2				
234	JM27000020	SQUARE SLIDER RAIL END CAP		2				
235	JM27000029	E SHAPE RETAINING RING 6		2				
236	JM27000025	PINION GEAR FOR SLIDE TABLE		1				
237	JM27000028	PINION GEAR AXLE		1				
238	JM27000009	FLAT WASHER 4		2				
239	JM27000013	SPRING WASHER 4		2				
240	JM27000027	PAN HEAD SCREW M4X10		2				
241	JM27000016	PAN HEAD SCREW M6X10		12				
242	JM27000024	FLAT WASHER 6		12				
243	JM27000022	V-SLIDER RAIL OUTSIDE		1				
244	JM27000014	SQUARE SLIDER RAIL OUTSIDE		1				
245	JM27000011	PAN HEAD SCREW M4X12		4				
246	JM27000013	SPRING WASHER 4		4				
247	JM27000009	FLAT WASHER 4		4				
248	JM27000012	SLIDE LIMITER LOWER REAR		1				

Model No.MLT100N 260MM TABLE SAW

Položka	Číslo dílu	Popis	Změna	Množství	New/Old	Možnost 1	Možnost 2	Poznámka
249	JM27000019	SLIDE LIMITER LOWER FRONT		1				
250	JM27000016	PAN HEAD SCREW M6X10		3				
251	JM27000024	FLAT WASHER 6		3				
252	JM27000018	RACK FOR SLIDE TABLE		1				
253	JM27000008	SLIDE TABLE BASE		1				
254	JM27000005	GRIP (OUTSIDE)		1				
255	JM27000006	GRIP (INSIDE)		1				
256	JM27000004	SELF TAPPING SCREW ST3.9X12		2				
257	JM27000007	HEX LOCK NUT M4		2				
258	JM00000154	WAVE WASHER 4		2				
259	JM27000010	SLIDE TABLE STOPPER		2				
260	JM27000009	FLAT WASHER 4		2				
261	JM27000011	PAN HEAD SCREW M4X12		2				
262	JM27000327	SLIDING TABLE BASE FIX PLATE		2				
263	JM27000003	FLAT WASHER 10		4				
264	JM27000002	SPRING WASHER 10		4				
265	JM27000001	HEX BOLT M10X35		4				
266	JM27000217	THUMB SCREW M10X92		1				
267	JM27000218	WISE ARM		1				
268	JM27000219	WISE PLATE		1				
269	JM27000009	FLAT WASHER 4		1				
270	JM27000013	SPRING WASHER 4		1				
271	JM27000027	PAN HEAD SCREW M4X10		1				
272	JM27000210	THUMB SCREW M6X13		1				
273	JM27000216	WISE ROD		1				
274	JM27000213	THUMB SCREW M6X62		1				
275	JM27000024	FLAT WASHER 6		1				
276	JM27000220	FENCE END CAP		1				
277	JM27000221	FENCE PLATE		1				
278	JM27000222	SQUARE NECK BOLT M6X30		2				
279	JM27000220	FENCE END CAP		1				
280	JM27000223	ANGLE RULE BASE		1				
281	JM27000215	GRIP SCREW M8X20		1				
282	JM27000212	WASHER 8		1				
283	JM27000211	WASHER 6 (L)		2				
284	JM27000203	THUMB NUT M6		2				
285	JM27000214	SCALE LABEL		1				
286	JM27000209	PAN HEAD SCREW M3X8		1				
287	JM27000208	FLAT WASHER 3		1				
288	JM27000207	POINTER		1				
289	JM27000210	THUMB SCREW M6X13		1				
290	JM27000206	SLIDING BAR		1				
291	JM27000225	SLIDING BAR SPACER		1				
292	JM27000066	FLAT HEAD SCREW M4X8		2				

Model No.MLT100N 260MM TABLE SAW

Položka	Číslo dílu	Popis	Změna	Množství	New/Old	Možnost 1	Možnost 2	Poznámka
293	JM27000205	FENCE END CAP		1				
294	JM27000201	FENCE BAR		1				
295	JM27000204	SQUARE NECK BOLT M6X60		2				
296	JM27000200	FENCE END CAP		1				
297	JM27000149	HEX SOCKET HEAD BOLT M6X20		2				
298	JM27000017	SPRING WASHER 6		2				
299	JM27000024	FLAT WASHER 6		2				
300	JM27000199	FENCE BRACKET		1				
301	JM27000211	WASHER 6 (L)		2				
302	JM27000203	THUMB NUT M6		2				
303	JM27000198	PAN HEAD SCREW M4X8		1				
304	JM27000009	FLAT WASHER 4		1				
305	JM27000197	POINTER		1				
306	JM27000190	FRICITION PAD		1				
307	JM27000066	FLAT HEAD SCREW M4X8		1				
308	JM27000186	GRIP SCREW M8X10		1				
309	JM00000148	RIP FENCE BRACKET ASSY		1	*			
D10		INC. 310-319			*			
309-1	JM00000265	RIP FENCE BRACKET ASSY	O	1				
D10		INC. 310-319						
310	JM27000192	RIP FENCE BRACKET		1	*			
310-1	JM00000264	RIP FENCE BRACKET	O	1				
311	JM27000191	KNURLED PIN 5X30		1				
312	JM27000024	FLAT WASHER 6		1				
313	JM27000196	HEX BOLT M6X35		1				
314	JM27000188	KNURLED PIN 8X30		1				
315	JM27000187	SPRING PIN 4X30		1				
316	JM27000189	ECCENTRIC RING		1				
317	JM27000194	RIP FENCE FIXED PLATE		1				
318	JM27000024	FLAT WASHER 6		1				
319	JM27000193	COMPRESSION SPRING		1				
320	JM27000325	RETAINING RING S-16		1				
321	JM27000324	HELICAL GEAR 43		1				
322	JM27000321	SPINDLE SHAFT 5/8"		1				
323	JM27000320	RETAINING RING R-35		1				
324	JM27000319	BALL BEARING 6003RS		1				
325	JM27000318	BEARING BOX		1				
326	JM27000317	FLAT HEAD SCREW M5X16		3				
327	JM27000323	KEY 5X6.5X16		1				
328	JM27000294	BRUSH CAP		2				
329	JM23000123	CARBON BRUSH 2PCS/SET		1				
330	JM00000150	MOTOR HOUSING ASSY		1				
331	JM27000361	RUBBER RING		1				
332	JM27000445	BALL BEARING 6001RS		1				
333	JM27000302	STATOR ASSY 230V		1				

Model No.MLT100N 260MM TABLE SAW

Položka	Číslo dílu	Popis	Změna	Množství	New/Old	Možnost 1	Možnost 2	Poznámka
334	JM27000155	FLAT WASHER 5		2				
335	JM27000305	TAPPING SCREW ST4.8X70		2				
336	JM27000309	ARMATURE ASSY 230V		1				
D10		INC. 331,332,337						
337	JM27000446	BALL BEARING 6201RS		1				
338	JM27000313	BAFFLE RING		1				
339	JM27000424	GEAR BOX ASSEMBLY		1				
340	JM27000155	FLAT WASHER 5		4				
341	JM27000048	SPRING WASHER 5		4				
342	JM27000316	PAN HEAD SCREW M5X35		4				
343	JM27000292	PAN HEAD SCREW M5X8		2				
344	JM27000155	FLAT WASHER 5		2				
345	JM27000293	AIR INLET COVER PLATE		1				
346	JM00000156	VINYL TUBE		1				
347	JM27000299	CORD CLAMP		1				
348	JM27000009	FLAT WASHER 4		2				
349	JM27000004	SELF TAPPING SCREW ST3.9X12		2				
350	JM00000379	SLIDING TABLE ASSEMBLY		1				
D10		INC. 215-265						
A01	JM00000045	PUSHU STICK		1				
A02	JM27000087	WRENCH 24		2				
A03	JM27000329	HEX WRENCH 6		1				
A04	JM27000328	TRIANGLE PLATE		1				

Please order the parts with part number.

Print Date 16/2/2022