

Milwaukee®

Nothing but **HEAVY DUTY**®



M18 BLHACD26

Original instructions

Originalbetriebsanleitung

Notice originale

Istruzioni originali

Manual original

Oorspronkelijke gebruiksaanwijzing

Original brugsanvisning

Original bruksanvisning

Bruksanvisning i original

Alkuperäiset ohjeet

Πρωτότυπο οδηγιών χρήσης

Orijinal işletme talimatı

Původním návodem k používání

Pôvodný návod na použitie

Instrukcją oryginalną

Eredeti használati utasítás

Izvirna navodila

Originalne pogonske upute

Instrukcijām oriģinālvalodā

Originali instrukcija

Algupärane kasutusjuhend

Оригинальное руководство по эксплуатации

Оригинално ръководство за експлоатация

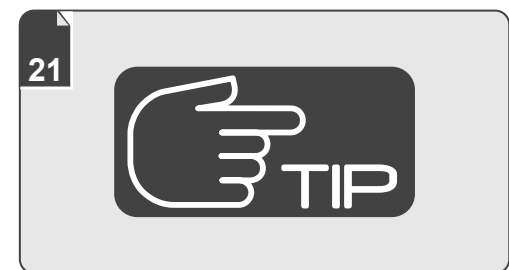
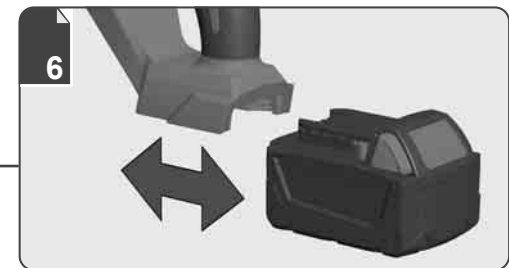
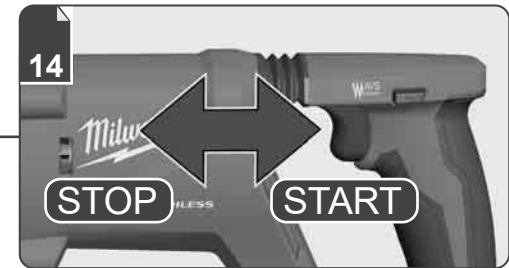
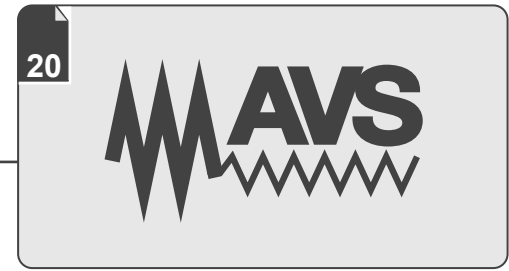
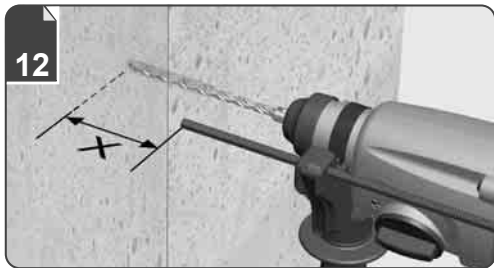
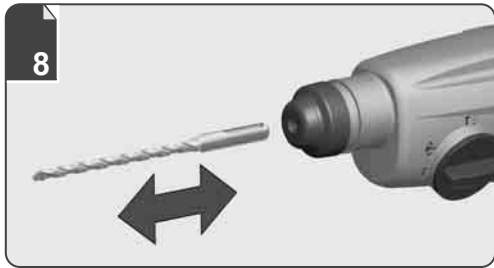
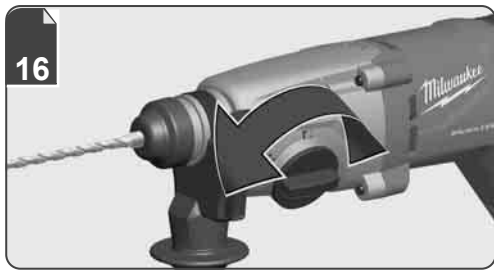
Instrucțiuni de folosire originale

Оригинален прирачник за работа

Оригінал інструкції з експлуатації

التعليمات الأصلية

ENGLISH	Picture section with operating description and functional description	Page	4	Text section with Technical Data, important Safety and Working Hints and description of Symbols	Page	22
DEUTSCH	Bildteil mit Anwendungs- und Funktionsbeschreibungen	Seite	4	Textteil mit Technischen Daten, wichtigen Sicherheits- und Arbeitshinweisen und Erklärung der Symbole.	Seite	25
FRANÇAIS	Partie imagée avec description des applications et des fonctions	Page	4	Partie textuelle avec les données techniques, les consignes importantes de sécurité et de travail ainsi que l'explication des pictogrammes.	Page	28
ITALIANO	Sezione illustrata con descrizione dell'applicazione e delle funzioni	Pagina	4	Sezione testo con dati tecnici, importanti informazioni sulla sicurezza e sull'utilizzo, spiegazione dei simboli.	Pagina	31
ESPAÑOL	Sección de ilustraciones con descripción de aplicación y descripción funcional	Página	4	Sección de texto con datos técnicos, indicaciones importantes de seguridad y trabajo y explicación de los símbolos.	Página	34
PORTUGUES	Parte com imagens explicativas contendo descrição operacional e funcional	Página	4	Parte com texto explicativo contendo Especificações técnicas, avisos de segurança e de operação e a descrição dos símbolos.	Página	37
NEDERLANDS	Beeldgedeelte met toepassings- en functiebeschrijvingen	Pagina	4	Tekstgedeelte met technische gegevens, belangrijke veiligheids- en arbeidsinstructies en verklaring van de symbolen.	Pagina	40
DANSK	Billeddel med anvendelses- og funktionsbeskrivelser	Side	4	Tekstdel med tekniske data, vigtige sikkerheds- og arbejdsanvisninger og symbolforklaring.	Side	43
NORSK	Billeddel med bruks- og funksjonsbeskrivelse	Side	4	Tekstdel med tekniske data, viktige sikkerhets- og arbeidsinstruksjoner og forklaring av symbolene.	Side	46
SVENSKA	Bilddel med användnings- och funktionsbeskrivning	Sidan	4	Textdel med tekniska informationer, viktiga säkerhets- och användningsinstruktioner samt symbolförklaringar.	Sidan	49
SUOMI	Kuvasivut käyttö- ja toimintakuvaus	Sivu	4	Tekstisivut: tekniset tiedot, tärkeät turvallisuus- ja työskentelyohjeet sekä merkkien selitykset.	Sivu	52
ΕΛΛΗΝΙΚΑ	Τμήμα εικόνων με περιγραφές χρήσης και λειτουργίας	Σελίδα	4	Τμήμα κειμένου με τεχνικά χαρακτηριστικά, σημαντικές υποδείξεις ασφαλείας και εργασίας και εξήγηση των συμβόλων.	Σελίδα	55
TÜRKÇE	Resim bölümü Uygulama ve fonksiyon açıklamaları ile birlikte	Sayfa	4	Teknik bilgileri, önemli güvenlik ve çalışma açıklamalarını ve de sembollerin açıklamalarını içeren metin bölümü.	Sayfa	58
ČEŠTINA	Obrazová část s popisem aplikací a funkcí	Stránka	4	Textová část s technickými daty, důležitými bezpečnostními a pracovními pokyny a s vysvětlivkami symbolů	Stránka	61
SLOVENSKY	Obrazová část s popisom aplikácií a funkcií	Stránka	4	Textová časť s technickými dátami, dôležitými bezpečnostnými a pracovnými pokynmi a s vysvetlivkami symbolov	Stránka	64
POLSKI	Część rysunkowa z opisami zastosowania i działania	Strona	4	Część opisowa z danymi technicznymi, ważnymi wskazówkami dotyczącymi bezpieczeństwa i pracy oraz objaśnieniami symboli.	Strona	67
MAGYAR	Képes részalkalmazási- és működési leírásokkal	Oldal	4	Szöveges rész műszaki adatokkal, fontos biztonsági- és munkavégzési útmutatásokkal, valamint a szimbólumok magyarázata.	Oldal	70
SLOVENŠČINA	Del slikez opisom uporabe in funkcij	Stran	4	Del besedila s tehničnimi podatki, pomembnimi varnostnimi opozorili in delovnimi navodili in pojasnili simbolov.	Stran	73
HRVATSKI	Dio sa slikamasa opisima primjene i funkcija	Stranica	4	Dio štiva sa tehničkim podacima, važnim sigurnosnim i radnim uputama i objašnjenjem simbola.	Stranica	76
LATVISKI	Attēla daļa ar lietošanas un funkciju aprakstiem	Lappuse	4	Teksta daļa ar tehniskajiem parametriem, svarīgiem drošības un darbības norādījumiem, simbolu atšifrējumiem.	Lappuse	79
LIETUVIŠKAI	Paveikslėlio dalis su vartojimo instrukcija ir funkcijų aprašymais	Puslapis	4	Teksto dalis su techniniais duomenimis, svarbiomis saugumo ir darbo instrukcijomis bei simbolių paaiškinimais.	Puslapis	82
EESTI	Pildiosa kasutusjuhendi ja funktsioonide kirjeldusega	Lehekülg	4	Tekstiosa tehniliste näitajate, oluliste ohutus- ja tööjuhenditega ning sümbolite kirjeldustega.	Lehekülg	85
РУССКИЙ	Раздел иллюстраций с описанием эксплуатации и функций	Страница	4	Текстовый раздел, включающий технические данные, важные рекомендации по безопасности и эксплуатации, а также описание используемых символов.	Страница	88
БЪЛГАРСКИ	Част със снимки с описания за приложение и функции	Страница	4	Част с текст с технически данни, важни указания за безопасност и работа и разяснение на символите.	Страница	91
ROMÂNĂ	Secvența de imagine cu descrierea utilizării și a funcțiilor	Pagina	4	Porțiune de text cu date tehnice, indicații importante privind siguranța și modul de lucru și descrierea simbolurilor.	Pagina	94
МАКЕДОНСКИ	Дел со сликисо описи за употреба и функционирање	Страница	4	Текстуален дел со Технички карактеристики, важни безбедносни и работни упатства и објаснување на символите.	Страница	97
УКРАЇНСЬКА	Частина з зображеннями з описом робіт та функцій	Сторінка	4	Текстова частина з технічними даними, важливими вказівками з техніки безпеки та експлуатації і поясненням символів.	Сторінка	100
عربي	قسم الصور يوجد به الوصف التشغيلي والوظيفي	الصفحة	4	القسم النصي المزود بالبيانات الفنية والنصائح الهامة للسلامة والعمل ووصف الرموز	الصفحة	105





Remove the battery pack before starting any work on the machine.
 Vor allen Arbeiten an der Maschine den Wechselakku herausnehmen

Avant tous travaux sur la machine retirer l'accu interchangeable.

Prima di iniziare togliere la batteria dalla macchina.

Retire la batería antes de comenzar cualquier trabajo en la máquina.

Antes de efectuar cualquier intervención na máquina retirar o bloco acumulador.

Voor alle werkzaamheden aan de machine de akku verwijderen.

Ved arbejde inden i maskinen, bør batteriet tages ud.

Ta ut vekselbatteriet før du arbeider på maskinen

Drag ur batteripaket innan arbete utföres på maskinen.

Tarkista pistotulppa ja verkkojohto mahdollisilta vaurioilta. Viat saa korjata vain alan erikoismies.

Πριν από κάθε εργασία στη μηχανή αφαιρέστε την ανταλλακτική μπαταρία.

Aletin kendinde bir çalışma yapmadan önce kartuş aküyü çıkarın.

Před zahájením veškerých prací na vrtacím šroubovákú vyjmout výměnný akumulátor.

Pred každou pracou na stroji výmenný akumulátor vytiahnuť.

Przed przystąpieniem do jakichkolwiek prac na elektronarzędziu należy wyjąć wkładkę akumulatrową.

Karbantartás, javítás, tisztítás, stb. előtt az akkumulátort ki kell venni a készülékből.

Pred deli na stroju izvlecite izmenljivi akumulator.

Prije svih radova na stroju izvaditi bateriju za zamjenu.

Pirms mašīnai veikt jebkāda veida apkopes darbus, ir jāizņem ārā akumulātors.

Prieš atlikdami bet kokius darbus įrenginyje, išimkite keičiamą akumuliatorių.

Enne kõiki töid masina kallal võtke vahetatav aku välja.

Внітьте акумулятор из машини перед проведенієм с неї каких-либo манипуляцій.

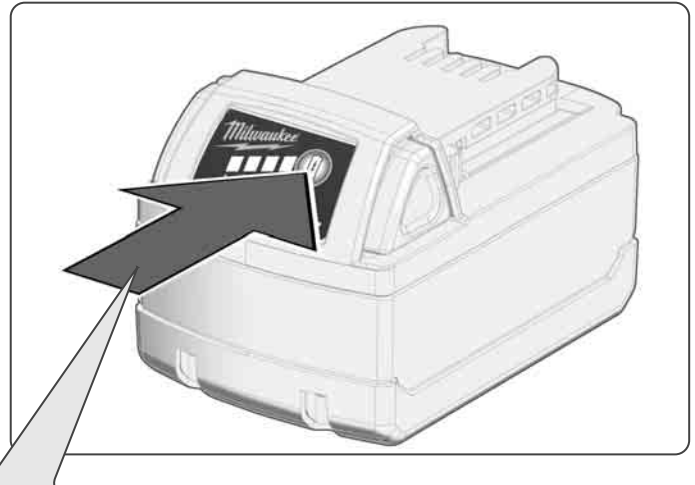
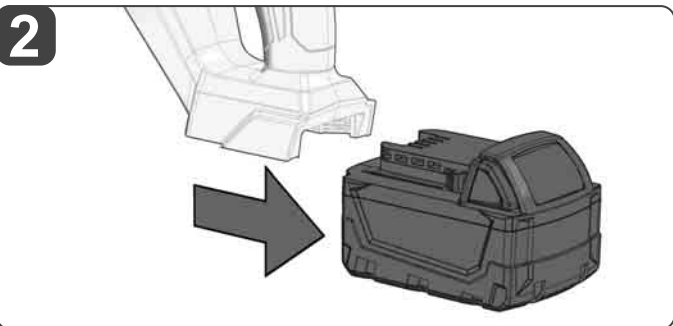
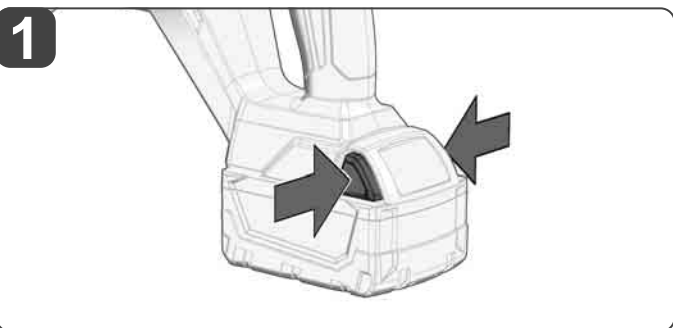
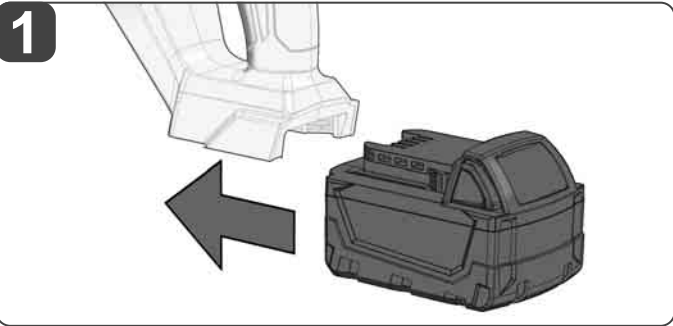
Преди започване на каквито е да е работи по машината извадете акумулатора.

Scoateți acumulatorul înainte de a începe orice intervenție pe mașină.

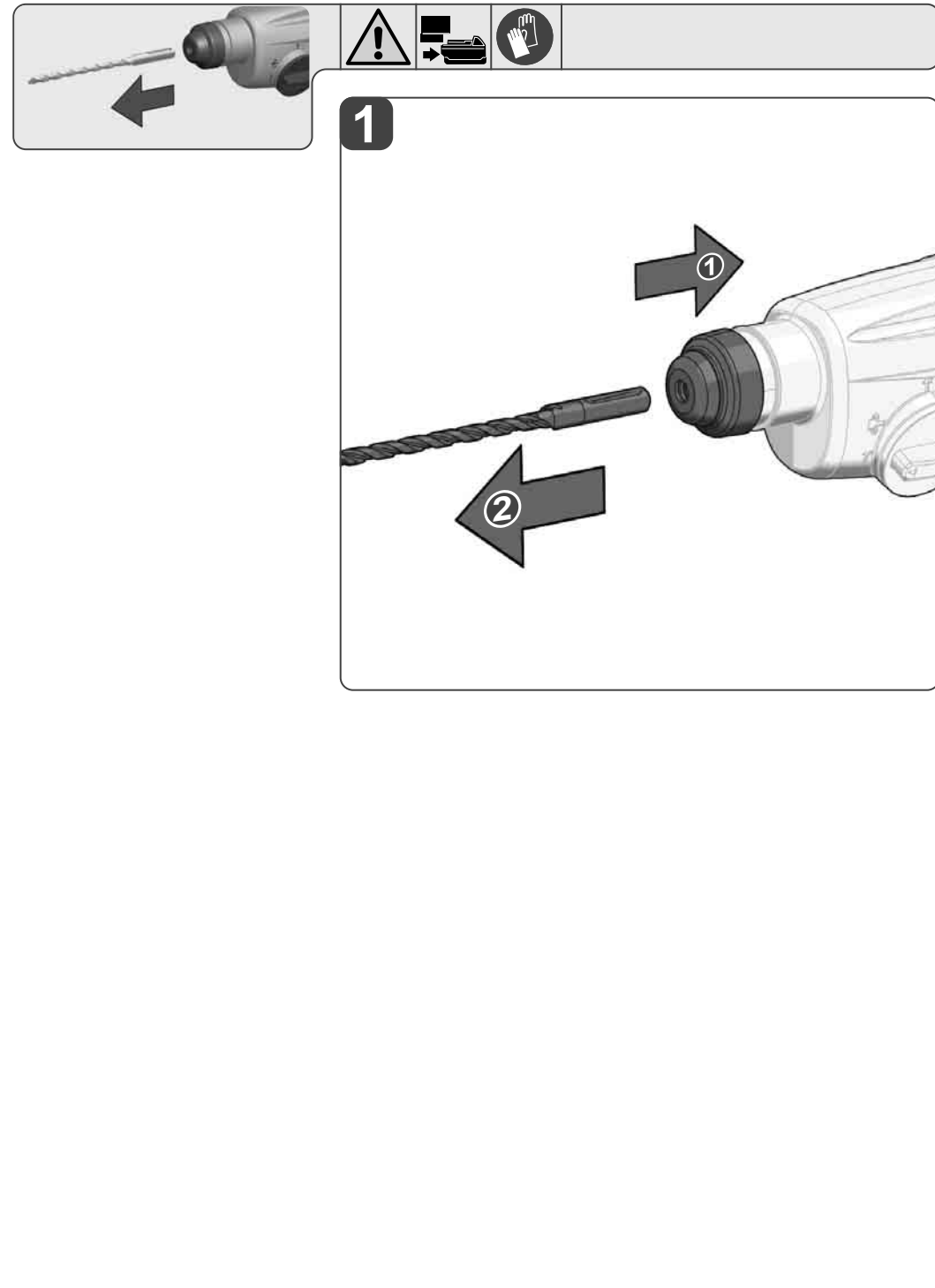
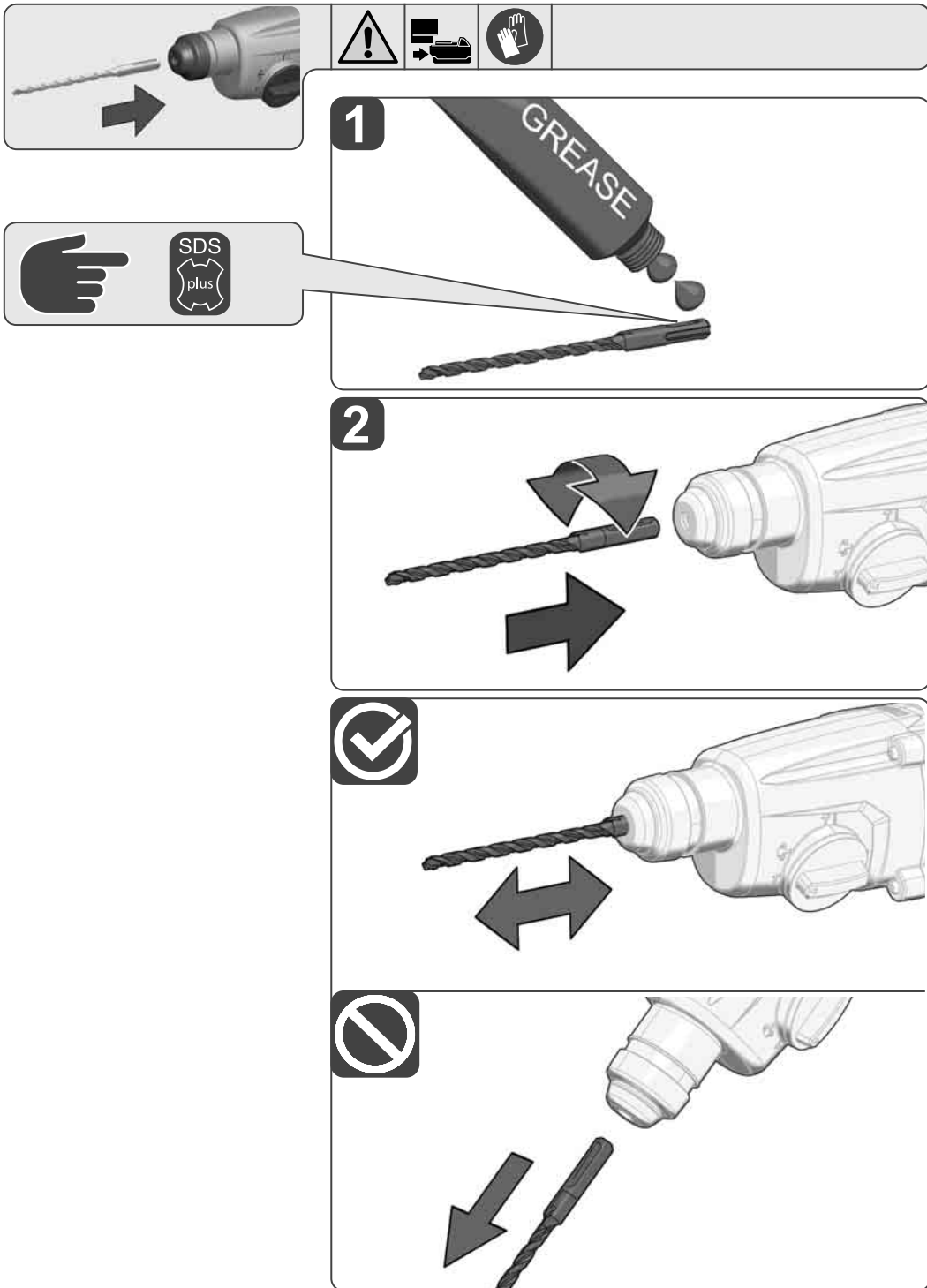
Отстранете ја батеријата пред да започнете да ја користите машината.

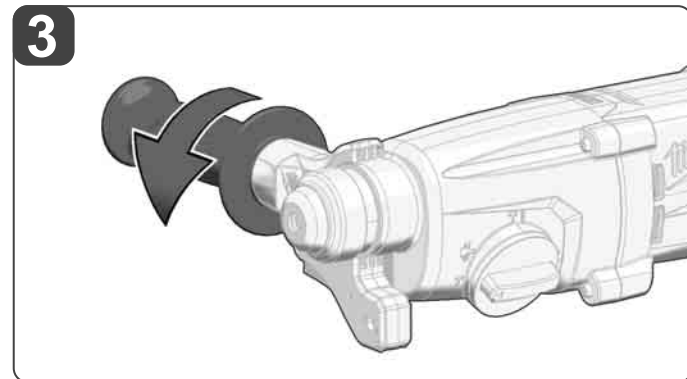
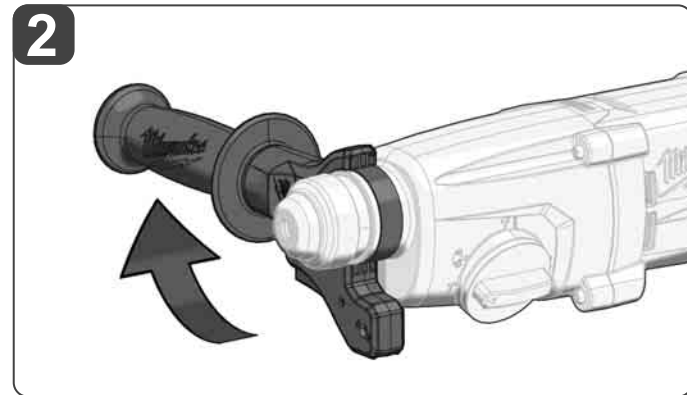
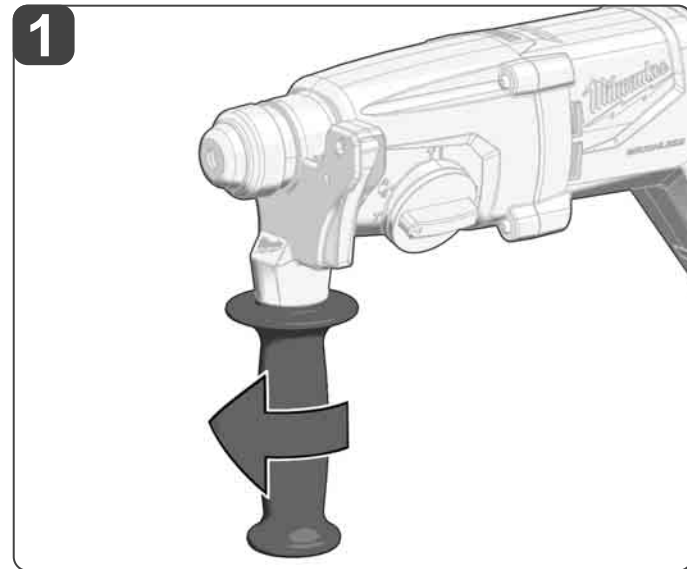
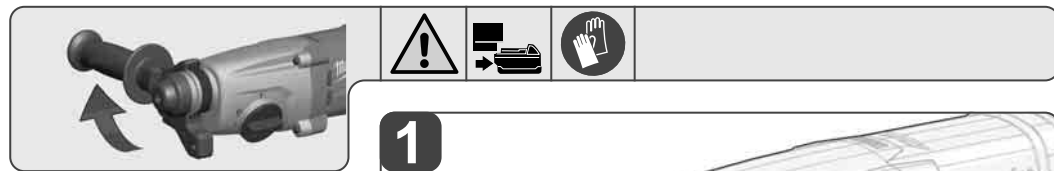
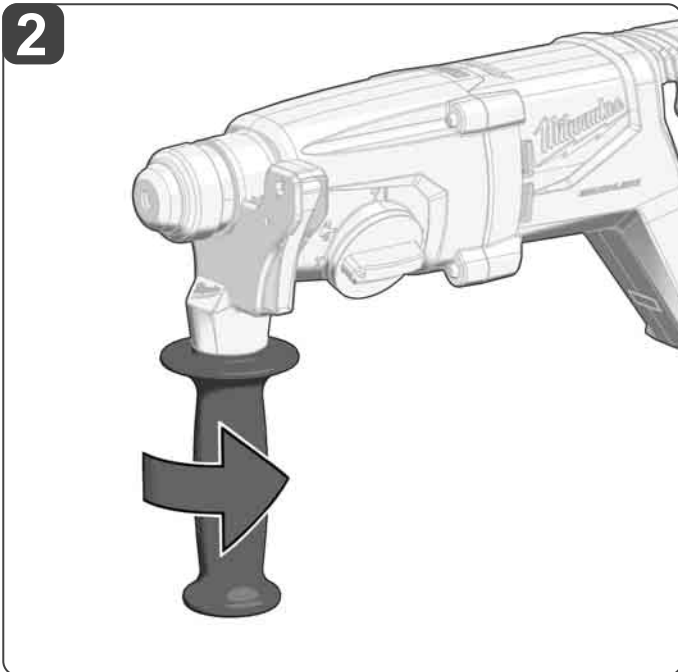
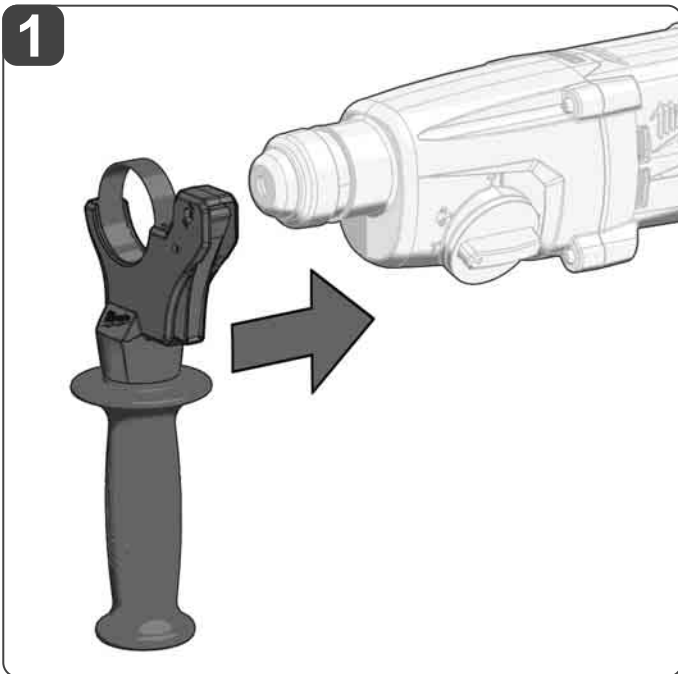
Перед будь-якими роботами на машині вийняти змінну акумуляторну батарею.

قم بإزالة حزمة البطارية قبل البدء في أي أعمال على الجهاز.



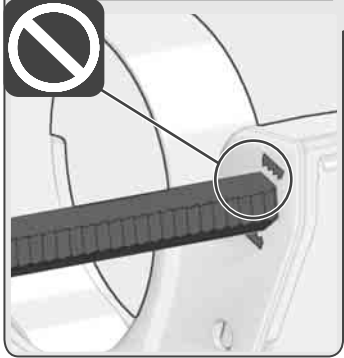
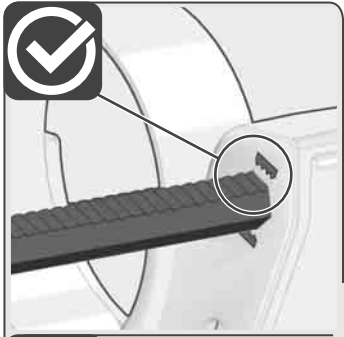
		78-100 %
		55-77 %
		33-54 %
		10-32 %
		< 10 %



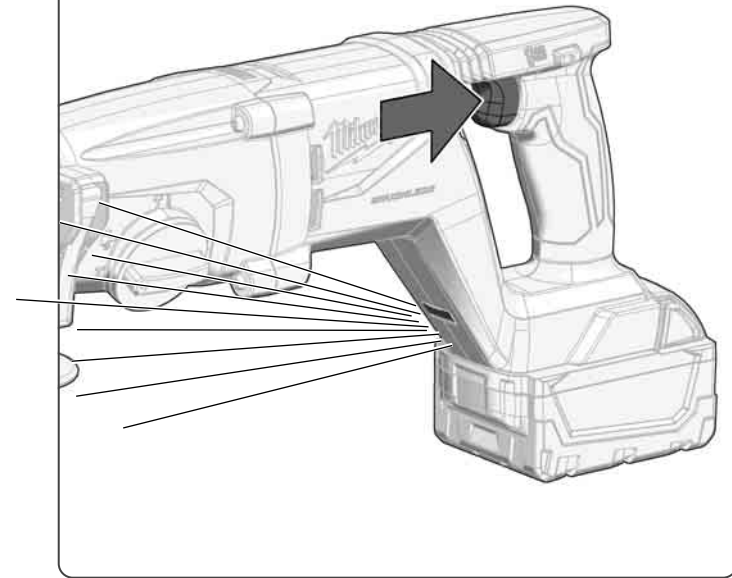
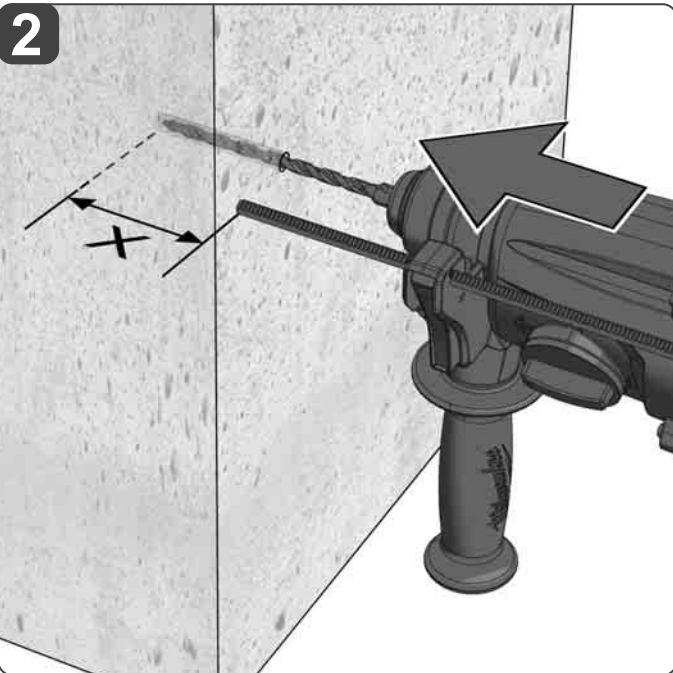


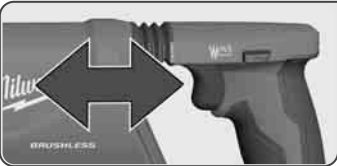


1

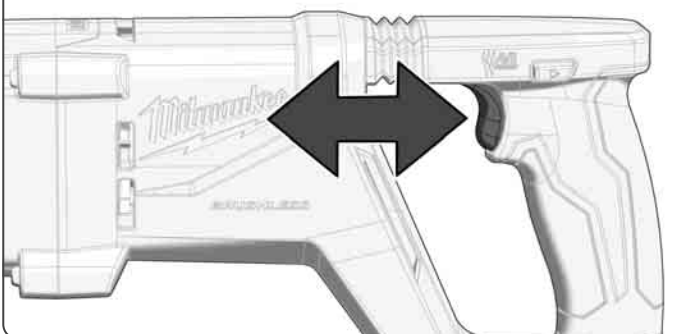


2

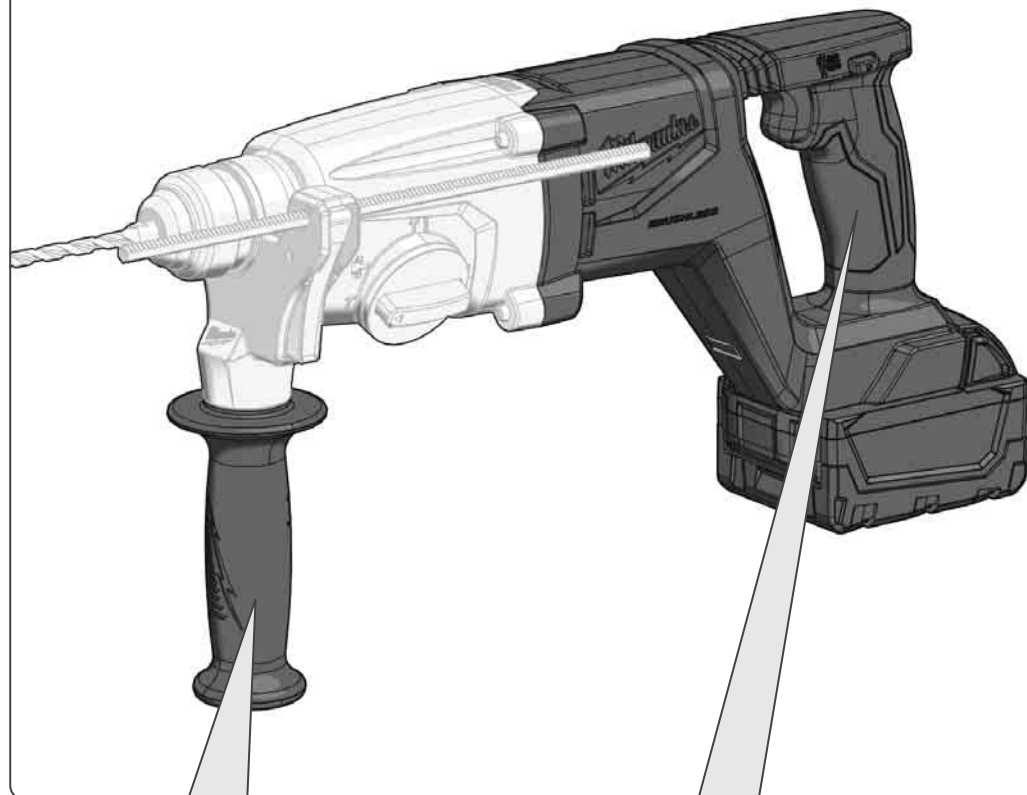
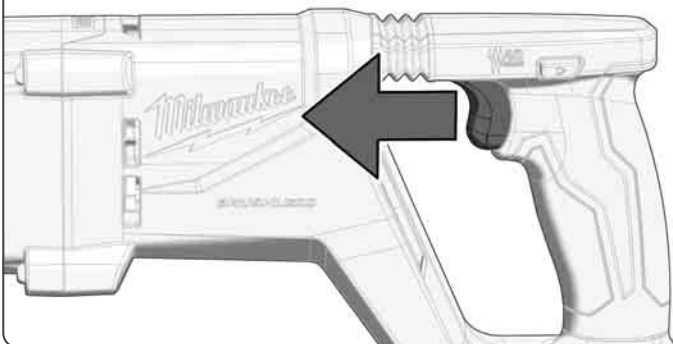




START



STOP

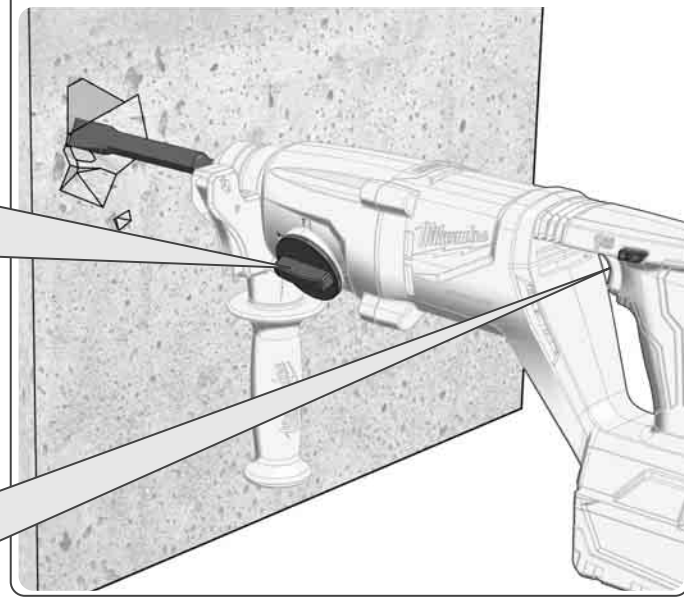
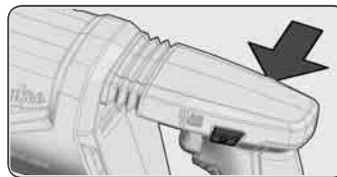
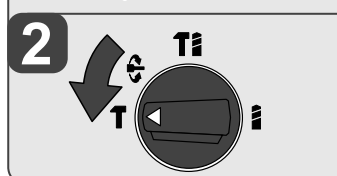
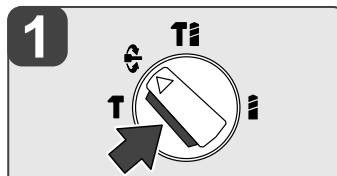
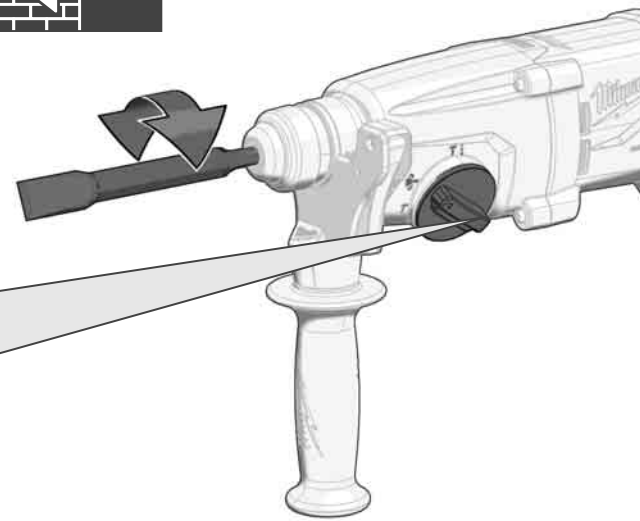
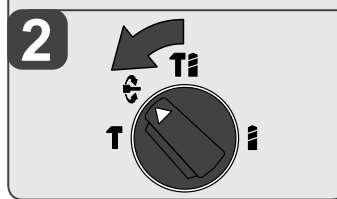
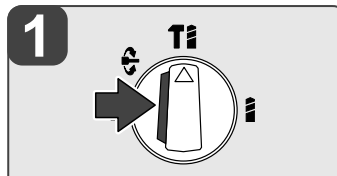
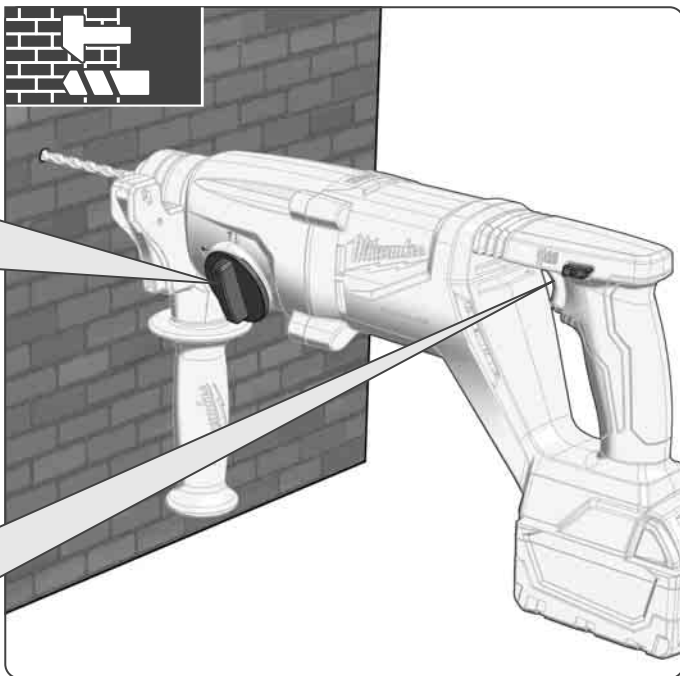
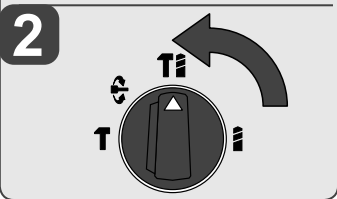
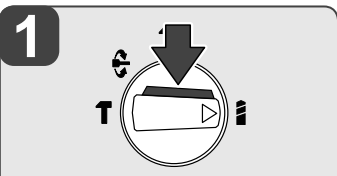
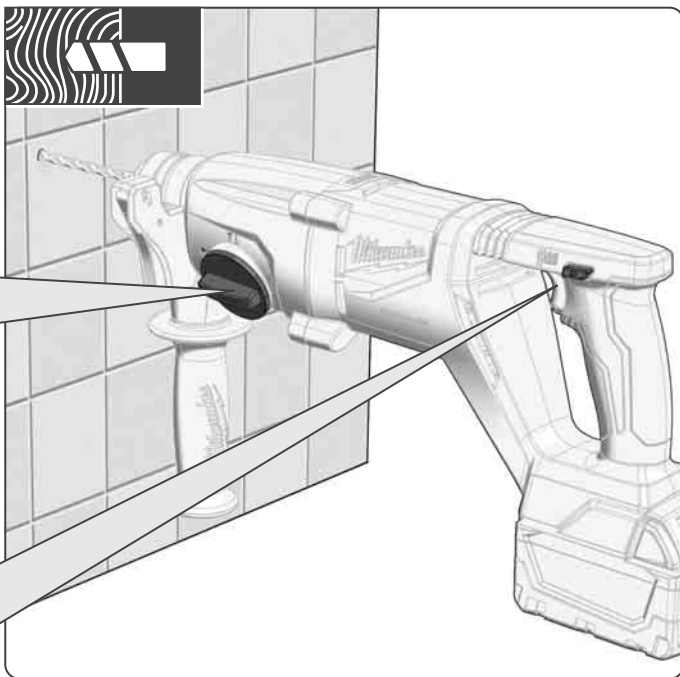
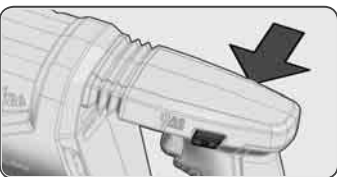
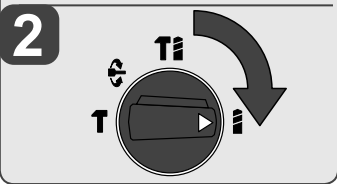
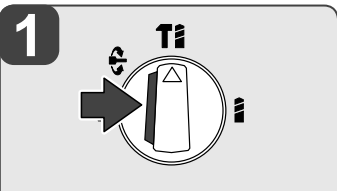


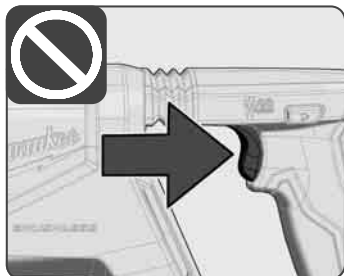
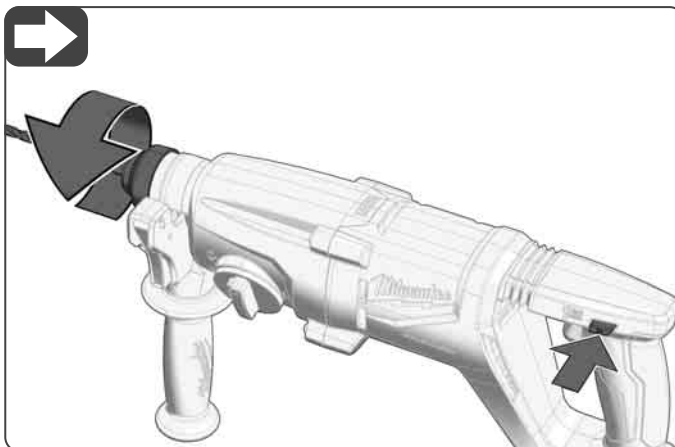
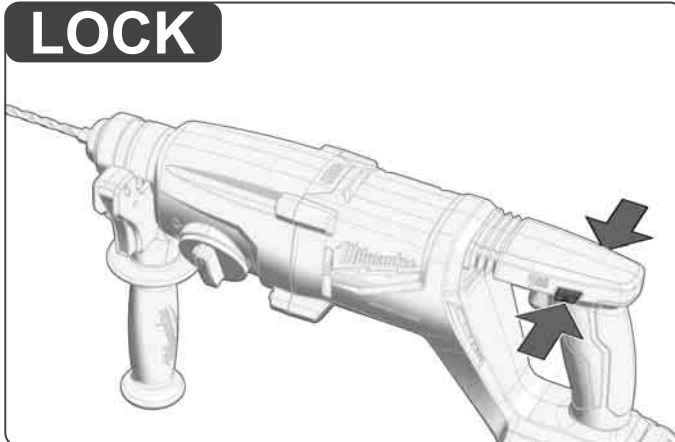
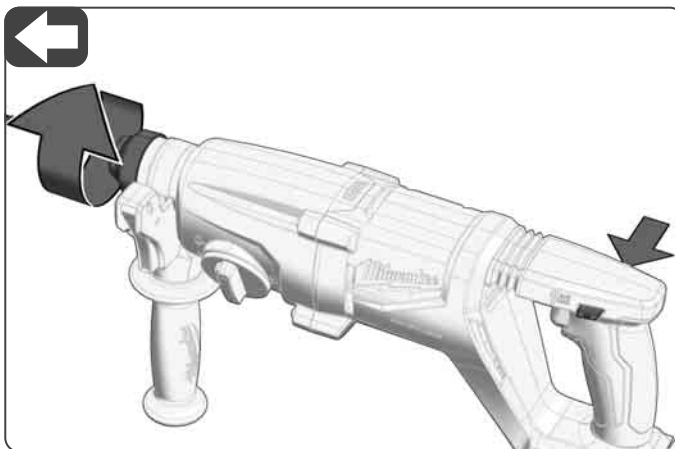
Insulated gripping surface
 Isolierte Grifffläche
 Surface de prise isolée
 Superficie di presa isolata
 Superficie de agarre con aislamiento
 Superfície de pega isolada
 Geïsoleerde handgrepen
 Isolerede gribeflader
 Isolert gripeflate
 Isolerad greppyta
 Eristetty tarttumapinta
 Μονωμένη επιφάνεια λαβής

İzolasyonlu tutma yüzeyi
 Izolovaná uchopovací plocha
 Izolovaná úchopná plocha
 Izolowana powierzchnia uchwytu
 Szigetelt fogófelület
 Izolirana prijemalna površina
 Izolirana površina za držanje
 Izolėta satveršanas virsma
 Izoliuotas rankenos paviršius
 Isoleeritud pideme piirkond
 Изолированная поверхность ручки
 Изолирана повърхност за хващане

Suprafață de prindere izolată
 Изолирана површина на дршката
 Изольована поверхня ручки

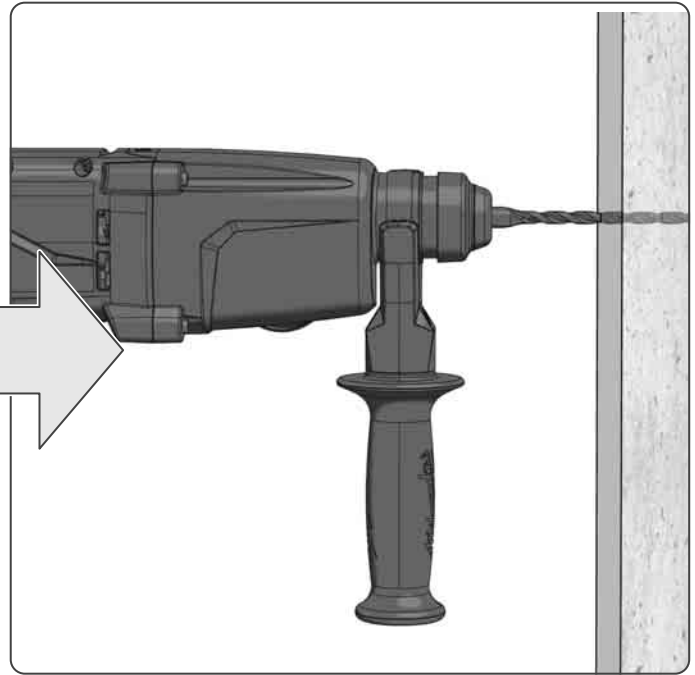
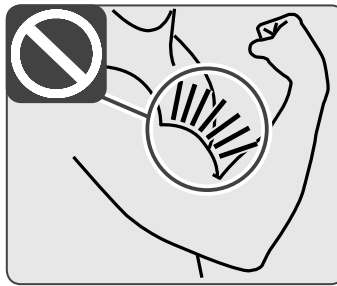
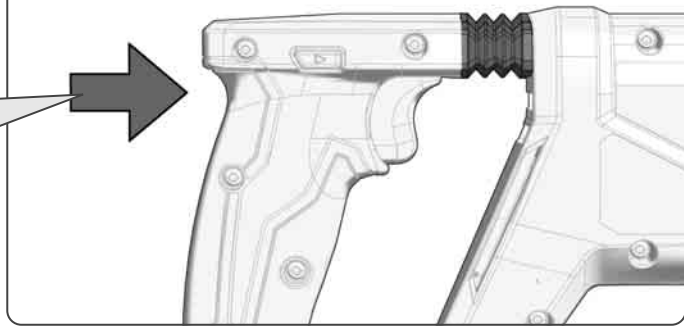
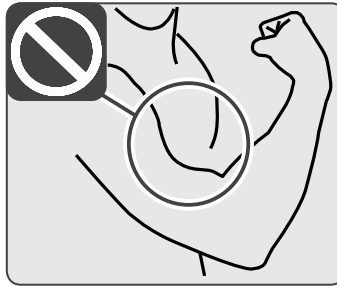
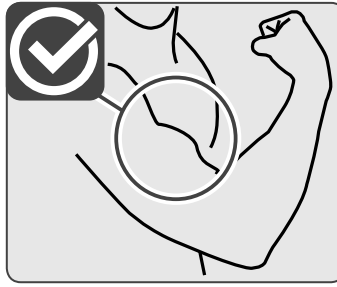
مساحة المقبض معزولة





Only operate the forward or reverse switch until the the machine comes to a complete stop.
 Den Umschalter für Rechts- oder Linkslauf nur im Stillstand der Maschine betätigen.
 N'actionnez le commutateur pour la rotation dans le sens horaire ou dans le sens inverse que lorsque la machine est à l'arrêt.
 Azionare il commutatore per la rotazione in senso orario o antiorario solo quando la macchina è ferma.
 Accionar el conmutador para marcha a la derecha o a la izquierda solo cuando la máquina esté parada.
 Só atue o comutador para a operação no sentido horário ou anti-horário durante a parada da máquina.
 De omschakelaar voor rechts- of linksloop mag alleen bij stilstand van de machine worden bediend.
 Omskifteren til højre/venstre-rotation må kun bruges, når maskinen er stoppet helt.
 Betjen vendebryteren for højre- eller venstreløb bare mens maskinen befinder seg i stillstand.
 Påverka omkopplaren för vänster- eller högergång endast när maskinen står stilla.
 Toimenna pyörintäsuunnan vaihtokytkin oikealle tai vasemmalle vain koneen ollessa pysähdyksissä.
 Να χειρίζεστε το διακόπτη επιλογής αριστερόστροφης ή δεξιόστροφης περιστροφής μόνο όταν βρίσκεται το μηχάνημα σε πλήρη ακινησία.
 Sağa veya sola dönme şalterini sadece makine durduğunda kullanın.
 S přepínačem pravotočivého nebo levotočivého chodu manipulujte pouze tehdy, když je zařízení zastaveno.
 S prepínačom pravotočivého alebo ľavotočivého chodu manipulujte iba vtedy, keď je zariadenie zastavené.
 Przełącznik lewych i prawych obrotów należy uruchamiać jedynie wówczas, gdy maszyna jest zatrzymana.
 A jobb vagy bal forgásirány átkapcsolóját csak akkor működtesse, ha a gép áll.
 Preklopnik za vrtenje v desno ali levo obračajte le, ko naprava miruje.
 Preklopnik za rad udesno ili ulijevo aktivirati samo u stanju mirovanja stroja.
 Slēdzi virzienu maiņai pa labi vai pa kreisi drīkst pārslēgt tikai tad, kad ierīces darbība ir pārtraukta un tā ir pilnībā apstājusies.
 Sukimosi į dešinę arba kairę perjungiklį spauskite tik įrangai neveikiant.
 Ümber lülitada paremasse või vasakusse suunda võite ainult masina seisaku ajal.
 Переключатель правого/левого вращения нажимать, только когда устройство остановлено.
 Задействуйте превключателя за десен и ляв ход само при спряна машина.
 Acționați comutatorul inversor pentru mersul spre stânga sau mersul spre dreapta numai când mașina este oprită.
 Активирайте го прекинувачот за лево или десно само додека машината е во мирување.
 Щоб уникнути пошкодження пристрою, користуватися перемикачем на праве або ліве обертання слід тільки після повної зупинки.

استخدم زر تحويل الدوران إلى اليمين أو اليسار في حالة السكون التام للماكينة فقط.



TECHNICAL DATA	M18 BLHACD26
Type	Cordless Rotary Hammer
Production code	4919 77 01 XXXXXX MJJJJ
Battery voltage	18 V ---
Single impact energy	2,6 J
No-load speed	0-1270 min ⁻¹
Rate of percussion under load	0-4600 min ⁻¹
Chuck neck diameter	43 mm
Drilling capacity in concrete	26 mm
Drilling capacity in steel	13 mm
Drilling capacity in wood	28 mm
Light core cutter in bricks and limestone	65 mm
Weight according EPTA-Procedure 01/2014 (2.0 Ah ... 12.0 Ah)	2,8 kg ... 3,9 kg
Recommended ambient operating temperature	-18...+50 °C
Recommended battery types	M18 B...; M18 HB...
Recommended charger	M12-18...; M18 DFC; M1418 C6

Noise Information:

Measured values determined according to EN 62841.

Typically, the A-weighted noise levels of the tool are:

Sound pressure level / Uncertainty K

93,5 dB(A) / 3 dB(A)

Sound power level / Uncertainty K

104,5 dB(A) / 3 dB(A)

Wear ear protectors.

Vibration Information: Total vibration values (vector sum in the three axes) determined according to EN 62841.

Vibration emission value a_v / Uncertainty K

Hammer-drilling in concrete (a_{h,HD})

13,9 m/s² / 1,5 m/s²

Chiselling (a_{h,Chis})

13,2 m/s² / 1,5m/s²

⚠ WARNING!

The vibration and noise emission level given in this information sheet has been measured in accordance with a standardized test given in EN 62841 and may be used to compare one tool with another. It may be used for a preliminary assessment of exposure.

The declared vibration emission level represents the main applications of the tool. However if the tool is used for different applications, with different accessories or poorly maintained, the vibration emission may differ. This may significantly increase the exposure level over the total working period.

An estimation of the level of exposure to vibration should also take into account the times when the tool is switched off or when it is running but not actually doing the job. This may significantly reduce the exposure level over the total working period.

Identify additional safety measures to protect the operator from the effects of vibration and/or noise such as: maintain the tool and the accessories, keep the hands warm, organization of work patterns.

⚠ WARNING Read all safety warnings, instructions, illustrations and specifications provided with this power tool.

Failure to follow all instructions listed below may result in electric shock, fire and/or serious injury.

Save all warnings and instructions for future reference.

HAMMER SAFETY WARNINGS

Safety instructions for all operations

Wear ear protectors. Exposure to noise can cause hearing loss.

Use auxiliary handle(s), if supplied with the tool. Loss of control can cause personal injury.

Hold the power tool by insulated gripping surfaces, when performing an operation where the cutting accessory may contact hidden wiring.

Cutting accessory contacting a live wire may make exposed metal parts of the power tool live and could give the operator an electric shock.

Safety instructions when using long drill bits with rotary hammer

Always start drilling at low speed and with the bit tip in contact with the workpiece. At higher speeds, the bit is likely to bend if allowed to rotate freely without contacting the workpiece, resulting the personal injury.

Apply pressure only in direct line with the bit and do not apply excessive pressure. Bits can bend causing breakage or loss of control, resulting in personal injury.

ADDITIONAL SAFETY AND WORKING INSTRUCTIONS

Use personal protective equipment. Always wear eye protection. Protective equipment such as a dust mask, non-skid safety shoes, hard hat or hearing protection used for appropriate conditions will reduce personal injuries.

The dust produced when using this tool may be harmful to health. Do not inhale the dust. Wear a suitable dust protection mask.

Do not machine any materials that present a danger to health (e.g. asbestos).

Switch the device off immediately if the insertion tool stalls! Do not switch the device on again while the insertion tool is stalled, as doing so could trigger a sudden recoil with a high reactive force. Determine why the insertion tool stalled and rectify this, paying heed to the safety instructions.

The possible causes may be:

- it is tilted in the workpiece to be machined
- it has pierced through the material to be machined
- the power tool is overloaded

Do not reach into the machine while it is running.

The insertion tool is sharp-edged and can become hot during use.

WARNING! Danger of cuts and burns

- when handling the insertion tools
- when setting the device down.

Wear protective gloves when handling insertion tools.

Chips and splinters must not be removed while the machine is running.

When working in walls ceiling, or floor, take care to avoid electric cables and gas or waterpipes.

Clamp your workpiece with a clamping device. Unclamped workpieces can cause severe injury and damage.

Remove the battery pack before starting any work on the machine.

Do not dispose of used battery packs in the household refuse or by burning them. Milwaukee Distributors offer to retrieve old batteries to protect our environment.

Do not store the battery pack together with metal objects (short circuit risk).

Use only System M18 chargers for charging System M18 battery packs. Do not use battery packs from other systems.

Never break open battery packs and chargers and store only in dry rooms. Keep dry at all times.

Battery acid may leak from damaged batteries under extreme load or extreme temperatures. In case of contact with battery acid wash it off immediately with soap and water. In case of eye contact rinse thoroughly for at least 10 minutes and immediately seek medical attention.

Warning! To reduce the risk of fire, personal injury, and product damage due to a short circuit, never immerse your tool, battery pack or charger in fluid or allow a fluid to flow inside them. Corrosive or conductive fluids, such as seawater, certain industrial chemicals, and bleach or bleach containing products, etc., can cause a short circuit.

SPECIFIED CONDITIONS OF USE

The battery rotary pneumatic hammer may be used for hammer drilling and drilling in wood, metal as well as plastic for independent use away from mains supply.

Do not use this product in any other way as stated for normal use.

RESIDUAL RISK

Even when the product is used as prescribed, it is still impossible to completely eliminate certain residual risk factors. The following hazards may arise in use and the operator should pay special attention to avoid the following:

- Injury caused by vibration.
Hold the product by designated handles and restrict working time and exposure.
- Exposure to noise can cause hearing injury.
Wear ear protection and limit exposure.
- Injury due to flying debris
Wear eye protection, heavy long trousers and substantial footwear at all times.
- Inhalation of toxic dusts.

NOTES FOR LI-ION BATTERIES

Use of Li-ion batteries

Battery packs which have not been used for some time should be recharged before use.

Temperatures in excess of 50°C (122°F) reduce the performance of the battery pack. Avoid extended exposure to heat or sunshine (risk of overheating).

The contacts of chargers and battery packs must be kept clean.

For an optimum life-time, the battery packs have to be fully charged, after used.

To obtain the longest possible battery life remove the battery pack from the charger once it is fully charged.

For battery pack storage longer than 30 days:

Store the battery pack where the temperature is below 27°C and away from moisture

Store the battery packs in a 30% - 50% charged condition

Every six months of storage, charge the pack as normal.

Battery protection for Li-Ion batteries

In extremely high torque, binding, stalling and short circuit situations that cause high current draw, the tool will vibrate for about 5 seconds, the fuel gauge will flash, and then the tool will turn OFF. To reset, release the trigger.

Under extreme circumstances, the internal temperature of the battery pack could raise too much. If this happens, the fuel gauge will flash until the battery pack cooled down. After the lights go off, the work may continue.

Transport of Lithium Batteries

Lithium-ion batteries are subject to the Dangerous Goods Legislation requirements.

Transportation of those batteries has to be done in accordance with local, national and international provisions and regulations.

- The user can transport the batteries by road without further requirements.
- Commercial transport of Lithium-Ion batteries by third parties is subject to Dangerous Goods regulations. Transport preparation and transport are exclusively to be carried out by appropriately trained persons and the process has to be accompanied by corresponding experts.

When transporting batteries:

- Ensure that battery contact terminals are protected and insulated to prevent short circuit.
- Ensure that battery pack is secured against movement within packaging.
- Do not transport batteries that are cracked or leak.

Check with forwarding company for further advice

WORKING INSTRUCTIONS

Do not force too much when drilling or hammering. Let the rotary hammer do the work for you.

WORK WHEN IT'S COLD

If the tool is stored for a long period of time or at cold temperatures, the lubrication may become stiff and the tool may not working initially or the working may be weak. If this happens:

1. Insert a bit or chisel into the tool.
2. Run the tool against a scrap piece of concrete.
3. Pull and release the trigger every few seconds.

After 15 seconds to 2 minutes, the tool will start hammering normally. The colder the tool is, the longer it will take to warm up.

CLEANING

The ventilation slots of the machine must be kept clear at all times.










MAINTENANCE

Important note! If the carbon brushes are worn, in addition to exchanging the brushes the tool should be sent to after-sales service. This will ensure long service life and top performance.

Use only Milwaukee accessories and Milwaukee spare parts. Should components need to be replaced which have not been described, please contact one of our Milwaukee service agents (see our list of guarantee/service addresses).

If needed, an exploded view of the tool can be ordered. Please state the machine type printed as well as the six-digit No. on the label and order the drawing at your local service agents or directly at: Technonic Industries GmbH, Max-Eyth-Straße 10, 71364 Winnenden, Germany.

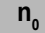






SYMBOLS

	Please read the instructions carefully before starting the machine.
	CAUTION! WARNING! DANGER!
	Remove the battery pack before starting any work on the machine.
	Always wear goggles when using the machine.
	Wear ear protectors!
	Wear a suitable dust protection mask.
	Wear gloves!
	The anti-vibration system reduces machine vibrations on the handle.
	Accessory - Not included in standard equipment, available as an accessory.



Do not dispose of waste batteries, waste electrical and electronic equipment as unsorted municipal waste. Waste batteries and waste electrical and electronic equipment must be collected separately. Waste batteries, waste accumulators and light sources have to be removed from equipment. Check with your local authority or retailer for recycling advice and collection point. According to local regulations retailers may have an obligation to take back waste batteries and Waste electrical and electronic equipment free of charge. Your contribution to re-use and recycling of waste batteries and waste electrical and electronic equipment helps to reduce the demand of raw materials. Waste batteries, in particular containing lithium and waste Electrical and electronic equipment contain valuable, recyclable materials, which can adversely impact the environment and the human health, if not disposed of in an environmentally compatible manner.

Delete personal data from waste equipment, if any.

	No-load speed
	Voltage
	Direct Current
	European Conformity Mark
	British Conformity Mark
	Ukraine Conformity Mark
	EurAsian Conformity Mark

TECHNISCHE DATEN

M18 BLHACD26	
Bauart	Akku-Bohrhammer
Produktionsnummer	4919 77 01 XXXXXX MJJJJ
Spannung Wechselakku	18 V ---
Einzel Schlagenergie	2,6 J
Leerlaufdrehzahl	0-1270 min ⁻¹
Lastschlagzahl	0-4600 min ⁻¹
Spannhals-ø	43 mm
Bohr-ø in Beton	26 mm
Bohr-ø in Stahl	13 mm
Bohr-ø in Holz	28 mm
Leichtbohrkrone in Ziegel und Kalksandstein	65 mm
Gewicht nach EPTA-Prozedur 01/2014 (2,0 Ah ... 12,0 Ah)	2,8 kg ... 3,9 kg
Empfohlene Umgebungstemperatur beim Arbeiten	-18...+50 °C
Empfohlene Akkutypen	M18 B...; M18 HB...
Empfohlene Ladegeräte	M12-18...; M18 DFC; M1418 C6
Geräuschinformation: Messwerte ermittelt entsprechend EN 62841. Der A-bewertete Geräuschpegel des Gerätes beträgt typischerweise: Schalldruckpegel / Unsicherheit K 93,5 dB(A) / 3 dB(A) Schalleistungspegel / Unsicherheit K 104,5 dB(A) / 3 dB(A) Tragen Sie Gehörschutz.	
Vibrationsinformationen: Schwingungsgesamtwerte (Vektorsumme dreier Richtungen) ermittelt entsprechend EN 62841. Schwingungsemissionswert a _v / Unsicherheit K Hammerbohren in Beton (a _{h,HD}) 13,9 m/s ² / 1,5 m/s ² Meißeln (a _{n,Cheg}) 13,2 m/s ² / 1,5m/s ²	

⚠️ WARNUNG!

Die angegebenen Schwingungsgesamtwerte und Geräuschemissionswerte wurden nach einem genormten Messverfahren gemäß EN 62841 gemessen und können für den Vergleich von Elektrowerkzeugen miteinander verwendet werden. Es kann für eine vorläufige Einschätzung der Belastung verwendet werden.

Der angegebene Schwingungspegel repräsentiert die hauptsächlichsten Anwendungen des Elektrowerkzeugs. Wenn allerdings das Elektrowerkzeug für andere Anwendungen, mit abweichenden Einsatzwerkzeugen oder ungenügender Wartung eingesetzt wird, kann der Schwingungspegel abweichen. Dies kann die Schwingungsbelastung über den gesamten Arbeitszeitraum deutlich erhöhen.

Für eine genaue Abschätzung der Schwingungsbelastung sollten auch die Zeiten berücksichtigt werden, in denen das Gerät abgeschaltet ist oder zwar läuft, aber nicht tatsächlich im Einsatz ist. Dies kann die Schwingungsbelastung über den gesamten Arbeitszeitraum deutlich reduzieren.

Legen Sie zusätzliche Sicherheitsmaßnahmen zum Schutz des Bedieners vor den Auswirkungen von Schwingungen- und / oder Lärm fest, wie z. B.: Wartung des Werkzeugs und des Zubehörs, Warmhalten der Hände, Organisation der Arbeitsabläufe

⚠️ WARNUNG! Lesen Sie alle Sicherheitshinweise, Anweisungen, Darstellungen und Spezifikationen für dieses Elektrowerkzeug. Versäumnisse bei der Einhaltung der nachstehenden Anweisungen können elektrischen Schlag, Brand und/oder schwere Verletzungen verursachen.
Bewahren Sie alle Sicherheitshinweise und Anweisungen für die Zukunft auf.

SICHERHEITSHINWEISE FÜR HÄMMER

Sicherheitshinweise für alle Arbeiten

Tragen Sie Gehörschutz. Die Einwirkung von Lärm kann Gehörverlust bewirken.

Benutzen Sie die Zusatzhandgriffe, wenn diese mit dem Gerät mitgeliefert werden. Der Verlust der Kontrolle kann zu Verletzungen führen.

Halten Sie das Elektrowerkzeug an den isolierten Griffflächen, wenn Sie Arbeiten ausführen, bei denen das Einsatzwerkzeug verborgene Stromleitungen treffen kann. Der Kontakt mit einer spannungsführenden Leitung kann metallene Geräteteile unter Spannung setzen und zu einem elektrischen Schlag führen.

Sicherheitshinweise für die Verwendung des Bohrhammers mit langen Bohrern

Starten Sie immer mit einer niedrigen Drehzahl und während sich der Bohreinsatz in Kontakt mit dem Werkstück befindet. Bei höheren Drehzahlen kann sich der Bohreinsatz verbiegen, wenn er ohne Kontakt zum Werkstück dreht, was zu Verletzungen führen kann.

Üben Sie Druck immer nur in direkter Ausrichtung zum Bohreinsatz aus und drücken Sie nicht zu fest. Bohreinsätze können verbiegen und brechen oder zu einem Verlust der Kontrolle über das Gerät führen, wodurch es wiederum zu Verletzungen kommen kann.

WEITERE SICHERHEITS- UND ARBEITSHINWEISE

Tragen Sie persönliche Schutzausrüstung. Tragen Sie stets eine Schutzbrille. Das Tragen der jeweils passenden Schutzausrüstung, wie Staubschutzmaske, rutschfestes Schuhwerk, Schutzhelm oder Gehörschutz, verringert das Verletzungsrisiko.

Beim Arbeiten entstehender Staub ist oft gesundheitsschädlich und sollte nicht in den Körper gelangen. Geeignete Staubschutzmaske tragen.

Es dürfen keine Materialien bearbeitet werden, von denen eine

Gesundheitsgefährdung ausgeht (z.B. Asbest).

Beim Blockieren des Einsatzwerkzeuges bitte das Gerät sofort ausschalten! Schalten Sie das Gerät nicht wieder ein, solange das Einsatzwerkzeug blockiert ist; hierbei könnte ein Rückschlag mit hohem Reaktionsmoment entstehen. Ermitteln und beheben Sie die Ursache für die Blockierung des Einsatzwerkzeuges unter Berücksichtigung der Sicherheitshinweise.

Mögliche Ursachen dafür können sein:

- Verkanten im zu bearbeitenden Werkstück
- Durchbrechen des zu bearbeitenden Materials
- Überlasten des Elektrowerkzeuges

Greifen Sie nicht in die laufende Maschine.

Das Einsatzwerkzeug ist scharfkantig und kann während der Anwendung heiß werden.

WARNUNG! Schnitt- und Verbrennungsgefahr
– bei Handhabung der Einsatzwerkzeuge
– beim Ablegen des Geräts.

Bei der Handhabung der Einsatzwerkzeuge Schutzhandschuhe tragen.

Späne oder Splitter dürfen bei laufender Maschine nicht entfernt werden.

Beim Arbeiten in Wand, Decke oder Fußboden auf elektrische Kabel, Gas- und Wasserleitungen achten.

Sichern Sie Ihr Werkstück mit einer Spannvorrichtung. Nicht gesicherte Werkstücke können schwere Verletzungen und Beschädigungen verursachen.

Vor allen Arbeiten an der Maschine den Wechselakku herausnehmen

Verbrauchte Wechselakkus nicht ins Feuer oder in den Hausmüll werfen. Milwaukee bietet eine umweltgerechte Alt-Wechselakku-Entsorgung an; bitte fragen Sie Ihren Fachhändler.

Wechselakkus nicht zusammen mit Metallgegenständen aufbewahren (Kurzschlussgefahr).

Wechselakkus des Systems M18 nur mit Ladegeräten des Systems M18 laden. Keine Akkus aus anderen Systemen laden.

Wechselakkus und Ladegeräte nicht öffnen und nur in trockenen Räumen lagern. Vor Nässe schützen.

Unter extremer Belastung oder extremer Temperatur kann aus beschädigten Wechselakkus Batterieflüssigkeit auslaufen. Bei Berührung mit Batterieflüssigkeit sofort mit Wasser und Seife abwaschen. Bei Augenkontakt sofort mindestens 10 Minuten gründlich spülen und unverzüglich einen Arzt aufsuchen.

Warnung! Um die durch einen Kurzschluss verursachte Gefahr eines Brandes, von Verletzungen oder Produktbeschädigungen zu vermeiden, tauchen Sie das Werkzeug, den Wechselakku oder das Ladegerät nicht in Flüssigkeiten ein und sorgen Sie dafür, dass keine Flüssigkeiten in die Geräte und Akkus eindringen. Korrodierende oder leitfähige Flüssigkeiten, wie Salzwasser, bestimmte Chemikalien und Bleichmittel oder Produkte, die Bleichmittel enthalten, können einen Kurzschluss verursachen.

BESTIMMUNGSGEMÄSSE VERWENDUNG

Der Akkubohrhammer ist universell einsetzbar zum Hammerbohren in Gestein und zum Bohren in Holz, Metall und Kunststoff unabhängig von einem Netzanschluss.

Dieses Gerät darf nur wie angegeben bestimmungsgemäß verwendet werden.

RESTRIKTIKEN

Auch bei ordnungsgemäßer Verwendung können nicht alle Restriktionen ausgeschlossen werden. Beim Gebrauch können folgende Gefahren entstehen, auf die der Bediener besonders achten sollte:

- Durch Vibration verursachte Verletzungen. Halten Sie das Gerät an den dafür vorgesehenen Griffen und begrenzen Sie die Arbeits- und Expositionszeit.
- Lärmbelastung kann zu Gehörschädigungen führen. Tragen Sie einen Gehörschutz und schränken Sie die Expositionsdauer ein.
- Durch Schmutzpartikel verursachte Augenverletzungen. Tragen Sie immer eine Schutzbrille, feste lange Hosen und festes Schuhwerk.
- Einatmen von giftigen Stäuben.

HINWEISE FÜR LI-ION-AKKUS

Gebrauch von Li-Ion-Akkus

Längere Zeit nicht benutzte Akkus vor Gebrauch nachladen.

Eine Temperatur über 50°C vermindert die Leistung des Akkus. Längere Erwärmung durch Sonne oder Heizung vermeiden.

Die Anschlusskontakte an Ladegerät und Akku sauber halten.

Für eine optimale Lebensdauer müssen nach dem Gebrauch die Akkus voll geladen werden.

Für eine möglichst lange Lebensdauer sollten die Akkus nach dem Aufladen aus dem Ladegerät entfernt werden.

Bei Lagerung des Akkus länger als 30 Tage:

Akku bei ca. 27°C und trocken lagern.

Akku bei ca. 30%-50% des Ladezustandes lagern.

Akku alle 6 Monate erneut aufladen.

Akkuüberlastschutz bei Li-Ion-Akkus

Bei Überlastung des Akkus durch sehr hohen Stromverbrauch, z.B. extrem hohe Drehmomente, Verklemmen des Bohrers, plötzlichem Stopp oder Kurzschluss, vibriert das Elektrowerkzeug 5 Sekunden lang, die Ladeanzeige blinkt und das Elektrowerkzeug schaltet sich selbstständig ab.

Zum Wiedereinschalten, den Schalterdrücker loslassen und dann wieder einschalten.

Unter extremen Belastungen erhitzt sich der Akku zu stark. In diesem Fall blinken alle Lampen der Ladeanzeige bis der Akku abgekühlt ist. Nach Erlöschen der Ladeanzeige kann weitergearbeitet werden.

Transport von Li-Ion-Akkus

Lithium-Ionen-Akkus fallen unter die gesetzlichen Bestimmungen zum Gefahrguttransport.

Der Transport dieser Akkus muss unter Einhaltung der lokalen, nationalen und internationalen Vorschriften und Bestimmungen erfolgen.

- Verbraucher dürfen diese Akkus ohne Weiteres auf der Straße transportieren.
- Der kommerzielle Transport von Lithium-Ionen-Akkus durch Speditionsunternehmen unterliegt den Bestimmungen des Gefahrguttransports. Die Versandvorbereitungen und der Transport dürfen ausschließlich von entsprechend geschulten Personen durchgeführt werden. Der gesamte Prozess muss fachmännisch begleitet werden.

Folgende Punkte sind beim Transport von Akkus zu beachten:

- Stellen Sie sicher, dass die Kontakte geschützt und isoliert sind, um Kurzschlüsse zu vermeiden.
- Achten Sie darauf, dass der Akkupack innerhalb der Verpackung nicht verrutschen kann.
- Beschädigte oder auslaufende Akkus dürfen nicht transportiert werden.

Wenden Sie sich für weitere Hinweise an Ihr Speditionsunternehmen.

ARBEITSHINWEISE

Beim Bohren oder Hämmern nicht zu viel Kraft aufwenden. Lassen Sie den Bohrerhammer für sich arbeiten.

ARBEITEN BEI KÄLTE

Wenn die Maschine über einen längeren Zeitraum oder bei niedrigen Temperaturen gelagert wird, kann die Schmierung zäh werden und es kann sein, dass die Maschine anfänglich nicht arbeitet oder die Leistung zu gering ist. Wenn das passiert:

1. Setzen Sie einen Bohrer oder Meißel in die Maschine ein.
2. Setzen Sie die Maschine auf ein Reststück Beton.
3. Betätigen Sie den Schalterdrücker alle paar Sekunden und lassen Sie ihn wieder los.

Nach 15 Sekunden bis 2 Minuten beginnt die Maschine normal zu hämmern. Je kälter die Maschine ist, desto länger dauert das Aufwärmen.

REINIGUNG

Stets die Lüftungsslitze der Maschine sauber halten.

WARTUNG



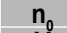






Bei abgenutzten Kohlebürsten sollte zusätzlich zum Kohlebürstenwechsel ein Kundendienst in einer Servicewerkstatt durchgeführt werden. Dies erhöht die Lebensdauer der Maschine und garantiert eine ständige Betriebsbereitschaft.

Nur Milwaukee Zubehör und Milwaukee Ersatzteile verwenden. Bauteile, deren Austausch nicht beschrieben wurde, bei einer Milwaukee Kundendienststelle auswechseln lassen (Broschüre Garantie/Kundendienstadressen beachten).

Bei Bedarf kann eine Explosionszeichnung des Gerätes unter Angabe der Maschinen Type und der sechsstelligen Nummer auf dem Leistungsschild bei Ihrer Kundendienststelle oder direkt bei Techtronic Industries GmbH, Max-Eyth-Straße 10, 71364 Winnenden, Germany angefordert werden.

SYMBOLE

	Bitte lesen Sie die Gebrauchsanweisung vor Inbetriebnahme sorgfältig durch.
	ACHTUNG! WARNUNG! GEFAHR!
	Vor allen Arbeiten an der Maschine den Wechselakku herausnehmen
	Beim Arbeiten mit der Maschine stets Schutzbrille tragen.
	Gehörschutz tragen!
	Geeignete Staubschutzmaske tragen.
	Schutzhandschuhe tragen!
	Das Antivibrationssystem verringert Vibrationen der Maschine am Handgriff.

	Zubehör - Im Lieferumfang nicht enthalten, empfohlene Ergänzung aus dem Zubehörprogramm.
	Altbatterien, Elektro- und Elektronik-Altgeräte dürfen nicht zusammen mit dem Hausmüll entsorgt werden. Altbatterien, Elektro- und Elektronik-Altgeräte sind getrennt zu sammeln und zu entsorgen. Entfernen Sie Altbatterien, Altkumulatoren und Leuchtmittel vor dem Entsorgen aus den Geräten. Erkundigen Sie sich bei den örtlichen Behörden oder bei Ihrem Fachhändler nach Recyclinghöfen und Sammelstellen. Je nach den örtlichen Bestimmungen können Einzelhändler verpflichtet sein, Altbatterien, Elektro- und Elektronik-Altgeräte kostenlos zurückzunehmen. Tragen Sie durch Wiederverwendung und Recycling Ihrer Altbatterien, Elektro- und Elektronik-Altgeräte dazu bei, den Bedarf an Rohmaterialien zu verringern. Altbatterien (vor allem Lithium-Ionen-Batterien), Elektro- und Elektronik-Altgeräte enthalten wertvolle, wiederverwertbare Materialien, die bei nicht umweltgerechter Entsorgung negative Auswirkungen auf die Umwelt und Ihre Gesundheit haben können. Löschen Sie vor der Entsorgung möglicherweise auf Ihrem Altgerät vorhandene personenbezogene Daten.
	Leerlaufdrehzahl
	Spannung
	Gleichstrom
	Europäisches Konformitätszeichen
	Britisches Konformitätszeichen
	Ukrainisches Konformitätszeichen
	Euroasiatisches Konformitätszeichen

CARACTÉRISTIQUES TECHNIQUES	M18 BLHACD26
Type	Perforateur sans fil
Numéro de série	4919 77 01 XXXXXX MJJJJ
Tension accu interchangeable	18 V ---
Energie de frappe individuelle	2,6 J
Vitesse de rotation à vide	0-1270 min ⁻¹
Perçage à percussion charge	0-4600 min ⁻¹
∅ du collier de serrage	43 mm
∅ de perçage dans le béton	26 mm
∅ de perçage dans acier	13 mm
∅ de perçage dans bois	28 mm
Couronne dentée à percussion pour briques et briques silico-calcaires	65 mm
Poids suivant EPTA-Procédure 01/2014 (2,0 Ah ... 12,0 Ah)	2,8 kg ... 3,9 kg
Température conseillée lors du travail	-18...+50 °C
Batteries conseillées	M18 B...; M18 HB...
Chargeurs de batteries conseillés	M12-18...; M18 DFC; M1418 C6

Informations sur le bruit: Valeurs de mesure obtenues conformément à la EN 62841.

Les mesures réelles (des niveaux acoustiques de l'appareil sont :

Niveau de pression acoustique / Incertitude K

93,5 dB(A) / 3 dB(A)

Niveau d'intensité acoustique / Incertitude K

104,5 dB(A) / 3 dB(A)

Portez une protection acoustique.

Informations sur les vibrations: Valeurs totales des vibrations (somme vectorielle de trois sens) établies conformément à EN 62841.

Valeur d'émission vibratoire a_v / Incertitude K

Perçage à percussion le béton (a_{n,HD})

13,9 m/s² / 1,5 m/s²

Burinage (a_{n,Cheg})

13,2 m/s² / 1,5m/s²

⚠ AVERTISSEMENT!

Le niveau de vibration et d'émissions sonores indiqué dans cette fiche de données a été mesuré en respect d'une méthode standard de test selon la norme EN 62841 et peut être utilisé pour comparer les outils entre eux. Il peut être utilisé pour évaluation préliminaire de l'exposition.

Le niveau vibratoire indiqué représente les applications principales de l'outil électrique. Toutefois, si l'outil électrique est utilisé pour d'autres applications, avec des outils rapportés qui diffèrent ou une maintenance insuffisante, il se peut que le niveau vibratoire diverge. Cela peut augmenter nettement la sollicitation par les vibrations sur tout l'intervalle de temps du travail.

Pour une estimation précise de la sollicitation par les vibrations, on devrait également tenir compte des temps pendant lesquels l'appareil n'est pas en marche ou tourne sans être réellement en service. Cela peut réduire nettement la sollicitation par les vibrations sur tout l'intervalle de temps du travail.

Identifier des mesures de sécurité supplémentaires pour protéger l'opérateur des effets des vibrations et/ou du bruit tels que : l'entretien de l'outil et des accessoires, le maintien au chaud des mains, l'organisation des processus de travail.

⚠ AVERTISSEMENT! Lire tous les avertissements de sécurité, les instructions opérationnelles, les illustrations et les spécifications fournies avec cet outil électrique. La non observance des instructions mentionnées ci-dessous peut causer des chocs électriques, des incendies ou de graves blessures. **Conserver tous les avertissements et toutes les instructions pour pouvoir s'y reporter ultérieurement.**

CONSIGNES DE SÉCURITÉ POUR MARTEAU ROTATIF

Consignes de sécurité à suivre pour tous les types d'applications

Portez une protection acoustique. L'influence du bruit peut provoquer la surdité.

Utilisez les poignées supplémentaires livrées en même temps que l'appareil. La perte de contrôle peut mener à des blessures.

Tenir l'outil électrique par des surfaces de préhension isolées pendant toute opération au cours de laquelle l'accessoire de coupe peut entrer en contact avec des fils dissimulés. Des accessoires de coupe entrant en contact avec un fil actif peuvent rendre actives des parties métalliques accessibles de l'outil électrique et provoquer un choc électrique chez l'opérateur.

Consignes de sécurité pour l'utilisation du marteau perforateur avec des forêts longs

Commencez toujours à percer avec une vitesse faible lorsque le forêt se trouve en contact avec la pièce à usiner. Si la vitesse est plus élevée, le forêt peut se tordre s'il tourne sans être en contact avec la pièce à usiner, ce qui peut entraîner des blessures.

Exercez toujours une pression importante dans l'orientation directe du forêt. N'appuyez pas trop fort. Les forêts peuvent se tordre et se rompre ou entraîner une perte de contrôle de l'appareil, ce qui peut entraîner des blessures.

AVIS COMPLÉMENTAIRES DE SÉCURITÉ ET DE TRAVAIL

Portez un équipement de protection individuelle. Portez toujours des lunettes de protection. Porter un équipement de protection adapté, tel qu'un masque antipoussière, des chaussures antidérapantes, un casque de protection ou une protections auditive, permet de réduire le risque de blessure.

Les poussières qui sont dégagées pendant les travaux sont souvent nocives pour la santé et ne devraient pas pénétrer dans le corps. Porter un masque de protection approprié contre les poussières.

Il est interdit de travailler des matériaux dangereux pour la santé (par ex. amiante).

Désactiver immédiatement le dispositif en cas de blocage ! Ne pas réactiver le dispositif avec l'outil bloqué; il y a le risque de provoquer un contrecoup avec moment de réaction élevé. Établir

et éliminer la cause du blocage de l'outil en prêtant attention aux consignes de sécurité.

Les causes possibles sont :

- Encastrement dans la pièce à travailler.
- Le dispositif a traversé le matériau à travailler en le cassant.
- Le dispositif électrique a été surchargé.

Ne pas approcher les mains de la partie en mouvement de la machine.

L'outil d'insertion présente des arêtes vives et peut devenir chaud pendant son utilisation.

AVERTISSEMENT ! Risque de coupures et de brûlures

- lors de la manipulation des outils d'insertion

- lors de la pose de l'appareil.

Lors de la manipulation des outils d'insertion, portez des gants de protection.

Ne jamais enlever les copeaux ni les éclats lorsque la machine est en marche.

Lors du perçage dans les murs, les plafonds ou les planchers, toujours faire attention aux câbles électriques et aux conduites de gaz et d'eau.

Fixer fermement la pièce en exécution à l'aide d'un dispositif de serrage. Des pièce en exécution non fermement fixées peuvent provoquer des dommages et des lésions graves.

Avant tous travaux sur la machine retirer l'accu interchangeable.

Ne pas jeter les accu interchangeables usés au feu ou avec les déchets ménagers. Milwaukee offre un système d'évacuation écologique des accus usés.

Ne pas conserver les accu interchangeables avec des objets métalliques (risque de court-circuit)

Ne charger les accu interchangeables du système M18 qu'avec le chargeur d'accus du système M18. Ne pas charger des accu d'autres systèmes.

Ne pas ouvrir les accu interchangeables et les chargeurs et ne les stocker que dans des locaux secs. Les protéger contre l'humidité.

En cas de conditions ou températures extrêmes, du liquide caustique peut s'échapper d'un accu interchangeable endommagé. En cas de contact avec le liquide caustique de la batterie, laver immédiatement avec de l'eau et du savon. En cas de contact avec les yeux, rincer soigneusement avec de l'eau et consulter immédiatement un médecin.

Avertissement! Pour réduire le risque d'incendie, de blessures corporelles et de dommages causés par un court-circuit, ne jamais immerger l'outil, le bloc-piles ou le chargeur dans un liquide ou laisser couler un fluide à l'intérieur de celui-ci. Les fluides corrosifs ou conducteurs, tels que l'eau de mer, certains produits chim-iques industriels, les produits de blanchiment ou de blanchiment, etc., peuvent provoquer un court-circuit.

UTILISATION CONFORME AUX PRESCRIPTIONS

Le marteau-perforateur à accu est conçu pour un travail universel de perçage à percussion dans la maçonnerie, ainsi que pour le perçage du bois, du métal et des matières plastiques.

Comme déjà indiqué, cette machine n'est conçue que pour être utilisée conformément aux prescriptions.

RISQUES RÉSIDUELS

Même en cas d'utilisation correcte, il n'est pas possible d'exclure tous les risques résiduels. Lors de l'utilisation, les risques suivants pourront être présents et l'utilisateur devra prêter une attention particulière en vue de les éviter :

- Blessures causées par les vibrations. Tenir le dispositif à l'aide de ses poignées et limiter les temps de travail et d'exposition.
- L'exposition au bruit peut causer des dommages auditifs. Porter une protection auditive et limiter la durée de l'exposition.
- Lésions oculaires causées par des particules de déchets. Portez toujours des lunettes de protection, un pantalon long et des chaussures robustes.
- Inhalation de gaz toxiques.

REMARQUE CONCERNANT LES ACCUS LI-ION

Utilisation d'accus Li-Ion

Recharger les accus avant utilisation après une longue période de non utilisation.

Une température supérieure à 50°C amoindrit la capacité des accus. Éviter les expositions prolongées au soleil ou au chauffage.

Maintenez les contacts de raccord dans un parfait état de propreté sur le chargeur et l'accu.

Pour une durée de vie optimale, les accus doivent être chargés à fond après l'utilisation.

Pour une plus longue durée de vie, enlevez les accus du chargeur quand celles-ci sont chargées.

En cas d'entreposage de la batterie pour plus de 30 jours: Entreposer la batterie à 27°C environ dans un endroit sec. Entreposer la batterie avec une charge d'environ 30% - 50%. Recharger la batterie tous les 6 mois.

Protection des accus Li-Ion

En cas d'une surcharge de l'accu à cause d'une très haute consommation de courant, par exemple suite à des couples extrêmement élevés, un coincement du forêt, un arrêt soudain ou un court-circuit, l'outil électrique vibre pendant 5 secondes, l'indicateur de charge clignote et l'outil électrique se déconnecte automatiquement.

Pour le ré-enclencher, relâcher le poussoir de l'interrupteur, puis enclencher à nouveau l'appareil.

Sous des sollicitations extrêmes, l'accu s'échauffe trop fortement. Dans ce cas, tous les témoins de l'indicateur de charge clignotent jusqu'à ce que l'accu se soit refroidi. Il est possible de continuer à travailler dès que l'indicateur de charge s'est éteint.

Transport des accus Li-Ion

Les batteries lithium-ion sont soumises aux dispositions législatives concernant le transport de produits dangereux.

Le transport de ces batteries devra s'effectuer dans le respect des dispositions et des normes locales, nationales et internationales.

- Les utilisateurs peuvent transporter ces batteries sans restrictions.
- Le transport commercial de batteries lithium-ion est réglé par les dispositions concernant le transport de produits dangereux. La préparation au transport et le transport devront être effectués uniquement par du personnel formé de façon adéquate. Tout le procédé devra être géré d'une manière professionnelle.

Durant le transport de batteries il faut respecter les consignes suivantes :

- S'assurer que les contacts soient protégés et isolés en vue d'éviter des courts-circuits.
- S'assurer que le groupe de batteries ne puisse pas se déplacer à l'intérieur de son emballage.
- Des batteries endommagées ou des batteries perdant du liquide ne devront pas être transportées.

Pour tout renseignement complémentaire veuillez vous adresser à votre transporteur professionnel.

CONSIGNES DE TRAVAIL

N'exercez pas une force excessive lors du perçage ou du martelage. Laissez le marteau perforateur travailler pour vous.

TRAVAILLER EN MILIEU FROID

Travailler dans des conditions de froid

Si la machine est stockée pendant une longue période ou à basse température, la lubrification peut devenir difficile et il est possible que la machine ne fonctionne pas au départ ou que le rendement soit trop faible. Si tel est le cas :

1. Insérez un foret ou un ciseau dans la machine.
2. Placez la machine sur un morceau de béton restant.
3. Appuyez et relâchez la gâchette toutes les quelques secondes.

Après une période allant de 15 secondes à 2 minutes, la machine commence à marteler normalement. Plus la machine est froide, plus il lui faudra de temps pour se réchauffer.

NETTOYAGE

Tenir toujours propres les orifices de ventilation de la machine.

ENTRETIEN

Attention! Lorsque les balais (charbons) sont usés, il est recommandé de faire effectuer, outre le changement des balais (charbons), une inspection dans une station de service après-vente. Ceci augmente la durée de vie de la machine et garantit un fonctionnement permanent de la machine.

Utiliser uniquement les accessoires Milwaukee et les pièces détachées Milwaukee. Faire remplacer les composants dont le remplacement n'a pas été décrit, par un des centres de service après-vente Milwaukee (observer la brochure avec les adresses de garantie et de service après-vente).

En cas de besoin il est possible de demander un dessin éclaté du dispositif en indiquant le modèle de la machine et le numéro de six chiffres imprimé sur la plaquette de puissance et en s'adressant au centre d'assistance technique ou directement à Techtronic Industries GmbH, Max-Eyth-Straße 10, 71364 Winnenden, Germany.

SYMBOLES

	Veillez lire avec soin le mode d'emploi avant la mise en service
	ATTENTION! AVERTISSEMENT! DANGER!
	Avant tous travaux sur la machine retirer l'accu interchangeable.
	Toujours porter des lunettes protectrices en travaillant avec la machine.
	Toujours porter une protection acoustique!
	Porter un masque de protection approprié contre les poussières.
	Porter des gants de protection!
	Le système anti-vibration réduit les vibrations de la machine au niveau de la poignée.
	Accessoires - Ces pièces ne font pas partie de la livraison. Il s'agit là de compléments recommandés pour votre machine et énumérés dans le catalogue des accessoires.



Les déchets de piles et les déchets d'équipements électriques et électroniques (déchets d'équipements électriques et électroniques) ne sont pas à éliminer dans les déchets ménagers. Les déchets de piles et les déchets d'équipements électriques et électroniques doivent être collectés et éliminer séparément.

Retirez les déchets de piles, les déchets d'accumulateurs et les ampoules des appareils avant de les jeter.

S'adresser aux autorités locales ou au détaillant spécialisé en vue de connaître l'emplacement des centres de recyclage et des points de collecte.

Selon les réglementations locales, les détaillants peuvent être tenus de reprendre gratuitement les déchets de piles et les déchets d'équipements électriques et électroniques.

Contribuez à réduire la demande de matières premières en réutilisant et en recyclant vos déchets de piles et d'équipements électriques et électroniques.

Les déchets de piles (surtout les piles au lithium-ion) et les déchets d'équipements électriques et électroniques comportent des matériaux précieux et recyclables qui peuvent avoir des impacts négatifs sur l'environnement et sur votre santé s'ils ne sont pas éliminés de manière écologique.

Avant de mettre au rebut votre ancien appareil, supprimez les données personnelles qui pourraient s'y trouver.



	Nombre de tours à vide
	Voltage
	Courant continu
	Marque de conformité européenne
	Marque de conformité britannique
	Marque de conformité ukrainienne
	Marque de conformité d'Eurasie

DATI TECNICI

	M18 BLHACD26
Tipo di costruzione	Tassellatore a batteria
Numero di serie	4919 77 01 XXXXXX MJJJJ
Tensione batteria	18 V ---
Energia percussione unica	2,6 J
Numero di giri a vuoto	0-1270 min ⁻¹
Percussione a pieno carico	0-4600 min ⁻¹
Ø collarino di fissaggio	43 mm
Ø Foratura in calcestruzzo	26 mm
Ø Foratura in acciaio	13 mm
Ø Foratura in legno	28 mm
Corona a forare nel mattone e nell'arenaria calcarea	65 mm
Peso secondo la procedura EPTA 01/2014 (2,0 Ah ... 12,0 Ah)	2,8 kg ... 3,9 kg
Temperatura consigliata durante il lavoro	-18...+50 °C
Batterie consigliate	M18 B...; M18 HB...
Caricatori consigliati	M12-18...; M18 DFC; M1418 C6

Informazioni sulla rumorosità: Valori misurati conformemente alla norma EN 62841.

La misurazione A del livello di pressione acustica dell'utensile è di solito di:

Livello di rumorosità / Incertezza della misura K	93,5 dB(A) / 3 dB(A)
Potenza della rumorosità / Incertezza della misura K	104,5 dB(A) / 3 dB(A)

Indossare protezioni acustiche adeguate.

Informazioni sulle vibrazioni: Valori totali delle oscillazioni (somma di vettori in tre direzioni) misurati conformemente alla norma EN 62841.

Valore di emissione dell'oscillazione $a_{h,HD}$ / Incertezza della misura K

Forare in calcestruzzo ($a_{h,HD}$)	13,9 m/s ² / 1,5 m/s ²
Scalpellare ($a_{h,Cheg}$)	13,2 m/s ² / 1,5m/s ²

AVVERTENZA!

Il/i valore/i di emissione acustica riportato/i in questa scheda informativa sono stati misurati conformemente a un metodo di prova standard sulla base della norma EN 62841 e possono essere utilizzati per confrontare gli utensili tra loro. Può/possono essere utilizzato/i anche per una valutazione preliminare dell'esposizione.

Il livello di vibrazioni indicato rappresenta le applicazioni principali dell'attrezzo elettrico. Se viceversa si utilizza l'attrezzo elettrico per altri scopi, con accessori differenti o con una manutenzione insufficiente, il livello di vibrazioni può risultare diverso. E questo può aumentare decisamente la sollecitazione da vibrazioni lungo l'intero periodo di lavorazione.

Ai fini di una valutazione precisa della sollecitazione da vibrazioni si dovrebbero tenere presente anche i periodi in cui l'apparecchio rimane spento oppure, anche se acceso, non viene effettivamente utilizzato. Ciò può ridurre notevolmente la sollecitazione da vibrazioni lungo l'intero periodo di lavorazione.

Identificare le misure di sicurezza supplementari per proteggere l'operatore dagli effetti delle vibrazioni e/o del rumore, ad esempio eseguendo la manutenzione dell'utensile e degli accessori, mantenendo le mani calde e organizzando gli schemi di lavoro.

AVVERTENZA! Leggere tutte le avvertenze di sicurezza, istruzioni operative, illustrazioni e specifiche fornite con questo elettro utensile. Il mancato rispetto delle istruzioni di seguito riportate può causare scosse elettriche, incendi e/o lesioni gravi. **Conservare tutte le avvertenze di pericolo e le istruzioni operative per ogni esigenza futura.**

NORME DI SICUREZZA PER MARTELLO PERFORATORE

Istruzioni di sicurezza per tutte le operazioni

Indossare protezioni acustiche adeguate. L'esposizione prolungata al rumore senza protezione può causare danni all'udito.

Utilizzare l'utensile con la sua impugnatura supplementare. La perdita di controllo potrebbe causare danneggiamenti all'utilizzatore.

Impugnare l'apparecchio sulle superfici di tenuta isolate mentre si eseguono lavori durante i quali l'utensile da taglio potrebbe entrare in contatto con cavi di corrente.

L'eventuale contatto dell'utensile da taglio con un cavo sotto tensione potrebbe mettere sotto tensione le parti metalliche dell'apparecchio e provocare una folgorazione.

Istruzioni di sicurezza per l'uso del trapano a percussione con punte lunghe

Iniziare sempre con un numero di giri basso e con la punta in contatto con il pezzo in lavorazione. Lavorando con un numero di giri superiore, la punta potrebbe piegarsi quando gira senza contatto con il pezzo in lavorazione e potrebbe causare lesioni.

Esercitare pressione soltanto nella stessa direzione della punta e non premere troppo. Le punte potrebbero piegarsi e rompersi o potrebbero causare la perdita di controllo sul dispositivo, il che a sua volta potrebbe causare lesioni.

ULTERIORI AVVISI DI SICUREZZA E DI LAVORO

Indossare i dispositivi di protezione individuale. Indossare sempre occhiali di protezione. Indossare i dispositivi di protezione appropriati, come maschere antipolvere, calzature antiscivolo, elmetti o protezioni per l'udito, riduce il rischio di lesioni.

La polvere che si produce durante il lavoro è spesso dannosa per la salute e non dovrebbe essere aspirata. Portare un'adeguata mascherina protettiva.

E' vietato lavorare materiali che possono costituire pericoli alla salute (ad es. amianto).

Spegnere immediatamente il dispositivo in caso di bloccaggio! Non riaccendere il dispositivo fino a quando l'utensile ad inserto resta

bloccato; esiste il rischio di causare un contraccolpo con elevato momento di reazione. Rilevare ed eliminare la causa del bloccaggio dell'utensile ad inserto tenendo conto delle indicazioni di sicurezza.

Le possibili cause sono:

- Incastro nel pezzo in lavorazione
- Il dispositivo ha attraversato il materiale da lavorare rompendolo
- Il dispositivo elettrico è stato sovraccaricato

Non avvicinare le mani alla parte della macchina in movimento.

L'utensile ad inserto ha spigoli vivi e può surriscaldarsi durante l'uso.

AVVERTENZA! Pericolo di tagli e bruciature – quando si maneggiano gli utensili ad inserto – durante il deposito dell'utensile.

Indossare guanti protettivi quando si maneggiano gli utensili ad inserto.

Non rimuovere trucioli o schegge mentre l'utensile è in funzione.

Forando pareti, soffitti o pavimenti, si faccia attenzione ai cavi elettrici e alle condutture dell'acqua e del gas.

Fissare in sicurezza il pezzo in lavorazione con un dispositivo di serraggio. Pezzi in lavorazione che non siano fissati in sicurezza possono causare gravi lesioni e danni.

Prima di iniziare togliere la batteria dalla macchina.

Non gettare le batterie esaurite sul fuoco o nella spazzatura di casa. La Milwaukee offre infatti un servizio di recupero batterie usate.

Nel vano d'innesto per la batteria del caricatore non devono entrare parti metalliche (pericolo di cortocircuito).

Le batterie del System M18 sono ricaricabili esclusivamente con i caricatori del System M18. Le batterie di altri sistemi non possono essere ricaricate.

Non aprire né la batteria né il caricatore e conservarli solo in luogo asciutto. Proteggerli dalla umidità.

Nel caso di batterie danneggiate da un carico eccessivo o da temperature alte, l'acido di queste potrebbe fuoriuscire. In caso di contatto con l'acido delle batterie lavarsi immediatamente con acqua e sapone. In caso di contatto con gli occhi risciacquare immediatamente con acqua per almeno 10 minuti e contattare subito un medico.

Attenzione! Per ridurre il rischio d'incendio, di lesioni o di danni al prodotto causati da corto circuito, non immergere mai l'utensile, la batteria ricaricabile o il carica batterie in un liquido e non lasciare mai penetrare alcun liquido all'interno dei dispositivi e delle batterie. I fluidi corrosivi o conduttori come acqua salata, alcuni agenti chimici, agenti candeggianti o prodotti contenenti agenti candeggianti potrebbero provocare un corto circuito.

UTILIZZO CONFORME

Il martello perforatore Accu è utilizzabile universalmente per forare a percussione e per forare legno, metallo e materiali sintetici.

Utilizzare il prodotto solo per l'uso per cui è previsto.

RISCHI RESIDUI

Anche in caso di utilizzo corretto non è possibile escludere tutti i rischi residui. Durante l'uso possono esistere i seguenti pericoli e l'utilizzatore deve porre particolare attenzione per evitarli:

- Lesioni causate da vibrazioni. Tenere il dispositivo sulle apposite impugnature e limitare i tempi di lavoro e di esposizione.
- L'esposizione al rumore può causare danni all'udito. Indossare una protezione per l'udito e limitare la durata dell'esposizione.
- Lesioni agli occhi causate da particelle di detriti. Indossare sempre occhiali di protezione, pantaloni lunghi pesanti e scarpe robuste.
- Inalazione di polveri tossiche.

NOTE PER BATTERIE AGLI IONI DI LITIO

Uso di batterie agli ioni di litio

Batterie non utilizzate per molto tempo devono essere ricaricate prima dell'uso.

A temperature superiori ai 50°C, la potenza della batteria si riduce. Evitare il riscaldamento prolungato dal sole o il riscaldamento.

Tenere puliti i contatti di connessione sul caricatore e sulla batteria.

Per una ottimale vita utile è necessario ricaricare completamente le batterie dopo l'uso.

Per una più lunga durata, rimuovere le batterie dal caricabatterie quando saranno cariche.

In caso di immagazzinaggio della batteria per più di 30 giorni: Immagazzinare la batteria a circa 27°C in ambiente asciutto. Immagazzinare la batteria con carica di circa il 30% - 50%. Ricaricare la batteria ogni 6 mesi.

Protezione contro il sovraccarico di batterie agli ioni di litio

In caso di sovraccarico dell'accumulatore dovuto ad un consumo molto elevato di corrente, ad es. momenti di coppia estremamente elevati, bloccaggio della punta del trapano, arresto improvviso o corto circuito, l'utensile elettrico vibra per 5 secondi, il display di carica lampeggia e l'elettrotensile si spegne automaticamente. Per riaccenderlo rilasciare l'interruttore e poi riaccenderlo. Se sottoposto a sollecitazioni estreme l'accumulatore si riscalda eccessivamente. In questo caso lampeggiano tutte le spie del display di carica finché l'accumulatore non è raffreddato. Quando il display di carica si spegne si può continuare a lavorare.

Trasporto di batterie agli ioni di litio

Le batterie agli ioni di litio sono soggette alle disposizioni di legge sul trasporto di merce pericolosa.

Il trasporto di queste batterie deve avvenire rispettando le disposizioni e norme locali, nazionali ed internazionali.

- Gli utilizzatori possono trasportare queste batterie su strada senza alcuna restrizione.
- Il trasporto commerciale di batterie agli ioni di litio è regolato dalle disposizioni sul trasporto di merce pericolosa. Le preparazioni al trasporto ed il trasporto stesso devono essere svolti esclusivamente da persone idoneamente istruite. Tutto il processo deve essere gestito in maniera professionale.

Durante il trasporto di batterie occorre tenere conto di quanto segue:

- Assicurarsi che i contatti siano protetti ed isolati per evitare corto circuiti.
- Accertarsi che il gruppo di batterie non possa spostarsi all'interno dell'imballaggio.
- Batterie danneggiate o batterie che perdono liquido non devono essere trasportate.

Per ulteriori informazioni si prega di contattare il proprio trasportatore.

ISTRUZIONI DI LAVORO

Non usare troppa forza quando si fora o si martella. Lasciare lavorare il trapano a percussione.

LAVORARE AL FREDDO

Se il dispositivo viene immagazzinato per un lungo periodo di tempo o se viene conservato a basse temperature, la lubrificazione può diventare viscosa e può verificarsi che il dispositivo inizialmente non riesca a lavorare o che le sue prestazioni non siano soddisfacenti. In questi casi:

1. Inserire una punta o uno scalpello nel dispositivo.
2. Posizionare il dispositivo su un pezzo di cemento residuo.
3. Premere e rilasciare l'interruttore a pulsante ripetutamente con pochi secondi di intervallo.

Dopo un periodo da 15 secondi a 2 minuti il dispositivo inizia a lavorare normalmente. Più freddo è il dispositivo, più tempo sarà necessario per riscaldarlo.

PULIZIA

Tener sempre ben pulite le fessure di ventilazione dell'apparecchio.

MANUTENZIONE

Informazione importante! Nel caso che il carboncino si sia consumato oltre il limite di sostituzione è necessario portare l'apparecchio ad un centro di assistenza, onde garantire la massima affidabilità ed efficienza dello stesso.

Usare solo accessori Milwaukee e pezzi di ricambio Milwaukee. Gruppi costruttivi la cui sostituzione non è stata descritta, devono essere fatti cambiare da un punto di servizio di assistenza tecnica al cliente Milwaukee (vedi depliant garanzia/indirizzi assistenza tecnica ai clienti).

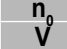






In caso di necessità è possibile richiedere un disegno esploso del dispositivo indicando il modello della macchina ed il numero a sei cifre sulla targa di potenza rivolgendosi al centro di assistenza tecnica o direttamente a Techtronic Industries GmbH, Max-Eyth-Straße 10, 71364 Winnenden, Germany.

SIMBOLI

	Leggere attentamente le istruzioni per l'uso prima di mettere in funzione l'elettrotensile.
	ATTENZIONE! AVVERTENZA! PERICOLO!
	Prima di iniziare togliere la batteria dalla macchina.
	Durante l'uso dell'apparecchio utilizzare sempre gli occhiali di protezione.
	Utilizzare le protezioni per l'udito!
	Portare un'adeguata mascherina protettiva.
	Indossare guanti protettivi!
	Il sistema antivibrazioni riduce le vibrazioni della macchina all'impugnatura.
	Accessorio - Non incluso nella dotazione standard, disponibile a parte come accessorio.



I rifiuti di pile e i rifiuti di apparecchiature elettriche ed elettroniche non devono essere smaltiti insieme ai rifiuti domestici. I rifiuti di pile e di apparecchiature elettriche ed elettroniche devono essere raccolti e smaltiti separatamente. Rimuovere i rifiuti di pile e di accumulatori nonché le sorgenti luminose dalle apparecchiature prima di smaltirle. Chiedere alle autorità locali o al rivenditore specializzato dove si trovano i centri di riciclaggio e i punti di raccolta. A seconda dei regolamenti locali, i rivenditori al dettaglio possono essere obbligati a ritirare gratuitamente i rifiuti di pile e i rifiuti di apparecchiature elettriche ed elettroniche. Aiutate a ridurre il fabbisogno di materie prime riutilizzando e riciclando i propri rifiuti di pile e di apparecchiature elettriche ed elettroniche. I rifiuti di pile (specialmente di pile agli ioni di litio) e i rifiuti di apparecchiature elettriche ed elettroniche contengono materiali preziosi e riciclabili che possono avere un impatto negativo sull'ambiente e sulla vostra salute se non vengono smaltiti in modo ecologico. Cancellare tutti i dati personali che potrebbero essere presenti sul vostro rifiuto di apparecchiatura prima di procedere allo smaltimento.

	Numero di giri a vuoto
	Voltaggio
	Corrente continua
	Marchio di conformità europeo
	Marchio di conformità britannico
	Marchio di conformità ucraino
	Marchio di conformità euroasiatico

DATOS TÉCNICOS		M18 BLHACD26
Tipo de construcción	Martillo Rotativo a Batería	
Número de producción	4919 77 01 XXXXX MJJJ	
Voltaje de batería	18 V ---	
Fuerza de impacto individual	2,6 J	
Velocidad en vacío	0-1270 min ⁻¹	
Frecuencia de impactos bajo carga	0-4600 min ⁻¹	
Diámetro de cuello de amarre	43 mm	
Diámetro de taladrado en hormigón	26 mm	
Diámetro de taladrado en acero	13 mm	
Diámetro de taladrado en madera	28 mm	
Diámetro de broca de corona ligera en mampostería/ ladrillo	65 mm	
Peso de acuerdo con el procedimiento EPTA 01/2014 (2,0 Ah ... 12,0 Ah)	2,8 kg ... 3,9 kg	
Temperatura ambiente recomendada durante el trabajo	-18...+50 °C	
Tipos de acumulador recomendados	M18 B...; M18 HB...	
Cargadores recomendados	M12-18...; M18 DFC; M1418 C6	
Información sobre ruidos: Determinación de los valores de medición según norma EN 62841.		
El nivel de ruido típico del aparato determinado con un filtro A corresponde a:		
Presión acústica / Tolerancia K	93,5 dB(A) / 3 dB(A)	
Resonancia acústica / Tolerancia K	104,5 dB(A) / 3 dB(A)	
¡Utilice protección auditiva!		
Informaciones sobre vibraciones: Nivel total de vibraciones (suma vectorial de tres direcciones) determinado según EN 62841.		
Valor de vibraciones generadas a _n / Tolerancia K		
Taladrar en hormigón (a _{h,HD})	13,9 m/s ² / 1,5 m/s ²	
Cincelar (a _{h,Cheg})	13,2 m/s ² / 1,5m/s ²	

⚠️ ADVERTENCIA!

El nivel de emisión de ruido y vibración indicado en esta hoja informativa se ha medido de acuerdo con una prueba estandarizada que figura en EN 62841 y se puede usar para comparar una herramienta con otra. Puede ser empleado para una evaluación preliminar de la exposición.

El nivel vibratorio indicado representa las aplicaciones principales de la herramienta eléctrica. Si, pese a ello, se utiliza la herramienta eléctrica para otras aplicaciones, con útiles adaptables diferentes o con un mantenimiento insuficiente, el nivel vibratorio puede diferir. Esto puede incrementar sensiblemente la carga de vibración durante todo el periodo de trabajo.

Para una estimación exacta de la carga de vibración deberían tenerse en cuenta también los tiempos durante los que el aparato está apagado o, pese a estar en funcionamiento, no está siendo realmente utilizado. Esto puede reducir sustancialmente la carga de vibración durante todo el periodo de trabajo.

Identifique medidas de seguridad adicionales para proteger al operador de los efectos de la vibración o el ruido, como realizar mantenimiento de la herramienta y los accesorios, mantener las manos calientes y organizar las pautas de trabajo.

⚠️ ADVERTENCIA: Lea todas las advertencias de peligro, instrucciones, ilustraciones y especificaciones suministradas con esta herramienta eléctrica. En caso de no atenderse a las instrucciones siguientes, ello puede ocasionar una descarga eléctrica, un incendio y/o lesión grave. **Guardar todas las advertencias de peligro e instrucciones para futuras consultas.**

INSTRUCCIONES DE SEGURIDAD PARA MARTILLO PERFORADOR

Instrucciones de seguridad para todas las operaciones

¡Utilice protección auditiva! La exposición a niveles de ruido excesivos puede causar pérdida de audición

¡Utilice las empuñaduras auxiliares suministradas con la herramienta! La pérdida de control de la herramienta puede causar accidentes

Sujete el aparato de las superficies aisladas de agarre al efectuar trabajos en los cuales la perforadora de percusión pueda entrar en contacto con conductores de corriente ocultos. El contacto de la perforadora de percusión con un conductor con energía aplicada también podrá poner bajo tensión partes metálicas del aparato y causar un choque eléctrico.

Indicaciones de seguridad para el uso del taladro de percusión con brocas largas

Comience siempre con una velocidad de giro baja y siempre que la broca de taladro esté en contacto con la pieza de trabajo. A velocidades de giro más elevadas, la broca de taladro se puede doblar cuando esta taladra sin tener contacto con la pieza de trabajo, lo cual puede provocar lesiones.

Ejercer siempre presión solo si lo hace en línea directa respecto de la broca de taladro y no apriete demasiado fuertemente. Las brocas de taladro pueden doblarse y romperse o provocar la pérdida de control del aparato, lo cual a su vez puede ocasionar lesiones.

INSTRUCCIONES ADICIONALES DE SEGURIDAD Y LABORALES

Utilice un equipo de protección personal. Utilice siempre gafas de seguridad. Se consigue una disminución del riesgo de lesiones cuando se utiliza el equipo de protección adecuado en cada caso, como una máscara de protección contra el polvo, calzado de suela antideslizante, un casco protector o una protección auditiva.

El polvo que se produce durante estos trabajos puede ser nocivo a la salud; es por ello aconsejable que no penetre al cuerpo. Utilice por ello una máscara protectora contra polvo.

No se deben trabajar materiales que conlleven un riesgo para la

salud (por ej. amianto).

¡En caso de que se bloquee el útil, el aparato se debe desconectar inmediatamente! No vuelva a conectar el aparato, mientras el útil esté bloqueado; se podría producir un rechazo debido a la reacción de retroceso brusca. Averigüe y elimine la causa del bloqueo del útil, teniendo en cuenta las indicaciones de seguridad.

Causas posibles para ello pueden ser:

- Atascamiento o bloqueo en la pieza de trabajo
- Rotura del material con el que está trabajando
- Sobrecarga de la herramienta eléctrica

No introduzca las manos en la máquina mientras ésta se encuentra en funcionamiento.

La herramienta intercambiable tiene bordes afilados y se puede calentar durante su uso.

¡ADVERTENCIA! Riesgo de cortes y quemaduras

- al manipular las herramientas intercambiables
- al deponer el aparato.

Llevar guantes de protección al manipular las herramientas intercambiables.

Nunca se debe intentar limpiar el polvo o viruta procedente del taladrado con la máquina en funcionamiento.

Para trabajar en paredes, techo o suelo, tenga cuidado para evitar los cables eléctricos y tuberías de gas o agua.

Fije la pieza de trabajo con un dispositivo de fijación. Las piezas de trabajo no fijadas pueden causar lesiones graves y deterioros.

Retire la batería antes de comenzar cualquier trabajo en la máquina.

No tire las baterías usadas a la basura ni al fuego. Los Distribuidores Milwaukee ofrecen un servicio de recogida de baterías antiguas para proteger el medio ambiente.

No almacene la batería con objetos metálicos (riesgo de cortocircuito).

Recargar solamente los acumuladores del Sistema M18 en cargadores M18. No intentar recargar acumuladores de otros sistemas.

No abra nunca las baterías ni los cargadores y guárdelos sólo en lugares secos. Protéjalos de la humedad en todo momento.

En caso de sobrecarga o alta temperatura, pueden llegar a producirse escapes de ácido provenientes de la batería. En caso de contacto con éste, limpie inmediatamente la zona con agua y jabón. Si el contacto es en los ojos, límpiese concienzudamente con agua durante 10 minutos y acuda inmediatamente a un médico

Advertencia! Para reducir el riesgo de incendio, lesión personales y daños al producto debido a un cortocircuito, no sumerja nunca la herramienta, el paquete de baterías o el cargador en líquido ni permita que fluya un fluido dentro de ellos. Los fluidos corrosivos o conductivos, como el agua de mar, ciertos productos químicos industriales y blanqueadores o lejías que contienen, etc., pueden causar un cortocircuito.

APLICACIÓN DE ACUERDO A LA FINALIDAD

El martillo electroneumático por acumulador se puede usar universalmente para taladrado a percusión, así como para taladrar madera, metal y plástico.

No utilice este producto para ninguna otra aplicación que no sea su uso normal.

RIESGOS RESIDUALES

Incluso en caso de un uso correcto, no es posible excluir por completo la existencia de riesgos residuales. Durante el uso de la máquina se pueden producir los siguientes riesgos a tener en cuenta especialmente por el operador de la misma.

- Lesiones provocadas por efecto de la vibración. Sujete el dispositivo utilizando las empuñaduras previstas para ello y limite el tiempo de trabajo y de exposición a riesgos.
- La contaminación acústica puede provocar lesiones auditivas. Lleve una protección auditiva y limite el tiempo de exposición a riesgos.

- Lesiones oculares producidas por partículas de suciedad. Lleve siempre gafas protectoras, pantalones resistentes y largos y calzado resistente.
- Inhalación de polvos tóxicos.

INDICACIONES PARA BATERÍAS DE IONES DE LITIO

Uso de baterías de iones de litio

Las baterías no utilizadas durante cierto tiempo deben ser recargadas antes de usar.

Las temperaturas superiores a 50°C reducen el rendimiento de la batería. Evite una exposición excesiva a fuentes de calor o al sol (riesgo de sobrecalentamiento).

Los puntos de contacto del cargador y de la batería recargable se deben mantener limpios.

Para un tiempo óptimo de vida, deberán cargarse las baterías completamente después de su uso.

Para garantizar la máxima capacidad y vida útil, las baterías recargables se deberían retirar del cargador una vez finalizada la carga.

En caso de almacenar la batería recargable más de 30 días: Almacenar la batería recargable en un lugar seco a una temperatura de aproximadamente 27°C.

Almacenar la batería recargable con un estado de carga del 30% y 50% aproximadamente.

Recargar la batería cada 6 meses.

Protección de sobrecarga de baterías en baterías de iones de litio

En caso de sobrecarga de la batería a causa de un consumo de corriente demasiado elevado, por ejemplo, en momentos de torsión extremadamente altos, atasco de la broca, de una parada o cortocircuito repentinos; el aparato eléctrico vibra durante 5 segundos, el indicador de carga parpadea y el aparato eléctrico se desconecta automáticamente.

Para conectarlo de nuevo, soltar el botón de encendido y después conectarlo otra vez.

Bajo cargas extremas la batería se calienta demasiado. En este caso, todas las luces del indicador de carga parpadean hasta que la batería se enfría. Cuando se apaga el indicador de carga se puede trabajar de nuevo.

Transporte de baterías de iones de litio

Las baterías de iones de litio caen bajo las disposiciones legales relativas al transporte de mercancías peligrosas.

El transporte de estas baterías recargables debe llevarse a cabo, observando las normas y disposiciones locales, nacionales e internacionales.

- Los consumidores pueden transportar estas baterías recargables sin el menor reparo en la calle.
- El transporte comercial de baterías recargables de iones de litio por empresas de transportes está sometido a las disposiciones del transporte de mercancías peligrosas. Las preparaciones para el envío y el transporte deben ser llevados a cabo exclusivamente por personas instruidas adecuadamente. El proceso completo debe ser supervisado por personal competente.

Los siguientes puntos se deben observar para el transporte de las baterías recargables:

- Se debe asegurar que los contactos estén protegidos y aislados para evitar que se produzcan cortocircuitos.
- Preste atención a que el conjunto de baterías recargables no se pueda desplazar dentro del envase.
- Las baterías recargables deterioradas o derramadas no se deben transportar.

Rogamos que para cualquier información adicional se dirija a su empresa de transportes.

INDICACIONES PARA EL TRABAJO

No ejercer demasiada fuerza al taladrar o martillear. Deje que el taladro de percusión haga el trabajo por usted.

TRABAJOS EN CONDICIONES DE FRÍO

Quando se almacena la máquina durante un periodo de tiempo largo o a bajas temperaturas es posible que el lubricante se endurezca, pudiendo ocurrir que la máquina no funcione al principio o bien que su potencia sea demasiado baja. Si esto ocurre:

1. Inserte un taladro o un cincel en la máquina.
2. Coloque la máquina sobre una pieza sobrante de hormigón.
3. Accione el interruptor disparador cada par de segundos y suéltelo de nuevo.

Transcurridos entre 15 segundos y 2 minutos, la máquina vuelve a martillar normalmente. Cuanto más fría esté la máquina, más durará el calentamiento.

LIMPIEZA

Las ranuras de ventilación de la máquina deben estar despejadas en todo momento.

MANTENIMIENTO

Quando el martillo ha gastado las escobillas nunca se deberán sustituir!: el martillo deberá ser enviado a un servicio técnico oficial para efectuarle un mantenimiento de servicio. De esta única manera queda garantizado el perfecto funcionamiento y duración de la máquina.

Utilice solamente accesorios y repuestos Milwaukee. En caso de necesitar reemplazar componentes no descritos, contacte con cualquiera de nuestras estaciones de servicio Milwaukee (consultar lista de servicio técnicos)

Puede solicitar, en caso necesario, una vista despiezada del aparato bajo indicación del tipo de máquina y el número de seis dígitos en la placa indicadora de potencia en su Servicio de Postventa o directamente en Techtronic Industries GmbH, Max-Eyth-Straße 10, 71364 Winnenden, Germany.

SÍMBOLOS

	Lea las instrucciones detenidamente antes de conectar la herramienta
	¡ATENCIÓN! ¡ADVERTENCIA! ¡PELIGRO!
	Retire la batería antes de comenzar cualquier trabajo en la máquina.
	Para trabajar con la máquina, utilizar siempre gafas de protección.
	Usar protectores auditivos!
	Utilice por ello una máscara protectora contra polvo.
	Usar guantes protectores
	El sistema antivibración reduce las vibraciones de la máquina en la empuñadura.
	Accesorio - No incluido en el equipo estándar, disponible en la gama de accesorios.



Los residuos de pilas y de aparatos eléctricos y electrónicos no se deben desechar junto con la basura doméstica. Los residuos de pilas y de aparatos eléctricos y electrónicos se deben recoger y desechar por separado.

Retire los residuos de pilas y acumuladores, así como las fuentes de iluminación de los aparatos antes de desecharlos. Infórmese en las autoridades locales o en su distribuidor especializado sobre los centros de reciclaje y los puntos de recogida. Dependiendo de las disposiciones locales al respecto, los distribuidores minoristas pueden estar obligados a aceptar de forma gratuita la devolución de residuos de pilas, aparatos eléctricos y electrónicos.

Contribuya mediante la reutilización y el reciclaje de sus residuos de pilas y de aparatos eléctricos y electrónicos a reducir la demanda de materias primas. Los residuos de pilas (sobre todo de pilas de iones de litio) y de aparatos eléctricos y electrónicos contienen valiosos materiales reutilizables que pueden tener efectos negativos para el medio ambiente y su salud si no son desechados de forma respetuosa con el medio ambiente. Antes de desecharlos, elimine los datos personales que podría haber en los residuos de sus aparatos.

	Velocidad de giro en vacío
	Tensión
	Corriente continua
	Marcado de conformidad europeo
	Marcado de conformidad británico
	Marcado de conformidad ucraniano
	Marcado de conformidad euroasiático

CARACTERÍSTICAS TÉCNICAS

	M18 BLHACD26
Tipo	Martelo Rotativo a Batería
Número de produção	4919 77 01 XXXXXX MJJJ
Tensão do acumulador	18 V ---
Força da pancada	2,6 J
Velocidade em vazio	0-1270 min ⁻¹
Frequência de percussão em carga	0-4600 min ⁻¹
Ø da gola de aperto	43 mm
Ø de furo em betão	26 mm
Ø de furo em aço	13 mm
Ø de furo em madeira	28 mm
Coroas dentadas em tijolo e calcário	65 mm
Peso nos termos do procedimento-EPTA 01/2014 (2,0 Ah ... 12,0 Ah)	2,8 kg ... 3,9 kg
Temperatura ambiente recomendada ao trabalhar	-18...+50 °C
Tipos de baterias recomendadas	M18 B...; M18 HB...
Carregadores recomendados	M12-18...; M18 DFC; M1418 C6
Informações sobre ruído: Valores de medida de acordo com EN 62841.	
O nível de ruído avaliado A do aparelho é tipicamente:	
Nível da pressão de ruído / Incertez K	93,5 dB(A) / 3 dB(A)
Nível da potência de ruído / Incertez K	104,5 dB(A) / 3 dB(A)
Sempre use a proteção dos ouvidos.	
Informações sobre vibração: Valores totais de vibração (soma dos vectores das três direcções) determinadas conforme EN 62841.	
Valor de emissão de vibração a _h / Incertez K	
Furar em betão (a _{h,HD})	13,9 m/s ² / 1,5 m/s ²
Trabalho de ponteira (a _{h,Cheg})	13,2 m/s ² / 1,5m/s ²

ATENÇÃO!

O nível de emissão de ruído e vibração fornecido nesta ficha de informações foi medido de acordo com um teste padronizado que se encontra na norma EN 62841, podendo ser utilizado para fazer comparações entre ferramentas. Pode ser utilizado para fazer uma avaliação preliminar da exposição.

O nível vibratório indicado representa as principais aplicações da ferramenta eléctrica. Se, no entanto, a ferramenta eléctrica for utilizada para outras aplicações, com outras ferramentas adaptadas ou uma manutenção insuficiente, o nível vibratório poderá divergir. Isto pode aumentar consideravelmente o esforço vibratório ao longo de todo o período do trabalho.

Para uma avaliação exacta do esforço vibratório devem também ser considerados os tempos durante os quais o aparelho está desligado ou está a funcionar, mas não está efectivamente a ser utilizado. Isto pode reduzir consideravelmente o esforço vibratório ao longo de todo o período do trabalho.

Identifique medidas de segurança adicionais para proteger o operador contra os efeitos da vibração e/ou ruído, tais como: fazer a manutenção da ferramenta e dos acessórios, manter as mãos quentes, organizar padrões de trabalho.

ADVERTÊNCIA Devem ser lidas todas as advertências de segurança, instruções, ilustrações e especificações fornecidas com esta ferramenta eléctrica. O desrespeito das advertências e instruções apresentadas abaixo pode causar choque eléctrico, incêndio e/ou graves lesões. **Guarde bem todas as advertências e instruções para futura referência.**

INSTRUÇÕES DE SEGURANÇA PARA MARTELO

Instruções de segurança para todas as operações

Sempre use a proteção dos ouvidos. A influência de ruídos pode causar surdez.

Sempre use os punhos adicionais fornecidos com o aparelho. A perda de controlo pode causar feridas.

Segure o aparelho nas superfícies de punho isoladas se estiver a executar trabalhos, nos quais a ferramenta de corte pode tocar em linhas eléctricas escondidas.

O contacto da ferramenta de corte com uma linha sob tensão também pode colocar peças metálicas do aparelho sob tensão e levar a um choque eléctrico.

Instruções de segurança para a utilização da broca de martelo com brocas compridas

Sempre comece com uma velocidade baixa e com a broca em contato direto com a peça. Com velocidades mais altas a broca pode deformar-se ao girar sem contato com a peça e isso pode causar feridas.

Sempre só exerça pressão em direção direta à broca e não aperte demais. As brocas podem deformar-se e quebrar ou isso pode causar uma perda do controlo sobre o aparelho, o que também pode causar feridas.

INSTRUÇÕES DE SEGURANÇA E TRABALHO SUPLEMENTARES

Use o equipamento de proteção pessoal. Use sempre óculos de proteção. A utilização do equipamento de proteção adequado, por exemplo, uma máscara de proteção contra pó, calçados antiderrapantes, capacete ou proteção auditiva, reduz o risco de ferir-se.

O pó que resulta ao trabalhar pode ser nocivo para a saúde, por isso não devendo penetrar no corpo. Use uma máscara de proteção contra pó apropriada.

Não devem ser processados materiais que representem um perigo para a saúde (p. ex. asbesto).

Desligue o aparelho imediatamente, quando a ferramenta de inserção bloquear! Não ligue o aparelho novamente durante o bloqueio da ferramenta de inserção, pois isso pode levar a um recuo repentino com uma alta força reactiva. Verifique e elimine a causa do bloqueio da ferramenta de inserção, observando as instruções de segurança.

Causas possíveis podem ser:

- Emperramento na peça a trabalhar
- Material a processar rompido
- Sobrecarga da ferramenta eléctrica

Não toque na máquina em operação.

A ferramenta tem arestas afiadas e pode ficar quente durante a utilização.

ADVERTÊNCIA! Perigo de corte e queimadura

- no manuseio das ferramentas
- ao depositar o dispositivo.

Use luvas de protecção no manuseio das ferramentas.

Não remover aparas ou lascas enquanto a máquina trabalha.

Ao trabalhar em paredes, tectos e soalhos prestar atenção a que não sejam atingidos cabos eléctricos e canalizações de gás e água.

Fixe a peça a trabalhar com um dispositivo de fixação. Peças a trabalhar não fixadas podem levar a feridas graves e danos sérios.

Antes de efectuar qualquer intervenção na máquina retirar o bloco acumulador.

Não queimar acumuladores gastos nem deitá-los no lixo doméstico. A Milwaukee possui uma eliminação de acumuladores gastos que respeita o meio ambiente.

Não guardar acumuladores junto com objectos metálicos (perigo de curto-circuito).

Use apenas carregadores do Sistema M18 para recarregar os acumuladores do Sistema M18. Não utilize acumuladores de outros sistemas.

Carregadores só devem ser utilizados em recintos secos.

Em caso de cargas ou temperaturas extremas, um acumulador de substituição danificado poderá verter líquido de bateria. Se entrar em contacto com este líquido, deverá lavar-se imediatamente com água e sabão. Em caso de contacto com os olhos, enxágüe-os bem e de imediato durante pelo menos 10 minutos e consulte um médico o mais depressa possível.

Advertência! Para evitar o risco de incêndio, de feridas ou de danificação do produto causado por um curto-circuito, não imerja a bateria intercambiável ou o carregador em líquidos e assegure-se de que líquidos não penetrem nos aparelhos ou nas baterias. Líquidos corrosivos ou condutivos como água salgada, determinadas substâncias químicas ou produtos que contenham branqueadores podem causar um curto-circuito.

UTILIZAÇÃO AUTORIZADA

O martelo electro-pneumático tem aplicação universal para trabalhos de furar com percussão em pedra furar madeira, metais e plásticos.

Não use este produto de outra maneira sem ser a normal para o qual foi concebido.

RISCOS RESIDUAIS

Mesmo em caso de utilização correcta não é possível excluir todos os riscos residuais. Na utilização da máquina podem ser causados os seguintes perigos que o utilizador deve observar:

- Feridas causadas pela vibração. Segure o aparelho nos punhos previstos e limite o tempo de trabalho e exposição.
- Os ruídos podem levar à perda de audição. Use um protetor auricular e limite o período de exposição.
- Feridas dos olhos causadas por partículas de sujeira. Use sempre óculos de protecção, calças compridas robustas e sapatos robustos.
- Inalação de póis tóxicos.

NOTAS PARA BATERIAS DE IÕES DE LÍTIU

Utilização de iões de lítio

Acumuladores não utilizados durante algum tempo devem ser recarregados antes da sua utilização.

Temperaturas acima de 50°C reduzem a capacidade do acumulador. Evitar exposição prolongada ao sol ou a caloríferos.

Mantenha limpos os contactos eléctricos no carregador e a bateria.

Para uma vida útil óptima das baterias, terá que carregá-las plenamente após a sua utilização.

Para assegurar uma vida útil longa, as baterias devem ser removidas do carregador depois do carregamento.

Se o pacote de bateria for armazenado por mais de 30 dias: Armazene o pacote de bateria com aprox. 27°C em um lugar seco. Armazene o pacote de bateria com aprox. 30%-50% da carga completa.

Carregue o pacote de bateria novamente de 6 em 6 meses.

Protecção contra sobrecarga para baterias de iões de lítio

No caso de sobrecarga da bateria devido a um consumo de corrente demasiado elevado, por exemplo um binário de rotação extremamente elevado, um bloqueio da broca, uma paragem repentina ou um curto-circuito, a ferramenta eléctrica vibra durante 5 segundos, o indicador de carregamento de bateria começa a piscar e a ferramenta eléctrica desliga-se automaticamente. Para a ligar novamente, desligar e voltar a ligar o interruptor Sob condições extremas, a bateria aquece demasiado. Nesse caso, todas as luzes do indicador de carregamento de bateria piscam até que esta arrefeça. Após as luzes do indicador de carregamento de bateria se apagarem, pode-se continuar a trabalhar.

Transporte de baterias de iões de lítio

Baterias de ião-lítio estão sujeitas às disposições da legislação relativa às substâncias perigosas.

O transporte destas baterias deve ser efectuado de acordo com as disposições e os regulamentos locais, nacionais e internacionais.

- O utilizador pode efectuar o transporte rodoviário destas baterias sem restrições.
- O transporte comercial de baterias de ião-lítio por terceiros está sujeito aos regulamentos relativos às substâncias perigosas. A preparação do transporte e o transporte devem ser executados exclusivamente por pessoas instruídas e o processo deve ser acompanhado pelos especialistas correspondentes.

Observe o seguinte no transporte de baterias:

- Assegure-se de que os contactos terminais estejam protegidos e isolados para evitar um curto-circuito.
- Assegure-se de que o bloco da bateria esteja protegido contra movimentos na embalagem.
- Não transporte baterias danificadas ou que tenham fuga.

Para instruções mais detalhadas consulte a companhia de transportes

DICAS DE TRABALHO

Não use muita força ao furar ou martelar. Deixe o berbequim trabalhar para você.

TRABALHAR NO FRIO

Se a máquina for armazenada por um período prolongado ou com temperaturas baixas, a lubrificação pode ficar viscosa e é possível que a máquina não funcione no início ou que o desempenho seja muito fraco. Se isso acontecer:

1. Coloque uma broca ou um cinzel na máquina.
2. Coloque a máquina sobre uma peça residual de betão.
3. Prima e solte o botão interruptor em intervalos de poucos segundos.

Depois de 15 segundos a 2 minutos a máquina começa a martelar normalmente. Quanto mais frio a máquina estiver, tanto mais tempo durará o aquecimento.

LIMPEZA

Manter desobstruídos os rasgos de ventilação na carcaça da máquina.

MANUTENÇÃO

Se as escovas de carvão estão gastas, adicionalmente á mudança das mesmas e ferramenta deve ser submetida a assistência. Isto irá assegurar longo tempo de vida útil bem como constante prontidão da máquina para o trabalho.

Utilizar apenas acessórios Milwaukee e peças sobresselentes Milwaukee. Os componentes cuja substituição não esteja descrita devem ser substituídos num serviço de assistência técnica Milwaukee (consultar a brochura relativa á garantia/moradas dos serviços de assistência técnica).

Se for necessário, um desenho de explosão do aparelho pode ser solicitado do seu posto de assistência ao cliente ou directamente da Techtronic Industries GmbH, Max-Eyth-Straße 10, 71364 Winnenden, Alemanha, indicando o tipo da máquina e o número de seis posições na chapa indicadora da potência.

SYMBOLE

	Leia atentamente o manual de instruções antes de colocar a máquina em funcionamento.
	ATENÇÃO! PERIGO!
	Antes de efectuar qualquer intervenção na máquina retirar o bloco acumulador.
	Usar sempre óculos de protecção ao trabalhar com a máquina.
	Use protectores auriculares!
	Use uma máscara de protecção contra pó apropriada.
	Use luvas de protecção!
	O sistema anti-vibração reduz as vibrações da máquina na pega.
	Acessório - Não incluído no equipamento normal, disponível como acessório.



Resíduos de pilhas, resíduos de equipamentos eléctricos e electrónicos não devem ser descartados com o lixo doméstico. Resíduos de pilhas, resíduos de equipamentos eléctricos e electrónicos devem ser recolhidos e descartados separadamente. Remova os resíduos de pilhas, os resíduos de acumuladores e as luzes antes de descartar os equipamentos. Informe-se sobre os centros de reciclagem e os postos de coleta nas autoridades locais ou no seu vendedor autorizado. Dependendo dos regulamentos locais, os retalhistas podem ser obrigados a retomar gratuitamente os resíduos de pilhas e os resíduos de equipamentos eléctricos e electrónicos. Contribua a reduzir as necessidades de matérias-primas, reutilizando e reciclando os seus resíduos de pilhas e os seus resíduos de equipamentos eléctricos e electrónicos. Resíduos de pilhas (particularmente pilhas de íon lítio), resíduos de equipamentos eléctricos e electrónicos contém materiais valiosos e reutilizáveis que podem ter efeitos negativos para o meio ambiente e a sua saúde. Apague eventuais dados pessoais existentes no seu resíduo de equipamento antes de descartá-lo.

	Velocidade de marcha lenta
	Tensão
	Corrente contínua
	Marca de Conformidade Europeia
	Marca de conformidade britânica
	Marca de Conformidade Ucraniana
	Marca de Conformidade Eurasiática

TECHNISCHE GEGEVENS	M18 BLHACD26
Type	Accu-boorhamer
Productienummer	4919 77 01 XXXXXX MJJJJ
Spanning wisselakku	18 V ---
Slagkracht	2,6 J
Onbelast toerental	0-1270 min ⁻¹
Aantal slagen belast	0-4600 min ⁻¹
Spanhals-Ø	43 mm
Boor-Ø in beton	26 mm
Boor-Ø in staal	13 mm
Boor-Ø in hout	28 mm
Slagboorkroon voor tegel en kalkzandsteen	65 mm
Gewicht volgens de EPPTA-procedure 01/2014 (2,0 Ah ... 12,0 Ah)	2,8 kg ... 3,9 kg
Aanbevolen omgevingstemperatuur tijdens het werken	-18...+50 °C
Aanbevolen accutypes	M18 B...; M18 HB...
Aanbevolen laadtoestellen	M12-18...; M18 DFC; M1418 C6

Geluidsinformatie: Meetwaarden vastgesteld volgens EN 62841.

Het kenmerkende A-gewogen geluidsniveau van de machine bedraagt:

Geluidsdrukniveau / Onzekerheid K 93,5 dB(A) / 3 dB(A)
 Geluidsvermogensniveau / Onzekerheid K 104,5 dB(A) / 3 dB(A)

Drag oorbeschermers.

Trillingsinformatie: Totale trillingswaarden (vectorsom van drie richtingen) bepaald volgens EN 62841.

Trillingsemisiewaarde a_v / Onzekerheid K

Hamerboren in beton (a_{h,HD})

Hakken (a_{h,Ched}) 13,9 m/s² / 1,5 m/s²

13,2 m/s² / 1,5 m/s²

WAARSCHUWING!

De in dit informatieblad vermelde trillings- en geluidsniveaus zijn gemeten in overeenstemming met een standaard testmethode conform EN 62841 en kunnen worden gebruikt om gereedschap met elkaar te vergelijken. Deze kunnen ook worden gebruikt voor het vooraf evalueren van de blootstelling.

De aangegeven trillingsdruk geldt voor de meest gebruikelijke toepassingen van het elektrische apparaat. Wanneer het elektrische gereedschap echter voor andere doeleinden, met andere dan de voorgeschreven hulpstukken gebruikt of niet naar behoren onderhouden wordt, kan de trillingsdruk afwijken. Dit kan de waarde van de trillingsdruk over de hele werkperiode aanzienlijk verhogen.

Voor een nauwkeurige inschatting van de trillingsdruk moeten ook de tijden in aanmerking worden genomen dat het apparaat uitgeschakeld is of weliswaar loopt, maar niet werkelijk in gebruik is. Dit kan de waarde van de trillingsdruk over de hele werkperiode aanzienlijk verminderen.

Bepaal extra veiligheidsmaatregelen ter bescherming van de gebruiker tegen de gevolgen van trillingen en/of geluid, bijvoorbeeld: onderhouden van het gereedschap en hulpstukken, warmhouden van de handen, organisatie van de werkprocessen.

WAARSCHUWING! Lees alle veiligheidswaarschuwingen, voorschriften, afbeeldingen en specificaties voor dit elektrische gereedschap. Als de onderstaande waarschuwingen niet worden opgevolgd, kan dit een elektrische schok, brand of ernstig letsel tot gevolg hebben. Bewaar alle waarschuwingen en voorschriften voor toekomstig gebruik.

VEILIGHEIDSinSTRUCTIES VOOR BOORHAMER

Veiligheidsinstructies voor alle bewerkingen

Drag oorbeschermers. Blootstelling aan geluid kan het gehoor beschadigen.

Gebruik de bij de machine geleverde zijhandgreep. Verlies aan controle kan tot persoonlijk letsel leiden.

Houd het apparaat alléén aan de geïsoleerde grijpvlakken vast, wanneer u werkzaamheden uitvoert waarbij het snijgereedschap verborgen stroomleidingen zou kunnen raken. Het contact van het snijgereedschap met een spanningvoerende leiding kan de metalen apparaatdelen onder spanning zetten en zo tot een elektrische schok leiden.

Veiligheidsinstructies voor het gebruik van de boorhamer met lange boren

Start het apparaat altijd met een lager toerental en alleen als de boor contact maakt met het werkstuk. Bij hogere toerentalen kan de boor verbuigen als hij draait zonder contact te maken met het werkstuk, hetgeen kan leiden tot persoonlijk letsel.

Oefen alleen in een directe lijn druk uit op de boor en druk niet te hard tijdens het boren. Door te hoge druk kunnen boren verbuigen en breken of kunt u de controle over het apparaat verliezen, hetgeen wederom kan leiden tot persoonlijk letsel.

VERDERE VEILIGHEIDS- EN WERKINSTRUCTIES

Drag persoonlijke veiligheidsuitrusting. Drag altijd een veiligheidsbril. Door het dragen van een geschikte veiligheidsuitrusting zoals een stofmasker, slijpvest schoeisel, een veiligheidshelm of gehoorbescherming, vermindert u het risico voor letsel.

Het gedurende het werken vrijkomende stof is doorgaans schadelijk voor de gezondheid en mag niet met het lichaam in aanraking komen. Drag derhalve een geschikt stofbeschermingsmasker.

Het is niet toegestaan, materialen te bewerken waarvan een gezondheidsgevaar uitgaat (bijv. asbest).

Schakel het apparaat onmiddellijk uit als het gereedschap blokkeert! Schakel het apparaat niet in zolang het gereedschap

geblokkeerd is; dit zou een terugslag met een hoog reactiemoment kunnen veroorzaken. Achterhaal en verhelp de oorzaak voor de blokkering van het gereedschap met inachtneming van de veiligheidsinstructies.

Mogelijke oorzaken voor de blokkering:

- kantelen in het te bewerken werkstuk
- doorbreken van het te bewerken materiaal
- overbelasting van het elektrische gereedschap

Grijp niet in de lopende machine.

Het inzetgereedschap heeft scherpe randen en kan tijdens het gebruik heet worden.

WAARSCHUWING! Gevaar voor snij- en brandwonden – tijdens het gebruik van het inzetgereedschap – bij het neerleggen van het apparaat.

Drag veiligheidschandoenen bij het hanteren met de inzetgereedschappen.

Spanen of splinters mogen bij draaiende machine niet worden verwijderd.

Bij het werken in wanden, plafonds of vloeren oppassen voor elektriciteitsdraden, gas- of waterleidingen.

Borg uw werkstuk met behulp van een spaninrichting. Niet geborgde werkstukken kunnen ernstig letsel en grote schade veroorzaken.

Voor alle werkzaamheden aan de machine de akku verwijderen.

Verbruikte akku's niet in het vuur of bij het huisvuil werpen. Milwauke biedt namelijk een milieuvriendelijke recyclingmethode voor uw oude akku's.

Wisselakku's niet bij metalen voorwerpen bewaren (kortsluitingsgevaar!)

Wisselakku's van het Akku-Systeem M18 alléén met laadapparaten van het Akku-Systeem M18 laden. Geen akku's van andere systemen laden.

Wisselakku's en laadapparaten niet openen en alleen in droge ruimtes opslaan. Tegen vocht beschermen.

Onder extreme belasting of extreme temperaturen kan uit de accu accu-vloeistof lopen. Na contact met accu-vloeistof direct afwassen met water en zeep. Bij oogcontact direct minstens 10 minuten grondig spoelen en onmiddellijk een arts raadplegen.

Waarschuwing! Voorkom brand, persoonlijk letsel of materiële schade door kortsluiting en dompel het gereedschap, de wisselaccu en het laadtoestel niet onder in vloeistoffen en waarborg dat geen vloeistoffen in de apparaten en accu's kunnen dringen. Corrosieve of geleidende vloeistoffen zoals zout water, bepaalde chemicaliën, bleekmiddelen of producten die bleekmiddelen bevatten, kunnen een kortsluiting veroorzaken.

VOORGESCHREVEN GEBRUIK VAN HET SYSTEEM

De akku-boorhamer is universeel inzetbaar voor hamerboren in steen en voor boren in hout, metaal en kunststof, onafhankelijk van een netaansluiting.

Dit apparaat uitsluitend gebruiken voor normaal gebruik, zoals aangegeven.

RESTRISICO'S

Ook als de machine volgens de voorschriften gebruikt wordt, kunnen niet alle risico's worden uitgesloten. Let bij het gebruik op de volgende gevaren:

- Door vibraties veroorzaakt letsel. Houd de machine vast aan de daarvoor bedoelde grepen en beperk de tijd die u met de machine werkt en waarin u aan de vibraties wordt blootgesteld.
- Lawaai kan leiden tot gehoorschade. Drag een gehoorbescherming en beperk de tijd waarin u aan het lawaai wordt blootgesteld.
- Door vuildeeltjes veroorzaakt oogletsel. Drag altijd een veiligheidsbril, een stevige lange broek en vast schoeisel.
- Inademen van toxische stoffen.

OPMERKINGEN OVER LI-ION-ACCU'S

Gebruik van li-ion-accu's

Langere tijd niet toegepaste akku's vóór gebruik altijd naladen.

Een temperatuur boven de 50°C vermindert de capaciteit van de accu. Langdurige verwarming door zon of hitte vermijden.

De aansluitcontacten aan het laadapparaat en de accu schoonhouden.

Voor een optimale levensduur moeten de accu's na het gebruik volledig opgeladen worden.

Voor een zo lang mogelijke levensduur van de accu's dienen deze na het opladen uit het laadtoestel te worden verwijderd.

Bij een langere opslag van de accu dan 30 dagen:

accu bij ca. 27 °C droog bewaren.

accu bij ca. 30 % - 50 % van de laadtoestand bewaren.

accu om de 6 maanden opnieuw opladen.

Overbelastingsbeveiliging voor li-ion-accu's

Bij overbelasting van de accu door zeer hoog stroomverbruik, bijv. extreem hoge draaimomenten, klemmen van de boor, plotseling stoppen of kortsluiting, vibreert het elektrische gereedschap gedurende 5 seconden, de laadweergave knippert en het elektrische gereedschap schakelt automatisch uit.

Om het gereedschap weer in te schakelen, moet u de drukschakelaar loslaten en vervolgens weer inschakelen. Onder extreme belastingen wordt de accu te heet. In dit geval knipperen alle lampen van de laadweergave totdat de accu afgekoeld is. Na het doven van de laadweergave kunt u weer verder werken.

Transport van li-ion-accu's

Lithium-ionen-accu's vallen onder de wettelijke bepalingen inzake het transport van gevaarlijke goederen.

Voor het transport van deze accu's moeten de lokale, nationale en internationale voorschriften en bepalingen in acht worden genomen.

- Verbruikers mogen deze accu's zonder meer over de weg transporteren.
- Het commerciële transport van lithium-ionen-accu's door expeditiebedrijven is onderhevig aan de bepalingen inzake het transport van gevaarlijke goederen. De verzendingsvoorbereidingen en het transport mogen uitsluitend worden uitgevoerd door dienovereenkomstig opgeleide personen. Het complete proces moet vakkundig worden begeleid.

Onderstaande punten moeten bij het transport van accu's in acht worden genomen:

- Waarborg ter vermindering van kortsluitingen dat de contacten beschermd en geïsoleerd zijn.
- Let op dat het accupack in de verpakking niet kan verschuiven.
- Beschadigde of lekkende accu's mogen niet worden getransporteerd.

Neem voor meer informatie contact op met uw expeditiebedrijf.

ARBEIDSinSTRUCTIES

Zet niet te veel kracht tijdens het boren of hameren. Laat de boorhamer het werk doen.

WERKEN BIJ KOU

Als de machine gedurende een langere periode of bij lage temperaturen opgeslagen wordt, kan de smering taai worden. Het kan zijn dat de machine dan in het begin niet functioneert of het vermogen van de machine te gering is. Als dat gebeurt:

1. Plaats een boor of bijtel in de machine.
2. Zet de machine op een reststuk betonen.
3. Druk om de paar seconden op de drukschakelaar en laat hem weer los.

Na 15 seconden tot 2 minuten begint de machine weer normaal te hameren. Hoe kouder de machine is, hoe langer het duurt.

REINIGING

Altijd de luchtspleten van de machine schoonhouden.

ONDERHOUD

Belangrijke tip! Versleten koolborstels tijdig door een service-werkplaats laten vervangen. Dit verhoogt de levensduur van de machine en garandeert dat de machine altijd direct klaar is voor gebruik.

Gebruik uitsluitend Milwaukee toebehoren en onderdelen. Indien componenten die moeten worden vervangen niet zijn beschreven, neem dan contact op met een officieel Milwaukee servicecentrum (zie onze lijst met servicecentra).

Zo nodig kan een explosietekening van het apparaat worden aangevraagd bij uw klantenservice of direct bij Techtronic Industries GmbH, Max-Eyth-Straße 10, 71364 Winnenden, Duitsland onder vermelding van het machinetype en het zescijferige nummer op het typeplaatje.

SYMBOLLEN

	Graag instructies zorgvuldig doorlezen vóórdát u de machine in gebruik neemt.
	OPGELET! WAARSCHUWING! GEVAAR!
	Voor alle werkzaamheden aan de machine de akku verwijderen.
	Bij het werken met de machine altijd een veiligheidsbril dragen.
	Draag oorbeschermers!
	Draag derhalve een geschikt stofbeschermsmasker.
	Draag veiligheidshandschoenen!
	De trillingsdemper vermindert de trillingen van de machine aan de handgreep.
	Toebehoren - Wordt niet meegeleverd. Is apart leverbaar. Zie hiervoor het toebehorenprogramma.



Afgedankte batterijen en afgedankte elektrische en elektronische apparatuur mogen niet samen via het huisafval worden afgevoerd. Afgedankte batterijen en afgedankte elektrische en elektronische apparatuur moeten gescheiden ingezameld en afgevoerd worden. Verwijder afgedankte batterijen, afgedankte accu's en verlichtingsmiddelen uit de apparatuur voordat u deze afvoert. Informeer bij uw gemeente of bij uw vakhandelaar naar recyclingbedrijven en inzamelpunten. Al naargelang de lokaal van toepassing zijnde voorschriften kunnen detailhandelaren verplicht zijn om afgedankte batterijen, afgedankte elektrische en elektronische apparatuur kosteloos terug te nemen. Geef uw afgedankte batterijen, afgedankte elektrische en elektronische apparatuur af voor recycling en help zo mee om de behoefte aan grondstoffen te verminderen. Afgedankte batterijen (vooral lithium-ion-batterijen), afgedankte elektrische en elektronische apparatuur bevatten waardevolle, recyclebare materialen die, mits ze niet milieuvriendelijk worden afgevoerd, negatieve gevolgen kunnen hebben voor het milieu en uw gezondheid. Verwijder persoonlijke gegevens van uw afgedankte apparatuur voordat u deze afvoert.



Nullaasttoerental



Spanning



Gelijkstroom



Europees symbool van overeenstemming



Britse conformiteitsmarkering



Oekraïens symbool van overeenstemming



Oekraïens symbool van overeenstemming



Oekraïens symbool van overeenstemming



Oekraïens symbool van overeenstemming



Euro-Aziatisch symbool van overeenstemming



Euro-Aziatisch symbool van overeenstemming

TEKNISCHE DATA

	M18 BLHACD26
Type	Akku borehammer
Produktionsnummer	4919 77 01 XXXXX MJJJJ
Udskiftningsbatteriets spænding	18 V ---
Enkeltslagsenergi	2,6 J
Omdrejningstal, ubelastet	0-1270 min ⁻¹
Slagantal belastet	0-4600 min ⁻¹
Halsdiameter	43 mm
Bor-ø i beton	26 mm
Bor-ø i stål	13 mm
Bor-ø i træ	28 mm
Letborekrone i tegl og kalksandsten	65 mm
Vægt svarer til EPTA-procedure 01/2014 (2,0 Ah ... 12,0 Ah)	2,8 kg ... 3,9 kg
Anbefalet temperatur under arbejdet	-18...+50 °C
Anbefalede batterityper	M18 B...; M18 HB...
Anbefalede opladere	M12-18...; M18 DFC; M1418 C6

Støjinformation:

Måleværdier beregnes iht. EN 62841.

Værktøjets A-vurderede støjniveau er typisk:

Lydtrykniveau / Usikkerhed K

93,5 dB(A) / 3 dB(A)

Lydeffekt niveau / Usikkerhed K

104,5 dB(A) / 3 dB(A)

Bær høreværn.

Vibrationsinformation: Samlede vibrationsværdier (værdisum for tre retninger) beregnet iht. EN 62841.

Vibrationseksponering $a_{h,v}$ / Usikkerhed K

Hammerboring i beton ($a_{h,HD}$)

13,9 m/s² / 1,5 m/s²

Mejsle ($a_{h,Cheg}$)

13,2 m/s² / 1,5m/s²

⚠ ADVARSEL!

Det vibrations- og støjemissionsniveau, der nævnes i dette oplysningsskema, er blevet målt i overensstemmelse med en standardiseret test fra EN 62841, og det kan bruges til at sammenligne ét værktøj med et andet. Det kan bruges til en foreløbig bedømmelse af eksponeringen.

Det angivne svingningsniveau er baseret på el-værktøjets primære anvendelsesformål. Hvis el-værktøjet benyttes til andre formål, med andet indsatsværktøj eller ikke vedligeholdes tilstrækkeligt, kan svingningsniveauet afvige. Dette kan øge svingningsbelastningen over den samlede arbejdsperiode betydeligt.

For en nøjagtig vurdering af svingningsbelastningen skal der også tages højde for de tidsperioder, hvor apparatet er slukket, eller hvor apparatet kører, men uden at være i anvendelse. Dette kan reducere svingningsbelastningen over den samlede arbejdsperiode betydeligt.

Identificér yderligere sikkerhedsforanstaltninger med henblik på at beskytte brugeren mod effekten af vibration og/eller støj, som fx: vedligehold værktøjet og tilbehøret, hold hænderne varme, organisering af arbejdsmønstre.

⚠ ADVARSEL Læs alle advarselsinformationer, anvisninger, figurer og specifikationer, som følger med dette el-værktøj. En manglende overholdelse af alle nedenstående anvisninger kan medføre elektrisk stød, brand og/eller alvorlige kvæstelser. **Opbevar alle advarselshenvisninger og instrukser til senere brug.**

SIKKERHEDSFORSKRIFTER FOR BOREHAMMER

Sikkerhedsanvisninger for alle brugssituationer

Bær høreværn. Støjpåvirkning kan bevirke tab af hørelse.

Brug de ekstra håndtag, som følger med apparatet. Hvis kontrollen mistes, kan det medføre personskade.

Hold maskinen fast i de isolerede gribeftader, når du udfører arbejde, hvor der er risiko for, at skæreværktøjet kan ramme skjulte strømledninger.

Kommer skæreværktøjet i kontakt med en strømførende ledning, kan maskinens metaldele komme under spænding og give elektrisk stød.

Sikkerhedsoplysninger vedrørende brug af borehammer med lange bor

Start altid med en lav omdrejningshastighed, mens borepatronen får kontakt med arbejdsemnet. Ved højere hastigheder er der risiko for, at borepatronen bøjer, hvis den får lov til at dreje uden at have kontakt til arbejdsemnet, hvilket kan forårsage personskade.

Læg altid kun pres på i lige linje til borepatronen og pres ikke for hårdt. Borepatroner kan bøje og brække af eller medføre tab af kontrol over værktøjet, hvilket kan forårsage personskade.

YDERLIGERE SIKKERHEDS- OG ARBEJDSINFORMATIONER

Brug personligt sikkerhedsudstyr. Brug beskyttelsesbriller. Brug af passende sikkerhedsudstyr, herunder støvmaske, skridsikre sko, en sikkerhedshjelm eller høreværn, reducerer risikoen for personskade.

Støv, som opstår under arbejdet, er ofte sundhedsfarligt og bør ikke trænge ind i kroppen. Benyt egnet åndedrætsværn.

Der må ikke bearbejdes nogen materialer, der kan udgøre en sundhedsrisiko (f.eks. asbest).

Sluk straks for maskinen, hvis indsatsværktøjet er blokeret! Tænd ikke for maskinen igen, så længe indsatsværktøjet er blokeret; dette kan føre til et tilbageslag med højt reaktionsmoment. Find frem til og afhjælp årsagen til indsatsværktøjets blokering under hensyntagen til sikkerhedsinstruktionerne.

Mulige årsager hertil kan være:

- at det sidder i klemme i emnet der bearbejdes
- at det har brækket materialet der bearbejdes
- at el-værktøjet er overbelastet

Grib ikke ind i maskinen, når den kører.

Indføringsværktøjet har skarpe kanter og kan blive varmt under brug.

ADVARSEL! Risiko for snitsår og forbrændinger

- ved håndtering af indføringsværktøj
- når du lægger maskinen fra dig.

Brug beskyttelseshandsker ved håndtering af indføringsværktøj.

Spåner eller splinter må ikke fjernes, medens maskinen kører.

Ved arbejdsbehandling i væg, loft eller gulv skal man passe på elektriske kabler, gas- og vandledninger.

Sørg for at sikre dit emne med en spændeanordning. Ikke sikrede emner kan forårsage alvorlige kvæstelser og beskadigelser.

Ved arbejde inden i maskinen, bør batteriet tages ud.

Opbrugte udskiftningsbatterier må ikke brændes eller kasseres sammen med alm. husholdningsaffald. Milwaukee har en miljørigtig bortskaffelse af gamle udskiftningsbatterier, henvend Dem til Deres forhandler.

Opbevar ikke udskiftningsbatterier sammen med metalgenstande af fare for kortslutning.

Brug kun M18 ladeapparater for opladning af System M18 batterier.

Udskiftningsbatterier og opladere må ikke åbnes og skal opbevares i tørre rum. Beskyt dem mod fugtighed.

I tilfælde af en ekstrem belastning eller ekstrem temperatur kan der flyde batterivæske ud af et beskadiget batteri. Hvis De kommer i berøring med batterivæsken, skal den vaskes godt og grundigt af med vand og sæbe. I tilfælde af øjenkontakt, skal man mindst skylle øjnene godt og grundigt igennem i 10 minutter og omgående opsøge en læge.

Advarsel! For at undgå risiko for brand, kvæstelser eller beskadigelse af produktet forårsaget af kortslutning på værktøjet, batteripakken eller opladere ikke nedsænkes i vand. Sørg ligeledes for, at der ikke trænger væske ind i enhederne og batterierne. Korroderende eller ledende væsker, f.eks. saltvand, bestemte kemikalier, blegestoffer eller produkter, som indeholder blegestoffer, kan forårsage kortslutning.

TILTÆNKT FORMÅL

Akku borehammeren kan bruges universelt til hammerboring i sten og til boring i træ, metal og kunststof uafhængigt af en nettislutning.

Produktet må ikke anvendes på anden måde og til andre formål end foreskrevet.

RESTRISICI

Selv ved korrekt brug kan alle restrisici ikke udelukkes. Brugen kan medføre følgende farer, som operatøren bør være særlig opmærksom på:

- Kvæstelser, som forårsages af vibration. Hold maskinen fast i de dertil beregnede greb og begræns arbejds- og ekspositionstiden.
- Støjbelastning kan medføre høreskader. Brug høreværn og begræns ekspositionstiden.
- Øjenskader på grund af snavspartikler. Brug altid beskyttelsesbriller, lange bukser og solidt fodtøj.
- Indånding af giftigt støv.

BEMÆRKNINGER VEDRØRENDE LI-ION-BATTERIER

Brug af Li-ion-batterier

Batterier, der ikke har været brugt i længere tid, efterlades inden brug.

Ved temperaturer over 50°C formindskes batteriets effekt. Undgå direkte sollys og stærk varme.

Tilslutningskontaktterne på oplader og batteri skal holdes rene.

For at opnå en optimal levetid skal de genopladelige batterier oplades fuldt efter brug.

For at sikre en så lang levetid som muligt skal batterierne tages ud af opladeren, når de er fuldt opladet.

Skal batterierne opbevares længere end 30 dage:

Temperatur ca. 27°C i tørre omgivelser.

Opbevares ved ca. 30%-50% af ladetilstanden.

Batteri skal genoplades hver 6. måned.

Overbelastningsbeskyttelse vedrørende Li-ion-batterier

Overbelastes batteriet på grund af meget højt strømforbrug, f.eks. som følge af ekstremt høje drejningsmomenter, fastklemning af bor, pludseligt stop eller kortslutning, vibrerer el-værktøjet i 5 sekunder, ladeindikatoren blinker, og el-værktøjet slukker af sig selv.

For at tænde igen slippes trykknappen, hvorefter du tænder el-værktøjet igen.

Ved ekstreme belastninger bliver batteriet for varmt. I så fald blinker alle lamper på ladeindikatoren, indtil batteriet er kølet af. Når ladeindikatoren går ud, kan arbejdet genoptages.

Transport af Li-ion-batterier

Lithium-batterier er omfattet af lovgivningen om transport af farligt gods.

Transporten af disse batterier skal ske under overholdelse af lokale, nationale og internationale regler og bestemmelser.

- Forbrugere må transportere disse batterier på veje uden yderligere krav.
- Den kommercielle transport af lithium-batterier ved spedititionsfirmaer er omfattet af reglerne for transport af farligt gods. Forberedelsen af forsendelse og transport må kun udføres af tilsvarende trænedte personer. Den samlede proces skal følges af fagfolk.

Følgende punkter skal overholdes ved transport af batterier:

- Sørg for at kontaktterne er beskyttet og isoleret for at forhindre kortslutninger.
- Sørg for at batteripakken ikke kan bevæge sig inden for emballagen.
- Beskadigede eller lækende batterier må ikke transporteres.

Kontakt dit spedititionsfirma for at få yderligere oplysninger.

ARBEJDSANVISNINGER

Pres ikke for hårdt, når du borer eller hamrer. Lad borehammeren gøre arbejdet for dig.

ARBEJDE I KULDE

Hvis maskinen ikke har været i brug i en længere periode eller opbevaret ved lave temperaturer, kan smøringen blive hård, og det kan forekomme, at maskinen ikke virker til at begynde med, eller at maskinens ydeevne er for lav. Hvis det sker:

1. Sæt et bor eller en mejsel i maskinen.
2. Placer maskinen med boret eller mejslen på et stykke beton.
3. Tænd og sluk for start/stop-knappen med nogle sekunders mellemrum.

Efter mellem 15 sekunder og 2 minutter begynder maskinen at hamre normalt. Jo koldere maskinen er, jo længere tid tager opvarmningen.

RENGØRING

Hold altid maskinens ventilationsåbninger rene.

VEDLIGEHOLDELSE

I forbindelse med udskiftning af nedslidte kul anbefales det, at maskinen indsendes til et autoriseret serviceværksted for almindelig service-check. Det giver optimal sikkerhed for altid funktionsdygtig maskine og lang levetid.

Brug kun Milwaukee-tilbehør og Milwaukee-reservedele.

Komponenter, hvor udskiftningsproceduren ikke er beskrevet, skal skiftes ud hos et Milwaukee-servicested (se brochure garanti/kundeserviceadresser).

Hvis det er nødvendigt, kan der bestilles en sprængskitse af værktøjet. Angiv herved venligst maskintypen samt det sekscifrede nummer på mærkepladen og bestil tegningen hos din lokale kundeserviceafdeling eller direkte hos Techtronic Industries GmbH, Max-Eyth-Straße 10, 71364 Winnenden, Tyskland.

SYMBOLER

	Læs brugsanvisningen nøje før ibrugtagning.
	VIGTIGT! ADVARSEL! FARE!
	Ved arbejde inden i maskinen, bør batteriet tages ud.
	Når der arbejdes med maskinen, skal man have beskyttelsesbriller på.
	Brug høreværn!
	Benyt egnet åndedrætsværn.
	Brug beskyttelseshandsker!
	Antivibrationsystemet reducerer maskinens vibrationer på håndtaget.
	Tilbehør - Ikke inkluderet i leveringsomfanget, køb købes som tilbehør.



Udtjente batterier, affald af elektrisk og elektronisk udstyr må ikke bortskaffes sammen med husaffald. Udtjente batterier, affald af elektrisk og elektronisk udstyr skal indsamles og bortskaffes særskilt. Fjern udtjente batterier, udtjente akkumulatører og lysmidler fra udstyret, inden det bortskaffes. Spørg efter genbrugsstationer og indsamlingssteder hos de lokale myndigheder eller din fagforhandler. Alt efter de lokale bestemmelser kan detailhandlere være forpligtede til gratis at tage brugte batterier, affald af elektrisk og elektronisk udstyr tilbage. Bidrag til at nedbringe behovet for råmaterialer ved at genbruge og genanvende dine udtjente batterier, affald af elektrisk og elektronisk udstyr. Udtjente batterier (især lithium-ion-batterier), affald af elektrisk og elektronisk udstyr indeholder værdifulde, genanvendelige materialer, som kan have en negativ effekt på miljøet og dit helbred ved ikke miljørigtig bortskaffelse. Slet inden bortskaffelsen personrelaterede data, som måtte befinde sig på dit affald af udstyret.

	Tomgangshastighed
	Spænding
	Jævnstrøm
	Europæisk konformitetsmærke
	Britisk overensstemmelsesmærkning
	Ukrainsk konformitetsmærke
	Eurasisk konformitetsmærke

TEKNISKE DATA	M18 BLHACD26
Type	Batteridrevet borhammer
Produksjonsnummer	4919 77 01 XXXXXX MJJJ
Spenning vekselbatteri	18 V ---
Enkeltlagenergi	2,6 J
Tomgangsturtall	0-1270 min ⁻¹
Lastslagtall	0-4600 min ⁻¹
Spennhals-ø	43 mm
Bor-ø i betong	26 mm
Bor-ø i stål	13 mm
Bor-ø i treverk	28 mm
Lettborkrone i tegl og kalksandstein	65 mm
Vekt i henhold til EPTA-Prosedyren 01/2014 (2,0 Ah ... 12,0 Ah)	2,8 kg ... 3,9 kg
Anbefalt omgivelsestemperatur under arbeid	-18...+50 °C
Anbefalte batterityper	M18 B...; M18 HB...
Anbefalte ladere	M12-18...; M18 DFC; M1418 C6

Støyinformasjon:

Måleverdier fastslått i samsvar med EN 62841.

Det typiske A-bedømte støynivået for maskinen er:

Lydtryknivå / Usikkerhet K	93,5 dB(A) / 3 dB(A)
Lydeffektnivå / Usikkerhet K	104,5 dB(A) / 3 dB(A)

Bruk hørselsvern.

Vibrasjonsinformasjoner: Totale svingningsverdier (vektorsum fra tre retninger) beregnet jf. EN 62841.

Svingningsemisjonsverdi $a_{h,HD}$ / Usikkerhet K

Hammerboring i betong ($a_{h,HD}$)	13,9 m/s ² / 1,5 m/s ²
Meisling ($a_{h,Cheg}$)	13,2 m/s ² / 1,5m/s ²

⚠ ADVARSEL!

De angitte vibrasjonseksponering- og støynivåverdiene har blitt målt i samsvar med standardiserte målemetoder jamfør EN 62841 og kan brukes til å sammenligne et verktøy med et annet. De kan brukes til en foreløpig eksponeringsvurdering.

Det angitte svingningsnivået representerer de hovedsaklige bruk av elektroverktøyet. Men anvendes elektroverktøyet for andre bruk med avvikende utskiftbare verktøy eller vedlikeholdet er utilstrekkelig, kan svingningsnivået være avvikende.

Dette kan forhøye svingningsbelastning betydelig over hele arbeidsperioden. For en nøyaktig vurdering av svingningsbelastningen må også det tas hensyn til tiden apparatet er avslått eller står på, men ikke er i bruk. Dette kan redusere svingningsbelastningen betydelig over hele arbeidsperioden.

Det er viktig å etablere ytterligere sikkerhetstiltak for å beskytte brukeren mot påvirkning av vibrasjon og/eller støy, slik som: vedlikehold av verktøyet og tilleggsutstyr, hold hendene varme, organiserte rutiner.

⚠ ADVARSEL! Les gjennom alle sikkerhets advarsler, anvisninger, illustrasjoner og spesifikasjoner for dette elektroverktøyet. Feil ved overholdelsen av advarslene og nedenstående anvisninger kan medføre elektriske støt, brann og/eller alvorlige skader.

Ta godt vare på alle advarslene og informasjonene.

SIKKERHETSINSTRUKSJONER FOR BORHAMMER

Sikkerhetsregler for alle arbeider

Bruk hørselsvern. Støy kan føre til tap av hørselen

Bruk de med apparatet medleverte tileggshandtak. Tap av kontrollen kan føre til skader.

Hold apparatet i de isolerte holdeflatene, når det arbeides på steder hvor elektroverktøyet kan treffe skjulte strømledninger. Kontakt med en ledning som er under spenning, kan også sette metalldele til apparatet under spenning og føre til et elektrisk slag.

Sikkerhetsinstruksjoner for bruk av borhammeren med lange bor.

Start alltid med et lavt turtall og mens borekronen er i kontakt med arbeidsstykket. Ved høyere turtall kan borekronen bli bøyd når den roterer uten kontakt med arbeidsstykket, noe som igjen kan føre til personskaade.

Utøv trykk bare i direkte posisjon mot borekronen, og ikke trykk for hardt. Borekroner kan bøye seg og brette, og dette kan igjen

føre til at du mister kontrollen over apparatet, slik at det kan oppstå personskaade.

Ytterligere sikkerhets- og arbeidsinstruksjoner

Ha på deg personlig verneutstyr. Ha alltid på deg vernebriller. Bruk av verneutstyr som til enhver tid er egnet for arbeidet skal utføres, som støvbeskyttelsesmaske, sklissikkert skotøy, vernehjelm eller hørselsvern, reduserer faren for personskaade.

Støvet som oppstår ved arbeidet er ofte helsefarlig og skal ikke komme i kontakt med kroppen. Bruk derfor vernemaske som er egnet for støv.

Materialer som er helsefarlig skal ikke bearbeides (f.eks.. asbest)

Slå av apparatet med en gang dersom det isatte verktøyet er blokkert! Ikke slå apparatet på igjen så lenge det isatte verktøyet er blokkert; her kan det oppstå et tilbakeslag med høyt reaksjonsmoment. Finn ut hvorfor det isatte verktøyet blokkerer og fjern årsaken til dette. Ta herved hensyn til sikkerhets instruksene.

Mulige årsaker til dette kan være:

- det har forkantet seg i arbeidsemnet som bearbeides
- det har brekt igjennom materialet som bearbeides
- elektroverktøyet er overbelastet

Ikke grip inn i maskinen når den står på og går.

Tilbehøret har skarpe kanter og kan bli varmt under bruken.

ADVARSEL! Fare for kutt og forbrenninger

- ved håndtering av tilbehøret
- når apparatet legges ned.

Bruk vernehansker ved håndteringen av tilbehøret.

Spon eller fliser må ikke fjernes mens maskinen er i gang.

Pass på kabler, gass- og vannledninger når du arbeider i vegger, tak eller gulv.

Klem fast arbeidsemnet med en spenninretning. Ikke sikrede arbeidsemner kan ha alvorlige helseskader og skader av material til følge.

Ta ut vekselbatteriet før du arbeider på maskinen

Ikke kast brukte vekselbatterier i varmen eller husholdningsavfallet. Milwaukee tilbyr en miljøriktig deponering av gamle vekselbatterier; vennligst spør din fagforhandler.

Ikke oppbevar vekselbatterier sammen med metallgjenstander (kortslutningsfare).

Vekselbatterier av systemet M18 skal kun lades med lader av systemet M18. Ikke lad opp batterier fra andre systemer.

Ikke åpne vekselbatterier og ladere, de skal oppbevares i tørre rom. Beskyttes mot fuktighet.

Under ekstreme belastninger og ekstreme temperaturer kan det lekke ut batterivæske fra utskiftbare batterier. Ved berøring med batterivæske, vask umiddelbart med såpe og vann. Ved kontakt med øynene må øynene skylles grundig i rennende vann i minst 10 minutter. Oppsøk lege umiddelbart.

ADVARSEL! For å unngå fare for en brann forårsaket av en kortslutning, av personskader eller skader av produktet, må det forhindres at batteripakken eller laderen dypes i væsker og også sørges for at ingen væsker kan komme inn i apparatene eller batteriene. Korroderende og ledende væsker som saltvann, visse kjemikalier og blekemidler eller produkt som inneholder blekemidler kan forårsake en kortslutning.

FORMÅLSMESSIG BRUK

Batteri-borhammeren kan brukes universelt til hammerboring i steinarter og til boring i treverk, metall og plast uavhengig av nettikopling.

Dette apparatet må kun brukes til de oppgitte formål.

RESTRISIKOER

Også ved sakkyndig bruk kan ikke alle restrisikoer utelukkes. Ved bruk kan følgende farer oppstå og som bruker spesielt skulle ta hensyn til:

- Skader forårsaket av vibrasjon.
- Hold alltid apparatet i håndtakene som er konstruert for dette og begrenns arbeids- og eksponeringstiden.
- Støy kan føre til hørselsskader.
- Bruk hørselsvern og begrenns eksponeringens varighet.
- Øyeskader forårsaket av smusspartikler. Ha alltid på deg vernebriller, tette lange bukser og solide sko.
- Innånding av giftig støv

INFORMASJON SOM GJELDER LI-ION BATTERIPAKKER

Bruk av Li-Ion batteripakker

Batterier som ikke er brukt over lengre tid skal etterlades før bruk.

En temperatur over 50°C reduserer batteriets kapasitet. Unngå oppvarming i sol eller ved varmeovner (fyring) i lengre tid.

Hold koblingskontaktene på lader og batteripakke rene.

For optimal holdbarhet må batteriene lades opp helt etter bruk.

For å oppnå en så lang brukstid som mulig, bør batteripakkene fjernes fra laderen etter opplading.

Ved lagring av batteriene lengre enn 30 dager:

Lagre batteriet tørt ved ca. 27°C.

Lagre batteriet ved en oppladningstilstand på ca. 30%-50%.

Lade opp batteriet igjen etter 6 måneder.

Overlastvern i Li-Ion batteripakker

Ved overbelastning av det oppladbare batteriet p.g.a. svært høyt strømforbruk; f.eks. ekstremt høye dreiemoment, fastklemming av boret, plutselig stopp eller kortslutning, vibrert elektroverktøyet 5 sekunder, displayet for opplading blinker og elektroverktøyet utkobler seg automatisk.

For gjeninnkobling, slipp løs bryteren og slå så på igjen.

Ved ekstreme belastninger opphører det oppladbare batteriet seg for sterkt. I slike tilfeller blinker alle lampene på displayet til batteriet er avkjølt. Når lampene har sluttet å blinke, kan man fortsette å arbeide.

Transport av Li-Ion batteripakker

Litium-ion-batterier faller under de lovfastede forskriftene om transport av farlig gods.

Transporten av disse batteriene må rette seg etter lokale, nasjonale og internasjonale forskrifter og bestemmelser.

- Forbruker har lov å transportere disse batteriene på gaten uten reglementering.
- Den kommersielle transport av Litium-ion-batterier av spedisjonsfirma faller under bestemmelsene om transport av farlig gods. Forberedningene av forsendelsen og transport skal utelukkende gjennomføres av personer som har blitt skolert til dette. Hele prosessen skal følges opp av fagfolk.

Følgende punkter skal tas hensyn til ved transport:

- Kontroller at kontaktene er beskyttet og isolert for å unngå kortslutninger.
- Pass på at batteripakken i forpakningen ikke kan skli fram og tilbake.
- Skadede eller batterier som lekket er det ikke lov å transportere.

Ta kontakt med spedisjonsfirma for ytterlige henvisninger.

ARBEIDSSINSTRUKSJONER

Ikke bruk for mye kraft når du borer eller hamrer. La borhammeren arbeide for deg.

ARBEID I KULDE

Dersom maskinen lagres over et lengre tidsrom eller ved lave temperaturer, kan smørestoffet bli seigt, og det er mulig at maskinen da ikke arbeider til å begynne med, eller ytelsen er for liten. Hvis dette skjer:

1. Sett en bor eller meisel inn i maskinen.
 2. Sett maskinen på et reststykke betong.
 3. Betjen trykkknappen en gang hvert 2-3 sekund, og slipp den igjen.
- Etter 15 sekunder til 2 minutter begynner maskinen å hamre normalt. Jo kaldere maskinen er, desto lengre tid tar det å varme den opp.

RENGJØRING:

Hold alltid luftenåpningene på maskinen rene.

VEDLIKEHOLD

Når kullbørstene er slitte bør det i tillegg til at disse skiftes ut gjennomføres en service i et serviceverksted. Dette forlenger maskinens levetid og garanterer en stadig driftsberedskap.

Bruk kun Milwaukee tilbehør og Milwaukee reservedeler. Komponenter der utskifting ikke er beskrevet skal skiftes ut hos Milwaukee kundeservice (se brosjyre garanti/kundeserviceadresser).

Ved behov kan det fås en eksplosjonstegning av apparatet hos kundeservice eller direkte hos Techtronic Industries GmbH, Max-Eyth-Straße 10, 71364 Winnenden, Germany ved angivelse av maskinens type og det sekstallige nummeret på maskinens skilt.

	Les nøye gjennom bruksanvisningen før maskinen tas i bruk.
	OBS! ADVARSEL! FARE!
	Ta ut vekselbatteriet før du arbeider på maskinen
	Bruk alltid vernebrille når du arbeider med maskinen.
	Bruk hørselsvern!
	Bruk derfor vernemaske som er egnet for støv.
	Bruk vernehansker !
	Antivibrasjonssystemet reduserer maskinens vibrasjoner på håndtaket.
	Tilbehør - inngår ikke i leveransen, anbefalt komplettering fra tilbehørsprogrammet.
	Elektrisk og elektronisk avfall skal ikke avfallshåndteres sammen med husholdningsavfallet. Brukte batterier, elektrisk og elektronisk avfall skal samles kildesortert og avfallshåndteres. Fjern brukte batterier, akkumulatorer og lysmidler fra apparatene før de kasseres. Be om informasjon hos de lokale myndighetene eller hos din fagforhandler om miljøstasjoner og samlesteder. Avhengig av de lokale bestemmelsene kan detaljhandlere være forpliktet til å ta tilbake brukte batterier, elektrisk og elektronisk avfall uten kostnader. Bidra til å redusere behovet for råmaterialer ved å sørge for gjenbruk og resirkulering av dine brukte batterier og ditt elektriske og elektroniske avfall. Brukte batterier (særlig litium-ion-batterier), elektrisk og elektronisk avfall inneholder verdifulle, gjenbrukbare materialer som ved ikke-miljøriktig avfallshåndtering kan ha negative konsekvenser for miljøet og din helse. Slett først eventuelle personrelaterte data fra det brukte apparatet før det avfallshåndteres.
	Tomgangsturtall
	Spenning
	Likestrøm
	Europeisk samsvarsmerke
	Britisk samsvarsmerke
	Ukrainsk samsvarsmerke
001	



Euroasiatisk samsvarsmerke

TEKNISKA DATA

	M18 BLHACD26
Typ	Batteridreven borrhammare
Produktionsnummer	4919 77 01 XXXXX MJJJ
Batterispänning	18 V ---
Slageffekt	2,6 J
Tomgångsvarvtal, obelastad	0-1270 min ⁻¹
Belastat slagtal	0-4600 min ⁻¹
Maskinhals diam.	43 mm
Borrdiam. in betong	26 mm
Borrdiam. in stål	13 mm
Borrdiam. in trä	28 mm
Borrkrona i tegel och kalksten	65 mm
Vikt enligt EPTA 01/2014 (2,0 Ah ... 12,0 Ah)	2,8 kg ... 3,9 kg
Rekommenderad omgivningstemperatur vid arbete:	-18...+50 °C
Rekommenderade batterityper	M18 B...; M18 HB...
Rekommenderade laddare	M12-18...; M18 DFC; M1418 C6
Bullerinformation: Mätvärdena har tagits fram baserade på EN 62841.	
A-värdet av maskinens ljudnivå utgör:	
Ljudtrycksnivå / Onoggrannhet K	93,5 dB(A) / 3 dB(A)
Ljudeffektsnivå / Onoggrannhet K	104,5 dB(A) / 3 dB(A)
Bär hörselskydd.	
Vibrationsinformation: Totala vibrationsvärden (vektorsumma ur tre riktningar) framtaget enligt EN 62841.	
Vibrationsemissionsvärde a _v / Onoggrannhet K	
Hammarboring in betong (a _{h,HD})	13,9 m/s ² / 1,5 m/s ²
Mejsla (a _{h,Cheq})	13,2 m/s ² / 1,5m/s ²

VARNING!

De deklarerade vibrations- och bullernivåerna på detta informationsblad har uppmätts i enlighet med en standardiserad testmetod enligt EN 62841 och kan användas för att jämföra ett verktyg med ett annat. Det kan användas för en preliminär bedömning av exponeringen.

Den angivna vibrationsnivån representerar den huvudsakliga användningen av det aktuella elverktyget. Men om elverktyget ska användas i andra användningsområden, tillsammans med avvikande insatsverktyg eller efter otillräckligt underhåll, kan vibrationsnivån skilja sig. Det kan öka vibrationsbelastningen betydligt under hela arbetstiden.

För att få en exaktare bedömning av vibrationsbelastningen ska även den tid beaktas, under vilken elverktyget är avstängt eller är påslaget, utan att det verkligen används. Det kan reducera vibrationsbelastningen betydligt under hela arbetstiden.

Identifiera ytterligare säkerhetsåtgärder för att skydda operatören mot effekterna av vibrationer och/eller buller såsom: underhåll av verktyget och tillbehören, hålla händerna varma, organisation av arbetsmönster.

VARNING! Läs noga igenom alla säkerhetsanvisningar, illustrationer och specifikationer som medföljer detta elverktyg. Fel som uppstår till följd av att anvisningarna nedan inte följs kan orsaka elstöt, brand och/eller allvarliga kroppsskador. Förvara alla varningar och anvisningar för framtida bruk.

SÄKERHETSANVISNINGAR FÖR BORRHAMMARE

Säkerhetsanvisningar för alla åtgärder

Bär hörselskydd. Bullerbelastning kan orsaka hörselskador.

Använd de extrahandtag som levereras tillsammans med maskinen. Förlost av kontrollen kan leda till personskador.

Håll fast apparaten med hjälp av de isolerade greppytorna när du utför arbeten där arbetsverktyget skulle kunna träffa på dolda elledningar.

Om man kommer i kontakt med en spänningsförande ledning, så kan även de delar på verktyget som är av metall bli spänningsförande och leda till att man får en elektrisk stöt.

Säkerhetsanvisningar för användning av borrhammaren med långa borrar

Starta alltid med ett lågt varvtal och medan borrhinsatsen har kontakt med arbetsstycket. Vid högre varvtal kan borrhinsatsen krökas om den roterar utan kontakt mot arbetsstycket, vilket kan leda till personskador.

Utöva alltid tryck bara i direkt inriktning mot borrhinsatsen och tryck inte alltför hårt. Borrhinsatsen kan krökas och brytas av eller leda till att användare förlorar kontrollen över apparaten, vilket kan leda till personskador.

ÖVRIGA SÄKERHETS- OCH ANVÄNDNINGSIKTRUKTIONER

Bär personlig skyddsutrustning. Bär alltid skyddsglasögon. Att bära respektive passande skyddsutrustning, som dammskyddsmask, halksäkra skor, skyddshjälm eller hörselskydd minskar risken för personskador.

Det damm som bildas under arbetets gång är ofta hälsofarligt och det ska inte komma in i kroppen. Bär därför lämplig skyddsmask.

Det är inte tillåtet att bearbeta material som kan vara hälsovadligt (t.ex. asbest).

Stäng av maskinen omedelbart om ett verktyg som används sitter fast! Sätt sedan inte på maskinen igen så länge som verktyget som används fortfarande sitter fast; risk för okontrollerade slag med högt reaktionsmoment. Ta reda på orsaken varför verktyget fastnade och åtgärda orsaken med hänsyn till säkerhetsanvisningarna.

Möjliga orsaker kan vara:

- Verktyget sitter snett i arbetsstycket
- Verktyget går igenom materialet som bearbetas
- Elverktyget är överbelastat

Gå aldrig med händerna in i en maskin som är igång.

Införingsverktyget har en vass egg och kan bli het under användning.

VARNING! Risk för skärsår och brännskador

- vid hantering av införingsverktygen
- när maskinen ställs ner.

Använd skyddshandskar när du hanterar införingsverktyg.

Avlägsna aldrig spån eller flisor när maskinen är igång.

Vid arbetenborring i vägg, tak eller golv, var alltid observant på befintliga el-, gas- eller vattenledningar.

Säkra arbetsstycket med en fastspänningsanordning. Arbetsstycken som inte är ordentligt fastspända kan leda till allvarlig kroppsskada eller annan skada.

Drag ur batteripaket innan arbete utföres på maskinen.

Kasta inte förbrukade batterier. Lämna dem till Milwaukee Tools för återvinning.

Förvara ej batteriet ihop med metallföremål, kortslutning kan uppstå.

System M18 batterier laddas endast i System M18 laddare. Ladda inte batterier från andra system.

Batterier lagras torrt och skyddas för fukt.

Under extrem belastning eller extrem temperatur kan batterivätska tränga ut ur skadade utbytesbatterier. Vid beröring med batterivätska tvätta genast av med vatten och tvål. Vid ögonkontakt spola genast i minst 10 minuter och kontakta genast läkare.

Varning! För att undvika den fara för brand, personskador eller produktskador som orsakas av en kortslutning, doppa inte ner verktyget, utbytesbatteriet eller laddaren i vätskor och se till att ingen vätska kan tränga in i apparaterna eller batterierna. Korroderande eller ledande vätskor, som saltvatten, vissa kemikalier, blekningsmedel eller produkter som innehåller blekmedel, kan orsaka en kortslutning.

ANVÄND MASKINEN ENLIGT ANVISNINGARNA

Akku-borhammaren användes universellt till hammarborring i sten, samt borra i trä, metall och plast.

Maskinen får endast användas för angiven tillämpning.

KVARSTÄENDE RISKER

Även vid föreskriftsenlig användning kan inte alla restriktioner utslutas. Vid användning kan följande faror, på vilka användaren måste vara särskilt uppmärksam:

- Personskador orsakade av vibration.
- Håll fast maskinen i de därför avsedda handtagen och begränsa arbets- och exponeringstiden.
- Bullerbelastning kan leda till hörselskador.
- Bär hörselskydd och begränsa exponeringstiden.
- Ögonskador orsakade av smutspartiklar.
- Använd alltid skyddsglasögon, kraftiga långbyxor och stabila skor.
- Inandning av giftigt damm.

ANVISNINGAR AVSEENDE LITIJONBATTERIER

Användning av litiumjonbatterier

Batteri som ej använts på länge måste laddas före nytt bruk.

En temperatur över 50°C reducerar batteriets effekt. Undvik längre uppvärmning tex i solen eller nära ett element.

Se till att anslutningskontakterna i laddaren och på det uppladdningsbara batteriet.

För att batterierna ska få lång livslängd ska de laddas fulla efter användning.

För en så lång livslängd som möjligt bör de uppladdningsbara batterierna tas ut ur laddaren efter uppladdning.

Om laddningsbara batterier lagras längre än 30 dagar:

Lagra batteriet torrt och vid ca 27°C.

Lagra batteriet vid ca 30%-50% av laddningskapaciteten.

Ladda batterierna på nytt var 6:e månad.

Batteri-överbelastningsskydd för litiumjonbatterier

Om det laddningsbara batteriet överbelastas genom en mycket hög strömförbrukning, t.ex. extremt höga vridmoment, om borren kläms fast, ett plötsligt stopp eller en kortslutning, så vibrerar elverket i 5 sekunder, laddningsindikeringen blinkar och elverket fränkopplas automatiskt.

För att sedan sätta på elverket igen släpper du tryckbrytaren och tillkopplar sedan verktyget igen.

Vid en extrem belastning blir det laddningsbara batteriet för varmt. I detta fall blinkar alla lampor på laddningsindikeringen så länge tills batteriet har svalnat. När laddningsindikeringen har slocknat kan du fortsätta med arbetet.

Transportera litiumjonbatterier

För litiumjon-batterier gäller de lagliga föreskrifterna för transport av farligt gods på väg.

Därför får dessa batterier endast transporteras enligt gällande lokala, nationella och internationella föreskrifter och bestämmelser.

- Konsumenter får transportera dessa batterier på allmän väg utan att behöva beakta särskilda föreskrifter.
- För kommersiell transport av litiumjon-batterier genom en speditorsfirma gäller emellertid bestämmelserna för transport av farligt gods på väg. Endast personal som känner till alla tillämpliga föreskrifter och bestämmelser får förbereda och genomföra transporten. Hela processen ska följas upp på fackmässigt sätt.

Följande ska beaktas i samband med transporten av batterier:

- Säkerställ att alla kontakter är skyddade och isolerade för att undvika kortslutning.
- Se till att batteripacken inte kan glida fram och tillbaka i förpackningen.
- Transportera aldrig batterier som läcker, har runnit ut eller är skadade.

För mer information vänligen kontakta din speditorsfirma.

ARBETSANVISNINGAR

Använd inte för mycket kraft när du borrar eller hamrar. Låt borhammaren arbeta för sig själv.

ARBETEN I KYLA

När maskinen lagras under en längre tid eller vid låga temperaturer kan smörjningen bli seg och det kan hända att maskinen inte arbetar till en början eller att prestandan är för låg. Om detta händer:

1. Sätt i en borr eller en mejsl i maskinen.
2. Placera maskinen på en restbit av betong.
3. Tryck på avtryckaren med ett par sekunders mellanrum och släpp den sedan.

Efter 15 sekunder upp till 2 minuter börjar maskinen arbeta normalt. Ju kallare maskinen är desto längre tid dröjer uppvärmningen.

RENGÖRING

Se till att motorhöljets luftslitsar är rena.

SKÖTSEL

Viktigt! I samband med kolbyten är en översyn på serviceverkstad att rekommendera. Detta för att höja maskinens livslängd och garantera ytterligare driftssäkerhet.

Använd endast Milwaukee-tillbehör och Milwaukee-reservdelar. Komponenter, för vilka inget byte beskrivs, skall bytas ut hos Milwaukee-kundtjänst (se broschyren garanti-/kundtjänstadresser).

Vid behov kan du rekvirera apparatens sprängskiss antingen hos kundservicen eller direkt hos Techtronic Industries GmbH, Max-Eyth-Straße 10, 71364 Winnenden, Germany. Du ska då ange maskintypen och numret på sex siffror som står på effektskylten.

SYMBOLER



Läs instruktionen noga innan du startar maskinen.



OBSERVERA! VARNING! FARA!



Drag ur batteripaket innan arbete utföres på maskinen.



Använd alltid skyddsglasögon.



Använd hörselskydd!



Bär därför lämplig skyddsmask.



Bär skyddshandskar!



Antivibrationssystemet minskar maskinens vibrationer i handtaget.



Tillbehör - Ingår ej i leveransomfånget, erhålles som tillbehör.



Förbrukade batterier och avfall som utgörs av eller innehåller elektrisk och elektronisk utrustning (WEEE) får inte slängas tillsammans med de vanliga hushållssoporna. Förbrukade batterier eller WEEE ska samlas och avfallshandteras separat. Ta ut förbrukade batterier, förbrukade ackumulatörer och ljuskällor ur produkterna innan de avfallshandteras. Kontakta den lokala myndigheten respektive kommunen eller fråga återförsäljare var det finns speciella avfallsstationer för elskrot. Beroende på de lokala bestämmelserna kan återförsäljare vara skyldiga att ta tillbaka förbrukade batterier eller WEEE gratis. Bidra till att minska behovet av råämnen genom återanvändning och återvinning av dina förbrukade batterier eller ditt WEEE. Förbrukade batterier (i synnerhet litiumjonbatterier) och WEEE innehåller värdefulla återvinningsbara material som kan skada miljön och din hälsa om de inte avfallshandteras på korrekt sätt. Tänk på att radera eventuella personuppgifter som kan finnas på din utrustning innan du lämnar den till avfallshanderingen.



Tomgångsvarvtal



Spänning



Likström



Europeiskt konformitetsmärke



Brittisk symbol för överensstämmelse



Ukrainskt konformitetsmärke



Euroasiatiskt konformitetsmärke

TEKNISET ARVOT	M18 BLHACD26	
Tyyppi	Akkuporavasara	Akkuporavasara
Tuotantnumero	4919 77 01 XXXXXX MJJJJ	
Jännite vaihtoakku	18 V →	
Yksittäisen iksun voima	2,6 J	
Kuormittamaton kierrosluku	0-1270 min ⁻¹	
Kuormitettu iskutaajuus	0-4600 min ⁻¹	
Kiinnityskaulan ø	43 mm	
Poran ø betoniin	26 mm	
Poran ø teräkseen	13 mm	
Poran ø puuhun	28 mm	
Kevytporan kärki tiilikiveen ja kalkkikiekkakiveen	65 mm	
Paino EPTA-menettelyn 01/2014mukaan (2,0 Ah ... 12,0 Ah)	2,8 kg ... 3,9 kg	
Suosittelut ympäristön lämpötila työn aikana	-18...+50 °C	
Suosittelut akkutyytit	M18 B...; M18 HB...	
Suosittelut latauslaitteet	M12-18...; M18 DFC; M1418 C6	

Melunpäästötiedot:

Mitta-arvot määritetty EN 62841 mukaan.

Koneen tyyppillinen A-luokitettu melutaso:

Melutaso / Epävarmuus K

Äänenvoimakkuus / Epävarmuus K

Käytä korvasuojia.

Tärinätiedot: Värähtelyn yhteisarvot (kolmen suunnan vektorisumma) mitattuna EN 62841 mukaan.

Värähtelyemissioarvo a_h / Epävarmuus K

Vasaraporaukseen, betoniin (a_{h,HD})

taltaus (a_{h,Cheq})

13,9 m/s² / 1,5 m/s²

13,2 m/s² / 1,5m/s²

VAROITUS!

Tässä tiedotteessa ilmoitettu (ilmoitetut) tärinä- ja melupäästöarvo(t) on mitattu standardisoidulla testimenetelmällä SFS-EN 62841 mukaisesti ja sitä voidaan käyttää työkalun vertailemiseen toisen työkalun kanssa. Sitä voidaan käyttää alustavaan altistuksen arviointiin.

Mainittu värähtelytaso edustaa sähkötyökalun pääasiallista käyttöä. Jos sähkötyökalua kuitenkin käytetään muihin tehtäviin, poikkeavin työkaluiin tai riittämättömästi huoltaen, värähtelytaso voi olla erilainen. Se voi korottaa värähtelyrasiusta koko työajan osalta.

Tarkan värähtelyrasituksen toteamiseen tulee ottaa huomioon aika, jona laite on kytketty pois tai on kylläkin päällä, mutta ei käytössä. Se voi pienentää värähtelyrasitusta koko työajan osalta.

Tunnista esimerkiksi seuraavat lisävarotoimet, joilla voidaan suojata käyttäjää tärinän ja/tai melun vaikutuksilta: työkalun ja varusteiden ylläpito, käsien lämpimänä pito, työnkulun organisointi.

VAROITUS Lue kaikki turvallisuusmääräykset, ohjeet, kuvitukset ja erittelyt, jotka toimitetaan tämän sähkötyökalun mukana. Jäljempänä annettujen ohjeiden noudattamisen laiminlyönti saattaa johtaa sähköiskuun, tulipaloon ja/tai vakavaan loukkaantumiseen.

Säilytä kaikki turvallisuus- ja muut ohjeet tulevaisuutta varten.

TURVALLISUUS OHJEET PORAVASARASSA

Turvallisuusohjeet kaikkiin toimintoihin

Käytä korvasuojia. Altistuminen melulle voi vahingoittaa kuuloa.

Käytä koneen mukana toimitettua apukahvaa. Koneen hallinnan menetyks saattaa aiheuttaa henkivahinkoja.

Pitele laitetta vain eristetyistä tarttumapinnoista, kun suoritat sellaisia töitä, joissa leikkaustyökalu saattaa osua piilossa oleviin sähköjohtoihin.

Leikkaustyökalun yhteys jännitteelliseen johtoon saattaa tehdä laitteen metalliset osat jännitteilliseksi ja aiheuttaa sähköiskun.

Turvallisuusmääräykset käytettäessä poravasaraa pitkien poranterien kanssa

Aloita työskentely aina alhaisella kierrosluvulla poraustyökalun ollessa kosketuksissa työstökappaleeseen. Suuremmalla kierrosluvulla poraustyökalu saattaa vääntyä, jos se pyörii koskettamatta työstökappaleeseen, ja tästä voi aiheutua tapaturmia.

Paina poraustyökalua aina suorassa suunnassa

				– työkaluja käytettäessä	
				– laitetta pois asetettaessa.	
				Käytä työkalujen käsittelyn aikana suojakäsineitä.	
				Lastuja tai puruja ei saa poistaa koneen käydessä.	
				Varo seinään, kattoon tai lattiaan porattaessa osumasta sähköjohtoon, kaasu- ja vesijohtoihin.	
				Varmista työstökappaleesi kiinnityslaitteella paikalleen.	
				Varmistamattomat työstökappaleet saattavat aiheuttaa vakavia vammoja ja vaurioita.	
				Ota akku pois ennen kaikkia koneeseen tehtäviä toimenpiteitä.	
				Käytettyjä vaihtoakkuja ei saa polttaa eikä poistaa normaalin jätehuollon kautta. Milwaukeella on tarjolla vanhoja vaihtoakkuja varten ympäristöystävällinen jätehuoltopalvelu.	
				Vaihtoakkuja ei saa säilyttää yhdessä metalliesineiden kanssa (oikosulkuvaara).	
				Käytä ainoastaan System M18 latauslaitetta System M18 akkujen lataukseen. Älä käytä muiden järjestelmien akkuja.	
				Vaihtoakkuja ja latauslaitteita ei saa avata. Säilytys vain kuivissa tiloissa. Suojattava kosteudelta.	
				Vaurioituneesta akusta saattaa erityisen kovassa käytössä tai poikkeavassa lämpötilassa vuotaa akkuhappoa . Ihonkohta, joka on joutunut kosketukseen akkuhapon kanssa on viipymättä pestävä vedellä ja saippualla. Silmä, johon on joutunut akkuhappoa, on huuhdeltava vedellä vähintään 10 minuutin ajan, jonka jälkeen on viipymättä hakeuduttava lääkärin apuun.	
				Varoitus! Jotta vältetään lyhytsulun aiheuttama tulipalon, loukkaantumisen tai tuotteen vahingoittumisen vaara, älä koskaan upota työkalu, vaihtoakkuja tai latauslaitetta nesteeseen ja huolehdi siitä, ettei mitään nesteitä pääse tunkeutumaan laitteiden tai akkujen sisään. Syövyttävät tai sähköä johtavat nesteet, kuten suolavesi, tietyt kemikaalit ja lalkaisuaineet tai valkaisuaineita sisältävät tuotteet voivat aiheuttaa lyhytsulun.	

TARKOITUKSEN MUKAINEN KÄYTTÖ

Akkupyöriävä, pneumaattinen vasara soveltuu yleensä kiven iskuporaukseensekä poraukseen puuhun, metalliin ja muuviin.

Älä käytä tuotetta ohjeiden vastaisesti.

JÄÄMÄRISKIT

Kaikkia jäämärkejä ei voida sulkea pois myöskään määräysten mukaisen käytön aikana. Käytössä saattaa syntyä seuraavia vaaroja, joita käyttäjän tulisi varoa erityisen huolella:

- Tärinän aiheuttamat vammat.
- Pitele laitetta tähän tarkoitettuista kahvoista ja rajoita työskentely- ja altistumisaikasi.
- Melurasitus saattaa aiheuttaa kuulovaurioita. Käytä kuulosuojaimia ja rajoita altistumisen kesto.
- Likahiukkasten aiheuttamat silmävammat.
- Käytä aina suojalaseja, pitkiä housuja ja tukevia kenkiä.
- Myrkyllisten pölyjen sisäanhengittäminen.

LI-IONIAKKUIEN OHJEITA

Li-ioniakkujen käyttö

Pitkään käyttämättä olleet paristot on ladattava ennen käyttöä.

Yli 50°C lämpötilassa akku suorituskyky heikkenee. Vältäthän akkujen säilyttämistä auringossa tai kuumissa tiloissa.

Pidä latauslaitteen ja akun liitospinnat puhtaina.

Optimaaliseen käyttöiän saavuttamiseksi akut on ladattava täyteen käytön jälkeen.

Mahdollisimman pitkän eliniän varmistamiseksi akut tulee ottaa pois latauslaitteesta lataamisen jälkeen.

Akkuja yli 30 päivää säilytettäessä:

Säilytä akku yli 27 °C:ssa ja kuivassa.

Sälytä akku sen latauksen ollessa 30 % - 50 %.

Lataa akku 6 kuukauden välein uudelleen.

Li-ioniakkujen yllälaatusuojaus

Jos akku ylikuormittuu erittäin suuren virrankulutuksen takia, esim. erittäin voimakkaiden vääntömomenttien, poranterän kiinnijuuttumisen, äkillisen pysähtymisen tai oikosulun vuoksi, niin sähkötyökalu tärisee 5 sekunnin ajan, latausnäyttö vilkkuu ja sähkötyökalu sammuu omatoimisesti.

Käynnistä laite uudelleen päästämällä katkaisinpainikkeen irti ja käynnistämällä laitteen sitten uudelleen.

Erittäin suuressa kuormituksessa akku kuumenee liikaa. Tässä tapauksessa latausnäytön kaikki lamput vilkkuvat, kunnes akku on jäähtynyt. Kun latausnäyttö on sammunut, voi työtä jatkaa.

Li-ioniakkujen kuljettaminen

Litium-ioniakut kuuluvat vaarallisten aineiden kuljetuksesta annettujen lakien piiriin.

Näiden akkujen kuljettaminen täytyy suorittaa noudattaen paikallisia, kansallisia ja kansainvälisiä määräyksiä ja säädöksiä.

- Kuluttajat saavat ilman muuta kuljettaa näitä akkuja teitä pitkin.
- Kaupallisessa kuljetuksessa huolintaliikkeiden täytyy kuljettaa litium-ioniakkuja vaarallisten aineiden kuljetuksesta annettujen määräysten mukaisesti. Ainoastaan tähän vastaavasti koulutetut henkilöt saavat suorittaa kuljetuksen valmistelutoimet ja itse kuljetuksen. Koko prosessia tulee valvoa asiantuntevasti.

Seuraavat kohdat tulee huomioida akkuja kuljetettaessa:

- Varmista, että akkujen kontaktit on suojattu ja eristetty, jotta vältetään lyhytsulut.
- Huolehdi siitä, ettei akkusarja voi luiskahtaa paikaltaan pakkauksen sisällä.
- Vahingoittuneita tai vuotavia akkuja ei saa kuljettaa.

Pyydä tarkemmat tiedot huolintaliikkeeltäsi.

TYÖSKENTELYOHJEITA

Älä käytä liikaa voimaa poratessa tai vasaroidessa. Anna poravasaran tehdä työ puolestasi.

TYÖSKENTELY KYLMÄSSÄ

Jos konetta säilytetään pitemmän aikaa tai alhaisissa lämpötiloissa, niin voitelu voi jäähmettyä eikä kone ehkä voi aluksi toimia tai sen teho on liian vähäinen. Jos näin käy:

- Pane porantera tai taltta koneeseen.
- Aseta kone betonin jäämäpalan päälle.
- Toimenna katkaisinpainike aina parin sekunnin välein ja päästä se jälleen irti.

15 sekunnin - 2 minuutin kuluttua kone alkaa toimia normaalisti. Mitä kylmempi kone on, sitä pitempään kestäää sen lämpeneminen.

PUHDISTUS

Pidä moottorin ilmanottoaukot puhtaina.

HUOLTO

Hiiltenvaihdon lisäksi jotkut muutkin huoltotoimenpiteet saattavat olla tarpeen. Koneen pitkän kestoian ja luotettavan toimintavalmiuden turvaamiseksi, suosittelemme näissä tapauksissa kääntymistä valtuutetun huoltokorjaamon puoleen.

Käytä ainoastaan Milwaukee lisätarvikkeita ja Milwaukee varosia. Mikäli jokin komponentti, jota ei ole kuvailtu, tarvitsee vaihtoa ota yhteysh johonkin Milwaukee palvelupisteistä (kts. listamme takuhuoltoliikkeiden/ palvelupisteiden osoitteista)

Tarvittaessa voit pyytää laitteen räjähdyspiirustuksen ilmoittaan konetyypin ja tyyppikilvessä olevan kuusinumeroisen luvun huoltopalvelustasi tai suoraan osoitteella Techtronic Industries GmbH, Max-Eyth-Strasse 10, 71364 Winnenden, Saksa.

	Lue käyttöohjeet huolellisesti, ennen koneen käynnistämistä.
	HUOMIO! VAROITUS! VAARA!
	Ota akku pois ennen kaikkia koneeseen tehtäviä toimenpiteitä.
	Käytä laitteella työskennellessäsi aina suojalaseja.
	Käytä kuulosuojaimia!
	Koneella työskennellessä on käytettävä sopivaa suojainta.
	Käytä suojakäsineitä!
	Tärinäkehkäisyjärjestelmä vähentää koneen kahvaan vaikuttavaa tärinää.
	Lisälaitte - Ei sisälly vakiovarustukseen, saatavana lisätarvikkeena.
	Älä hävitä käytettyjä paristoja, sähkö- ja elektroniikkaromua lajittelemattomana yhdyskuntajätteenä. Käytetyt paristot sekä sähkö- ja elektroniikkaromu on kerättävä erikseen. Käytetyt paristot, romuakut ja valonlähteet on irrotettava laitteista. Kysy paikallisilta viranomaisilta tai jälleenmyyjiltä neuvoa kierrättämiseen ja tietoa keräyspisteestä. Paikalliset säännökset saattavat velvoittaa vähittäiskauppiat ottamaan käytetyt paristot, sähkö- ja elektroniikkaromun takaisin maksutta. Panoksesi käytettyjen paristojen sekä sähkö- ja elektroniikkalaiteromun uudelleenkäytössä ja kierrätyksessä auttaa vähentämään raaka-aineiden kysyntää. Käytetyt paristot, etenkin litiumia sisältävät, sekä sähkö- ja elektroniikkaromu sisältävät arvokkaita, kierrätettäviä materiaaleja, jotka saattavat vaikuttaa haitallisesti ympäristöön ja ihmisten terveyteen, jos niitä ei hävitetä ympäristöstävällisesti. Poista mahdolliset henkilökohtaiset tiedot hävitettävästä laitteesta.
	Joutokäyntikierrosluku
	Jännite
	Tasavirta
	Euroopan säännönmukaisuusmerkki
	Iso-Britannian standardinmukaisuusmerkki
	Ukrainan säännönmukaisuusmerkki



TEKNIKA ΣΤΟΙΧΕΙΑ

	M18 BLHACD26
Κατασκευαστικό είδος	Περιστροφικό πιστολέτο μπαταρίας
Αριθμός παραγωγής	4919 77 01 XXXXXX MJJJ
Τάση ανταλλακτικής μπαταρίας	18 V ---
Ενέργεια ξεχωριστής κρούσης	2,6 J
Αριθμός στροφών χωρίς φορτίο	0-1270 min ⁻¹
Μέγιστος αριθμός κρούσεων με φορτίο	0-4600 min ⁻¹
Διάμετρος λαιμού σύσφιξης	43 mm
Διάμετρος τρύπας σε σκυρόδεμα (μπετόν)	26 mm
Διάμετρος τρύπας σε χάλυβα	13 mm
Διάμετρος τρύπας σε ξύλο	28 mm
Ελαφριά ποτηρώνα σε τούβλο και ασβεστόλιθο	65 mm
Βάρος σύμφωνα με τη διαδικασία EPTA 01/2014 (2,0 Ah ... 12,0 Ah)	2,8 kg ... 3,9 kg
Συνιστώμενη θερμοκρασία περιβάλλοντος κατά την εργασία	-18...+50 °C
Συνιστώμενοι τύποι συσσωρευτών	M18 B...; M18 HB...
Συνιστώμενες συσκευές φόρτισης	M12-18...; M18 DFC; M1418 C6
Πληροφορίες θορύβου: Τιμές μέτρησης εξακριβωμένες κατά EN 62841. Η σύφωνα με την καμπύλη A εκμηθεύσει στάθμη θορύβου του μηχανήματος αναφέρεται σε:	
Στάθμη ηχητικής πίεσης / Ανασφάλεια K	93,5 dB(A) / 3 dB(A)
Στάθμη ηχητικής ισχύος / Ανασφάλεια K	104,5 dB(A) / 3 dB(A)
Φοράτε υγροασπίδες.	
Πληροφορίες δόνησης: Υλικές τιμές κραδασμών (άθροισμα διανυσμάτων τριών διευθύνσεων) εξακριβώθηκαν σύμφωνα με τα πρότυπα EN 62841. Τιμή εκπομπής δόνησεων a _v / Ανασφάλεια K	
Τρύπημα, Σκυρόδεμα μπετόν (a _{h,HD})	13,9 m/s ² / 1,5 m/s ²
Σμίλευση (a _{h,Cheq})	13,2 m/s ² / 1,5m/s ²

ΠΡΟΕΙΔΟΠΟΙΗΣΗ!

Το αναφερόμενο στο παρόν φυλλάδιο επίπεδο τιμών δόνησης και εκπομπής θορύβου έχει μετρηθεί σύμφωνα με μια τυπική μέθοδο δοκιμών κατά το πρότυπο EN 62841 και μπορεί να χρησιμοποιηθεί για τη σύγκριση εργαλείων μεταξύ τους. Μπορεί να χρησιμοποιηθεί για μια προκαταρκτική αξιολόγηση της έκθεσης.

Το αναφερόμενο επίπεδο δόνησεων αντιπροσωπεύει τις κύριες χρήσεις του ηλεκτρικού εργαλείου. Εάν όμως το ηλεκτρικό χρησιμοποιείται σε άλλες χρήσεις, με διαφορετικά εργαλεία εφαρμογής ή ανεπαρκή συντήρηση, μπορεί να υπάρξει απόκλιση του επιπέδου δόνησεων. Αυτό μπορεί να αυξήσει σημαντικά την επιβάρυνση των δόνησεων για τη συνολική διάρκεια της εργασίας.

Για μια ακριβή εκτίμηση της επιβάρυνσης των δόνησεων οφείλουν επίσης να λαμβάνονται υπόψη οι χρόνοι, στους οποίους η συσκευή είναι απενεργοποιημένη ή είναι μεν ενεργοποιημένη αλλά δεν χρησιμοποιείται πραγματικά. Αυτό μπορεί να μειώσει σημαντικά την επιβάρυνση των δόνησεων για τη συνολική διάρκεια της εργασίας.

Ορίστε πρόσθετα μέτρα προστασίας του χειριστή από την έκθεση στη δόνηση ή/και στον θόρυβο όπως: συντήρηση του εργαλείου και των παρελκόμενων εξαρτημάτων, διατήρηση θερμότητας των χεριών, οργάνωση μοτίβων εργασίας.

ΠΡΟΕΙΔΟΠΟΙΗΣΗ! Διαβάστε όλες τις προειδοποιητικές υποδείξεις, οδηγίες, περιγραφές και προδιαγραφές γι' αυτό το ηλεκτρικό εργαλείο. Αμέλειες κατά την τήρηση των προειδοποιητικών υποδείξεων μπορεί να προκαλέσουν ηλεκτροπληξία, κίνδυνο πυρκαγιάς ή/και σοβαρούς τραυματισμούς. **Φυλάξτε όλες τις προειδοποιητικές υποδείξεις και οδηγίες για κάθε μελλοντική χρήση.**

ΟΔΗΓΙΕΣ ΑΣΦΑΛΕΙΑΣ ΓΙΑ ΠΕΡΙΣΤΡΟΦΙΚΟ ΣΦΥΡΙ

Οδηγίες ασφαλείας για όλες τις λειτουργίες

Φοράτε υγροασπίδες. Η επίδραση θορύβου μπορεί να προκαλέσει απώλεια ακοής.

Χρησιμοποιείτε με τη συσκευή τις προμηθευόμενες πρόσθετες χειρολαβές. Η απώλεια ελέγχου μπορεί να οδηγήσει σε τραυματισμό.

Να πιάνετε τη συσκευή στις μονωμένες χειρολαβές όταν εκτελείτε εργασίες κατά τις οποίες τα κοπτικά εργαλεία θα μπορούσαν να πέσουν επάνω σε κρυμμένα καλώδια ρεύματος. Η επαφή των κοπτικών εργαλείων με αγωγό τροφοδοσίας τάσης μπορεί να θέσει τα μεταλλικά τμήματα της συσκευής υπ' όσταση και να προκαλέσει ηλεκτροπληξία.

Υποδείξεις ασφαλείας για τη χρήση του κρουστικού δραπάνου με μακρύ τρυπάνι

Να ξεκινάτε πάντα με χαμηλό αριθμό στροφών κι όταν εφάπτεται το τρυπάνι στο κατεργαζόμενο τεμάχιο. Με υψηλότερο αριθμό στροφών μπορεί να λυγίσει το τρυπάνι κατά την περιστροφή άνευ επαφής στο κατεργαζόμενο τεμάχιο· πράγμα που μπορεί να οδηγήσει σε τραυματισμούς.

Να σκεπτε πίεση μόνο σε πλήρη ευθυγράμμιση με το τρυπάνι και να μην πιέζετε υπερβολικά. Στελέχη τρυπανιών θα μπορούσαν να λυγίσουν και να σπάσουν ή να οδηγήσουν σε απώλεια του ελέγχου του εργαλείου, με αποτέλεσμα να προκληθούν τραυματισμοί.

ΠΕΡΑΙΤΕΡΩ ΟΔΗΓΙΕΣ ΑΣΦΑΛΕΙΑΣ ΚΑΙ ΧΡΗΣΕΩΣ

Να χρησιμοποιείτε προσωπικό εξοπλισμό ασφαλείας. Να φοράτε πάντα προστατευτικά γυαλιά. Η χρησιμοποίηση του εκάστοτε κατάλληλου εξοπλισμού ασφαλείας, όπως προστατευτική προσωπίδα κατά της σκόνης, αντλιοθηρικά υποδήματα, προστατευτικό κράνος ή προστατευτικά της ακοής, μειώνει τον κίνδυνο τραυματισμού.

Η σκόνη που δημιουργείται κατά την εργασία είναι συχνά επιβλαβής για την υγεία και δεν επιτρέπεται να έλθει στο σώμα. Να φοράτε κατάλληλη μάσκα προστασίας από σκόνη.

Μην επεξεργάζεστε επικίνδυνα για την υγεία υλικά (π.χ. αμιάντος).

Σε περίπτωση μπλοκαρίσματος της αρίδας απενεργοποιήστε αμέσως τη συσκευή! Μην ενεργοποιείτε εκ νέου τη συσκευή όσο η αρίδα είναι μπλοκαρισμένη. Σ' αυτή τη περίπτωση θα μπορούσε να προκύψει υψηλή ροπή αντίδρασης. Βρείτε την αιτία του μπλοκαρίσματος της αρίδας και ξεμπλοκαρέτε την λαμβάνοντας υπόψη τις οδηγίες ασφαλείας.

Πιθανές αιτίες:

- Η αρίδα μάνγκωσε με το προς κατεργασία κομμάτι.
- Στάσιμο του προς κατεργασία υλικού.
- Υπερφόρτιση του ηλεκτρικού εργαλείου.

Μην απλώνετε τα χέρια σας στην επικίνδυνη περιοχή της μηχανής όταν είναι σε λειτουργία.

Το ένθετο εργαλείο είναι αιχμηρό και μπορεί να ζεσταίνεται πολύ κατά τη διάρκεια της εφαρμογής.

ΠΡΟΣΟΧΗ! Κίνδυνος κοψίματος και εγκαύματος

- κατά το χειρισμό των ένθετων εργαλείων
- κατά την απόθεση του εργαλείου.

Κατά το χειρισμό των ένθετων εργαλείων να φοράτε προστατευτικά γάντια.

Τα γρέζια ή οι σκλήθρες δεν επιτρέπεται να απομακρύνονται όσο η μηχανή βρίσκεται σε λειτουργία.

Κατά τις εργασίες σε τοίχο, οροφή ή δάπεδο προσέχετε για τυχόν ηλεκτρικά καλώδια και για σωλήνες αερίου και νερού.

Ασφαλίστε το προς κατεργασία κομμάτι στη μέγγενη ή με μια άλλη διάταξη στερέωσης. Μη ασφαλισμένα προς κατεργασία κομμάτια μπορεί να προκαλέσουν σοβαρούς τραυματισμούς και ζημιές.

Πριν από κάθε εργασία στη μηχανή αφαιρείτε την ανταλλακτική μπαταρία.

Μην πετάτε τις μεταχειρισμένες ανταλλακτικές μπαταρίες στη φωτιά ή στα οικιακά απορρίμματα. Η Milwaukee προσφέρει μια απόσυρση των παλιών ανταλλακτικών μπαταριών σύμφωνα με τους κανόνες προστασίας του περιβάλλοντος, ρωτήστε παρακαλώ σχετικά στο ειδικό κατάστημα πώλησης.

Μην αποθηκεύετε τις ανταλλακτικές μπαταρίες μαζί με μεταλλικά αντικείμενα (κίνδυνος βραχυκυκλώματος).

Φορτίστε τις ανταλλακτικές μπαταρίες του συστήματος M18 μόνο με φορτιστές του συστήματος M18. Μη φορτίζετε μπαταρίες από άλλα συστήματα.

Μην ανοίγετε τις ανταλλακτικές μπαταρίες και τους φορτιστές και χρησιμοποιείτε για αποθήκευση μόνο στεγνούς χώρους. Προστατεύετε τις ανταλλακτικές μπαταρίες και τους φορτιστές από την υγρασία.

Όταν υπάρχει υπερβολική καταπόνηση ή υψηλή θερμοκρασία μπορεί να τρέξει υγρό μπαταρίας από τις χαλασμένες επαναφορτιζόμενες μπαταρίες. Αν έρθετε σε επαφή με υγρό μπαταρίας να πλυθείτε αμέσως με νερό και σαπούνι. Σε περίπτωση επαφής με τα μάτια να πλυθείτε σχολαστικά για τουλάχιστον 10 λεπτά και να αναζητήσετε αμέσως ένα γιατρό.

Προειδοποίηση! Για να αποτρέπεται τον κίνδυνο πυρκαγιάς λόγω βραχυκυκλώματος, τραυματισμούς ή ζημιές του προϊόντος, να μη βυθίζετε το εργαλείο, τον ανταλλακτικό συσσωρευτή ή τη συσκευή φόρτισης σε υγρά και να φροντίζετε, ώστε να μη διεισδύουν υγρά στις συσκευές και τους συσσωρευτές. Διαβρωτικές ή αγώγιμες υγρές ουσίες, όπως αλατόνερο, ορισμένες χημικές ουσίες και λευκαντικά ή προϊόντα που περιέχουν λευκαντικά, μπορεί να προκαλέσουν βραχυκύκλωμα.

ΧΡΗΣΗ ΣΥΜΦΩΝΑ ΜΕ ΤΟ ΣΚΟΠΟ ΠΡΟΟΡΙΣΜΟΥ

Το κρουστικό τρυπάνι με μπαταρία μπορεί να χρησιμοποιηθεί γενικά για κρουστικό τρύπημα σε πετρώματα και για τρύπημα σε ξύλο, μέταλλο και πλαστικό ανεξάρτητα από το αν υπάρχει παροχή ρεύματος.

Αυτή η συσκευή επιτρέπεται να χρησιμοποιηθεί μόνο σύμφωνα με τον αναφερόμενο σκοπό προορισμού.

ΥΠΟΛΕΙΠΟΜΕΝΟΙ ΚΙΝΔΥΝΟΙ

Ακόμη και σε κανονική χρήση δεν μπορούν να αποκλείονται όλοι οι υπολειπόμενοι κίνδυνοι. Κατά τη χρήση θα μπορούσαν να προκύψουν οι ακόλουθοι κίνδυνοι, στους οποίους θα έπρεπε να δίνει ο χειριστής ιδιαίτερη προσοχή:

- Τραυματισμοί που προκύπτουν από δονήσεις. Να κρατάτε το μηχάνημα από τις προβλεπόμενες για το σκοπό αυτό χειρολαβές και να περιορίζετε το χρόνο εργασίας και έκθεσης.
- Η ηχορύπανση μπορεί να οδηγήσει σε ακουστικά τραύματα. Να φοράτε προστατευτικά ακούς και να περιορίζετε τη διάρκεια έκθεσης.
- Τραυματισμοί των οφθαλμών που προκύπτουν από ρυπογόνα σωματίδια. Να φοράτε πάντα προστατευτικά γυαλιά, μακρύ, ενισχυμένο παντελόνι και ενισχυμένα υποδήματα.
- Εισπνοή δηλητηριώδους σκόνης.

ΥΠΟΔΕΙΞΕΙΣ ΓΙΑ ΕΠΑΝΑΦΟΡΤΙΖΟΜΕΝΕΣ ΜΠΑΤΑΡΙΕΣ ΙΟΝΤΩΝ ΛΙΘΙΟΥ

Χρήση επαναφορτιζόμενων μπαταριών ιόντων λιθίου

Επαναφορτίζετε τις μπαταρίες που δεν έχουν χρησιμοποιηθεί για μεγαλύτερο χρονικό διάστημα πριν τη χρήση.

Μια θερμοκρασία πάνω από 50°C μειώνει την ισχύ της μπαταρίας. Αποφύγετε τη θέρμανση για μεγαλύτερο χρονικό διάστημα από τον ήλιο ή τις συσκευές θέρμανσης.

Διατηρείτε τις επαφές σύνδεσης στο φορτιστή και την επαναφορτιζόμενη μπαταρία καθαρές.

Για μια άριστη διάρκεια ζωής πρέπει μετά τη χρήση οι μπαταρίες να φορτιστούν πλήρως.

Για μια κατά το δυνατόν μεγάλη διάρκεια ζωής θα έπρεπε να αφαιρεθούν οι επαναφορτιζόμενες μπαταρίες από το φορτιστή μετά τη φόρτιση.

Για την αποθήκευση της μπαταρίας για διάστημα μεγαλύτερο των 30 ημερών:

Αποθηκεύετε τη μπαταρία περ. στους 27°C σε στεγνό χώρο. Αποθηκεύετε τη μπαταρία περ. στο 30%-50% της κατάστασης φόρτισης.

Κάθε 6 μήνες φορτίζετε εκ νέου τη μπαταρία.

Προστασία υπερφόρτισης επαναφορτιζόμενων μπαταριών ιόντων λιθίου

Σε υπερφόρτιση της μπαταρίας από πολύ υψηλή κατανάλωση ρεύματος, π. χ. από ακραίες υψηλές ροπές περιστροφής, μπλοκάρισμα του τρυπανιού, ξαφνικό στοπ ή βραχυκύκλωμα, δονείται το ηλεκτρικό εργαλείο για 5 δευτερόλεπτα, αναβοσβήνει η ένδειξη φόρτισης και το ηλεκτρικό εργαλείο απενεργοποιείται αυτόματα.

Για μια νέα ενεργοποίηση, αφήνετε ελεύθερο το διακόπτη και στη συνέχεια ενεργοποιείτε εκ νέου.

Κάτω από ακραίες καταπονήσεις θερμαίνεται πάρα πολύ η μπαταρία. Στην περίπτωση αυτή αναβοσβήνουν όλες οι λάμπες της ένδειξης φόρτισης μέχρι να έχει κρυθεί η μπαταρία. Μετά το σβήσιμο της ένδειξης φόρτισης μπορεί να συνεχιστεί η συνεργασία.

Μεταφορά επαναφορτιζόμενων μπαταριών ιόντων λιθίου

Οι μπαταρίες ιόντων λιθίου υπόκεινται στις απαιτήσεις των νομικών διατάξεων για την μεταφορά επικινδύνων εμπορευμάτων.

Η μεταφορά τέτοιων μπαταριών πρέπει να πραγματοποιείται τηρώντας τους τοπικούς, εθνικούς και διεθνείς κανονισμούς και τις αντίστοιχες διατάξεις.

- Επιτρέπεται η μεταφορά τέτοιων μπαταριών στο δρόμο χωρίς περαιτέρω απαίτηση.
- Η εμπορική μεταφορά μπαταριών ιόντων λιθίου από εταιρείες μεταφορών υπόκειται στις απαιτήσεις των νομικών διατάξεων για την μεταφορά επικινδύνων εμπορευμάτων. Οι προετοιμασίες αποστολής και η μεταφορά πραγματοποιούνται αποκλειστικά από ειδικά εκπαιδευμένα πρόσωπα. Η συνολική διαδικασία συνοδεύεται από εξειδικευμένο προσωπικό.

Κατά τη μεταφορά μπαταριών ιόντων λιθίου πρέπει να προσέχετε

τα εξής:

- Φροντίστε τα σημεία επαφών να είναι προστατευμένα και μονωμένα ώστε να αποφευχθούν βραχυκυκλώματα.
- Προσέξτε το πακέτο μπαταριών να είναι σταθερό μέσα στη συσκευασία και να μη γλιστρά.
- Η μεταφορά μπαταριών που παρουσάζουν φορτές ή διαρροές δεν επιτρέπεται.

Για περισσότερες πληροφορίες απευθυνθείτε στην εταιρεία μετάρων.

Μην καταβάλλετε μεγάλη δύναμη κατά τη διάτρηση ή σφυρηλάτηση. Αφήστε να εργάζεται το σφυροτύπανο για σας.

ΕΡΓΑΣΙΕΣ ΜΕ ΚΡΥΟ

Σε περίπτωση που αποθηκεύεται το μηχάνημα για μεγάλο χρονικό διάστημα σε χαμηλές θερμοκρασίες, μπορεί να γίνεται η λίπανση πολύ παχύρρευστη κι αρχικά να μην εργάζεται το μηχάνημα ή να έχει πολύ χαμηλή ισχύ. Όταν συμβεί αυτό:

1. Τοποθετείτε ένα τρυπάνι ή καλέμι στο μηχάνημα.
2. Θέτετε το μηχάνημα πάνω σ' ένα απομεινάρι σκυροδέματος.
3. Πιέζετε τη σκανδάλη κάθε δυο δευτερόλεπτα και την αφήνετε πάλι ελεύθερη.

Μετά από 15 δευτερόλεπτα έως 2 λεπτά αρχίζει το μηχάνημα να σφυροκοπεί κανονικά. Όσο πιο κρύο είναι το μηχάνημα, τόσο περισσότερο διαρκεί το ζέσταμα.

ΚΑΘΑΡΙΣΜΟΣ

Διατηρείτε πάντοτε τις σχισμές εξερισμού της μηχανής καθαρές.






ΣΥΝΤΗΡΗΣΗ






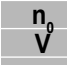






Σε περίπτωση που οι ψήκτρες (καρβουνάκια) είναι φθαρμένες πρέπει εκτός της αλλαγής τους να εκτελεστεί και ένα σέρβις σε ένα συμβεβλημένο συνεργείο. Αυτό μεγάλώνει τη διάρκεια ζωής της μηχανής και εγγυάται μια συνεχή ετοιμότητα λειτουργίας.

Χρησιμοποιείτε μόνο αξεσουάρ Milwaukee και ανταλλακτικά Milwaukee. Εξαρτήματα, που η αλλαγή τους δεν περιγράφεται, αντικαθίστανται σε μια τεχνική υποστήριξη της Milwaukee (βλέπε φυλλάδιο εγγύηση/ διευθύνσεις τεχνικής υποστήριξης).

Σε περίπτωση που το χρειαστείτε μπορείτε να παραγγείλετε λεπτομερές σχέδιο της συσκευής αναφέροντας τον τύπο και τον εξαψήφιο αριθμό που βρίσκεται στην πινακίδα τεχνικών χαρακτηριστικών από την εξυπηρέτηση πελατών ή απευθείας από την TechnTronic Industries GmbH, διεύθυνση Max-Eyth-Straße 10, 71364 Winnenden, Germany.

ΣΥΜΒΟΛΑ

	Παρακαλώ διαβάστε σχολαστικά τις οδηγίες χρήσης πριν από την έναρξη λειτουργίας.
	ΠΡΟΣΟΧΗ! ΠΡΟΕΙΔΟΠΟΙΗΣΗ! ΚΙΝΔΥΝΟΣ!
	Πριν από κάθε εργασία στη μηχανή αφαιρείτε την ανταλλακτική μπαταρία.
	Στις εργασίες με τη μηχανή φοράτε πάντοτε προστατευτικά γυαλιά.
	Φοράτε προστασία ακοής (ωσαστίδες)!

	Να φοράτε κατάλληλη μάσκα προστασίας από σκόνη.
	Να φοράτε προστατευτικά γάντια!
	Το αντικραδασμικό σύστημα μειώνει τους κραδασμούς στη χειρολαβή τής μηχανής.
	Εξαρτήματα - Δεν περιλαμβάνονται στα υλικά παράδοσης, συνιστούμενη προσθήκη από το πρόγραμμα εξαρτημάτων.
	Απόβλητα ηλεκτρικών στηλών και ηλεκτρικού και ηλεκτρονικού εξοπλισμού δεν επιτρέπεται να απορρίπτονται μαζί με τα οικιακά απορρίμματα. Απόβλητα ηλεκτρικών στηλών και ηλεκτρικού και ηλεκτρονικού εξοπλισμού πρέπει να συλλέγονται και να απορρίπτονται ξεχωριστά. Πριν την απόρριψη να αφαιρείτε ηλεκτρικές στήλες, συσσωρευτές και λαμπτήρες από τον εξοπλισμό. Ενημερωθείτε από τις τοπικές υπηρεσίες ή από ειδικευμένους εμπόρους σχετικά με κέντρα ανακύκλωσης και συλλογής απορριμμάτων. Ανάλογα με τους τοπικούς κανονισμούς μπορεί να είναι οι έμποροι λιανικής πώλησης υποχρεωμένοι, να παίρνουν πίσω απόβλητα ηλεκτρικών στηλών και ηλεκτρικού και ηλεκτρονικού εξοπλισμού δωρεάν. Συμβάλλετε κι εσείς μέσω επαναχρησιμοποίησης και ανακύκλωσης των αποβλήτων των ηλεκτρικών στηλών, και του ηλεκτρικού και ηλεκτρονικού εξοπλισμού σας στη μείωση της ζήτησης πρώτων υλών. Απόβλητα ηλεκτρικών στηλών (προπαντός ηλεκτρικών στηλών ιόντων λιθίου) και ηλεκτρικού και ηλεκτρονικού εξοπλισμού περιέχουν πολύτιμες, επαναχρησιμοποιήσιμες ύλες που μπορεί να βλάπτουν το περιβάλλον και την υγεία σας κατά τη μη περιβαλλοντικώς ορθή διάθεσή τους. Πριν την απόρριψη να διαγράφετε δεδομένα προσωπικού χαρακτήρα που πιθανόν να υπάρχουν στα απόβλητα του εξοπλισμού σας.
	Αριθμός στροφών ρελαντί
	Τάση
	Συνεχές ρεύμα
	Ευρωπαϊκό σήμα πιστότητας
	Βρετανικό σήμα πιστότητας
	Ουκρανικό σήμα πιστότητας
	Ευρασιατικό σήμα πιστότητας

TEKNİK VERİLER	M18 BLHACD26
Modeli	Akü matkap çekici
Üretim numarası	4919 77 01 XXXXX MJJJ
Kartuş akü gerilimi	18 V ---
Tek darbe enerjisi	2,6 J
Boşta ki devir sayısı	0-1270 min ⁻¹
Yükteki darbe sayısı	0-4600 min ⁻¹
Germe boynu çapı	43 mm
Delme çapı beton	26 mm
Delme çapı çelikte	13 mm
Delme çapı tahta	28 mm
Tuğla ve kireçli kum taşında hafif kaya ucu ile	65 mm
Ağırlığı ise EPTA-üretici 01/2014'e göre (2,0 Ah ... 12,0 Ah)	2,8 kg ... 3,9 kg
Çalışma sırasında tavsiye edilen ortam sıcaklığı	-18...+50 °C
Tavsiye edilen akü tipleri	M18 B...; M18 HB...
Tavsiye edilen şarj aletleri	M12-18...; M18 DFC; M1418 C6

Gürültü bilgileri: Ölçüm değerleri EN 62841 e göre belirlenmektedir.

Aletin, frekansa bağımlı uluslararası ses basıncı seviyesi değerlendirme eğrisi A'ya göre tipik gürültü seviyesi:

Ses basıncı seviyesi / Tolerans K

Akustik kapasite seviyesi / Tolerans K

Koruyucu kulaklık kullanın.

Vibrasyon bilgileri: Toplam titreşim değeri (Üç yönün vektör toplamı) EN 62841'e göre belirlenmektedir.

Titreşim emisyon değeri a_n / Tolerans K

Delme, beton (a_{h,HD})

Keskileme (a_{h,Cheg})

93,5 dB(A) / 3 dB(A)

104,5 dB(A) / 3 dB(A)

13,9 m/s² / 1,5 m/s²

13,2 m/s² / 1,5m/s²

⚠ UYARI!

Bu bilgi formunda belirtilen titreşim ve gürültü düzeyi EN 62841 uyarınca standart bir test yöntemine göre ölçülmüş olup, bir aleti diğeriyle karşılaştırmak için kullanılabilir. Bir maruz kalma ön değerlendirmesi için de kullanılabilir.

Belirtilen titreşim seviyesi, elektrikli el aletin genel uygulamaları için geçerlidir. Ancak elektrikli el aleti başka uygulamalar için, farklı eklenti parçalarıyla ya da yetersiz bakım koşullarında kullanılırsa, titreşim seviyesi farklılık gösterebilir. Bu durumda, titreşim yükü toplam çalışma zaman aralığı içerisinde belirgin ölçüde yükselebilir.

Titreşim yükünün tam bir değerlendirmesi için ayrıca cihazın kapalı olduğu süreler ve cihazın çalışır durumda olduğu, ancak gerçek kullanımda bulunmadığı süreler de dikkate alınmalıdır. Böylelikle, toplam çalışma zamanı aralığı boyunca meydana gelen titreşim yükü belirgin ölçüde azaltılabilir.

Operatörü titreşim ve/veya gürültünün etkilerinden korumak için, aletin ve aksesuarların bakımını yapmak, elleri sıcak tutmak ve çalışma biçimlerini düzenlemek gibi ilave güvenlik önlemleri belirleyin.

⚠ UYARI! Bu elektrikli el aletiyle ilgili bütün uyarıları, talimat hükümlerini, gösterimleri ve spesifikasyonları okuyun. Aşağıda açıklanan talimat hükümlerine uyulmadığı taktirde elektrik çarpmalarına, yangınlara ve/veya ağır yaralanmalara neden olunabilir.

Bütün uyarıları ve talimat hükümlerini ileride kullanmak üzere saklayın.

KIRICI İÇİN GÜVENLİK TALİMATLARI

Tüm işlemler için güvenlik talimatları

Koruyucu kulaklık kullanın. Çalışırken çıkan gürültü işitme kayıplarına neden olabilir.

Aletle birlikte teslim edilen ek tutamakları kullanın. Aletin kontrol den çıkması kazalara neden olabilir.

Kesme aletinın eğrimsiz elektrik kabloları isabet eden çalışmalar yapılırken cihazı izole edilmiş kollarından tutun.

Kesme aletinın içinden elektrik akımı geçen kablo ile temas etmesi durumunda elektrik akımı cihazın metal kısımlarına geçer ve elektrik çarpmasına sebebiyet verebilir.

Uzun matkap uçlu delici-kırcı matkabın kullanılmasıyla ilgili güvenlik uyarıları

Matkap ucu iş parçasına temas ettiğinde daima düşük bir devirle başlayınız. Daha yüksek devirlerde matkap ucu, iş parçasına temas etmeden döndüğünde eğilebilir ve bu da yaralanmalara neden olabilir.

Daima sadece doğru olan matkap ucunun yönüne doğru basıncı uygulayınız ve fazla sızı bastırmayınız. Matkap uçları bükülebilir ve kırılabilir veya cihazın kontrolünün kaybedilmesine neden olabilirler. Bu da yaralanmalara sebebiyet verebilir.

EK GÜVENLİK VE ÇALIŞMA TALİMATLARI

Kişisel koruyucu donanım kullanınız. Her zaman koruyucu bir gözlük kullanın. Tozdan koruyucu maske, kaymayan ayakkabılar, koruyucu baret, kulaklı gibi duruma uygun koruyucu donanımın kullanılması yaralanma riskini azaltır.

Çalışma sırasında ortaya çıkan toz genellikle sağlığa zararlıdır ve bedeninize temas etmemelidir. Uygun bir koruyucu toz maskesi kullanın

Sağlık tehlikelerine neden olan malzemelerin işlenmesi yasaktır (örn. asbest).

Uca yerleştirilen takımın bloke olması halinde lütfen cihazı hemen kapatın! Uca yerleştirilen takım bloke olduğu sürece cihazı tekrar

çalıştırmayın; bu sırada yüksek reaksiyon momentine sahip bir ger tepme meydana gelebilir. Uca yerleştirilen takımın neden bloke olduğuna bakın ve bu durumu güvenlik uyarılarına dikkat ederek gidin.

Olası nedenler şunlar olabilir:

- İşlenen parça içinde takılma
- İşlenen malzemenin delinmesi
- Elektrikli alete aşırı yük binmesi

Ellerinizi çalışmakta olan makinenin içine uzatmayın.

Uç keskin kenarlıdır ve kullanım sırasında ısınabilir.

İKAZ! Kesme ve yanma tehlikesi

– uçların kullanımı sırasında

– cihazın bırakılması sırasında

Uçları kullanırken eldiven giyiniz.

Alet çalışır durumda iken talaş ve kırpıntıları temizlemeye çalışmayın.

Duvar, tavan ve zeminde delik açarken elektrik kablolarına, gaz ve su borularına dikkat edin.

İşlenen parçayı bir germe tertibatıyla emniyete alın. Emniyete alınmayan iş parçaları ağır yaralanmalar ve hasarlara neden olabilir.

Aletin kendinde bir çalışma yapmadan önce kartuş aküyü çıkarın.

Kullanılmış kartuş aküleri ateşe veya ev çöplerine atmayın.

Milwaukee, kartuş akülerin çevreye zarar vermeyecek biçimde tasfiye edilmesine olanak sağlayan hizmet sunar; lütfen bu konuda yetkili satıcınızdan bilgi alın.

Kartuş aküleri metal parça veya eşyalarla birlikte saklamayın (kısa devre tehlikesi).

C18 sistemli kartuş aküleri sadece M18 sistemli şarj cihazları ile şarj edin. Başka sistemli aküleri şarj etmeyin.

Kartuş aküleri ve şarj cihazını açmayın ve sadece kuru yerlerde saklayın. Neme ve ıslanmaya karşı koruyun.

Aşırı zorlanma veya aşırı ısınma sonucu hasar gören kartuş akülerden batarya sıvısı dışarı akabilir. Batarya sıvısı ile temasa gelen yerleri hemen bol su ve sabunla yıkayın. Batarya sıvısı gözünüze kaçacak olursa en azından 10 dakika yıkayın ve zaman geçirmeden bir hekime başvurun.

Uyarı! Bir kısa devreden kaynaklanan yangın, yaralanma veya ürün hasarları tehlikesini önlemek için aleti, güç paketini veya şarj cihazını asla sıvıların içine daldırmayınız ve cihazların ve pillerin içine sıvı girmesini önleyiniz. Tuzlu su, belirli kimyasallar, ağartıcı madde veya ağartıcı madde içeren ürünler gibi korozif veya iletken sıvılar kısa devreye neden olabilir.

KULLANIM

Bu akülü kırıcı-delici, tahta kırma; tahta, metal ve plastikte delme işleri için çok yönlü kullanılabilir.

Bu alet sadece belirttiği gibi ve usulüne uygun olarak kullanılabilir.

KALAN RİSKLER

Usulüne uygun kullanım durumunda da bütün kalan riskler ortadan kaldırılamaz. Kullanım sırasında, kullanıcının özellikle dikkat etmesi gerektiği aşağıdaki tehlikeler oluşabilir:

- Titreşimden dolayı oluşan yaralanmalar. Cihazı bunun için öngörülen kulplardan tutun ve çalışma ve maruz kalam sürelerini sınırlandırın.
- Gürültü yükü işitme zararlarına neden olabilir. Kulaklık takın ve maruz kalma süresini sınırlandırın.
- Kir parçacıklarından dolayı oluşan göz yaralanmaları. Daima koruyucu gözlük, sağlam uzun pantolon ve sağlama ayakkabılar giyiniz.
- Zehirli tozların solunması.

LİTYUM İYON PİLLER İÇİN AÇIKLAMALAR

Lityum iyon pillerin kullanılması

Uzun süre kullanım dışı kalmış aküleri kullanmadan önce şarj edin. 50°C üzerindeki sıcaklıklar akünün performansını düşürür. Akünün güneş ışığı veya mekân sıcaklığı altında uzun süre ısınmamasına dikkat edin.

Şarj cihazı ve aküdeki bağlantı kontaklarını temiz tutun.

Akünün ömrünün mükemmel bir şekilde uzun olması için kullandıktan sonra tamamen doldurulması gerekir.

Ömrünün mümkün olduğu kadar uzun olması için akülerin şarj ettirildikten sonra şarj cihazından çıkartılması gerekir.

Akünün 30 günden daha fazla depolanması halinde: Aküyü takriben 27°C'de kuru olarak depolayın. Aküyü yüklemeye durumunun takriben % 30 - %50 olarak depolayın. Aküyü her 6 ay yeniden doldurun.

Lityum iyon pillerin aşırı pil şarj koruması

Pek fazla elektrik tüketiminden dolayı, örneğin aşırı fazla devir momentleri, matkapların sıkışması, aniden durma veya kısa devre gibi aküye aşırı yüklenme durumunda elektro cihazı 5 saniye titreşir, yüklemeye göstergesi yanıp söner ve elektro cihaz kendiliğinden durur. Yeniden çalıştırmak için şalter basısını serbest bırakın ve bundan sonra tekrar çalıştırın. Akü aşırı yüklenmeden dolayı fazla ısınır. Bu durumda akü soğuyana kadar yüklemeye göstergesinin bütün lambaları yanıp söner. Gösterge lambalarının sönmelerinden sonra tekrar çalışmaya devam edilebilir.

Lityum iyon pillerin taşınması

Lityum iyon piller tehlikeli madde taşımacılığı hakkındaki yasal hükümler tabidir.

Bu piller, bölgesel, ulusal ve uluslararası yönetmeliklere ve hükümlere uyularak taşınmak zorundadır.

- Tüketici bu pilleri herhangi bir özel şart aranmaksızın karayoluyla taşıyabilirler.
- Lityum iyon pillerin nakliye şirketleri tarafından ticari taşımacılığı için tehlikeli madde taşımacılığının hükümleri geçerlidir. Sevk hazırlığı ve taşıma sadece ilgili eğitimi görmüş personel tarafından gerçekleştirilebilir. Bütün süreç uzmanca bir refakatçilik altında gerçekleştirilmek zorundadır.

Pillerin taşınması sırasında aşağıdaki hususlara dikkat edilmesi gerekmektedir:

- Kısa devre oluşmasını önlemek için kontakların korunmuş ve izole edilmiş olmasını sağlayınız.
- Pil paketinin ambalajı içinde kaymamasına dikkat ediniz.
- Hasarlı veya akmış pillerin taşınması yasaktır.

Ayrıca bilgiler için nakliye şirketinize başvurunuz.

ÇALIŞMA AÇIKLAMALARI

Delme veya kırma için aşırı kuvvet uygulamayın. İşi delici-kırcı matkaba yaptırın.

SOĞUK HAVALARDA ÇALIŞMAK

Makine uzun süre veya düşük sıcaklıklarda muhafaza edildiğinde, yağlama maddesi kıvamı koyulaşabilir ve makinenin ilk başta çalışmaması ve gücünün düşük olması mümkün olabilir. Böyle durumlarda:

- Matkap veya kırıcı ucu makineye takınız.
 - Makineyi artık bir parça betona dayayınız.
 - Şaltere birkaç saniyede bir basın ve tekrar bırakınız.
- 15 saniye ile 2 dakika arası bir süre sonra makine normal şekilde kırma modunda çalışmaya başlayacaktır. Makine ne kadar soğuk olursa, ısınması o kadar uzun sürer.

TEMİZLEME

Aletin havalandırma aralıklarını daima temiz tutun.

BAKIM

Önemli açıklama! Yıpranan kömür fırçalar bir müşteri servisinde değiştirilmelidir. Bu sayede aletin kullanım ömrü uzar ve alet daima çalışmaya hazır olur.

Sadece Milwaukee aksesuarı ve yedek parçası kullanın. Nasıl değiştirileceği açıklanmamış olan yapı parçalarını bir Milwaukee müşteri servisinde değiştirin (Garanti ve servis adresi broşürüne dikkat edin).

Gerektiğinde cihazın ayrıntılı çizimini, güç levhası üzerindeki makine modelini ve altı haneli rakamı belirterek müşteri servisinden veya doğrudan Techtronic Industries GmbH, Max-Eyth-Straße 10, 71364 Winnenden, Germany adresinden isteyebilirsiniz.

SEMBOLLER

	Lütfen aleti çalıştırmadan önce kullanma kılavuzunu dikkatli biçimde okuyun.
	DİKKAT! UYARI! TEHLİKE!
	Aletin kendinde bir çalışma yapmadan önce kartuş aküyü çıkarın.
	Aletle çalışırken daima koruyucu gözlük kullanın.
	Koruyucu kulaklık kullanın!
	Uygun bir koruyucu toz maskesi kullanın
	Koruyucu eldivenlerinizi takınız!
	Titreşimleri önleme sistemi, makinenin tutma kulpündaki titreşimleri azaltmaktadır.
	Aksesuar - Teslimat kapsamında değildir, önerilen tamamlamalar aksesuar programında.



Atık pillerin, atık elektrikli ve elektronik eşyaların evsel atıklarla birlikte bertaraf edilmesi yasaktır. Atık piller, atık elektrikli ve elektronik eşyalar ayrılarak biriktirilmeli ve bertaraf edilmelidirler. Bertaraf etmeden önce cihazların içindeki atık pilleri, atık akümülatörleri ve lambaları çıkartınız. Yerel makamlara veya satıcınıza geri dönüşüm tesisleri ve atık toplama merkezlerinin yerlerini danışınız. Yerel yönetmeliklere göre perakende satıcılar atık pilleri, atık elektrikli ve elektronik eşyaları ücret talep etmeden geri almak zorunda olabilirler. Atık pillerinizi, atık elektrikli ve elektronik eşyalarınızı tekrar kullanarak ve geri dönüşüme vererek ham madde gereksiniminin az tutulmasına katkıda bulununuz. Atık piller (özellikle lityum iyon piller), atık elektrikli ve elektronik eşyalar, çevreye uygun şekilde bertaraf edilmediklerinde çevre ve sağlığınız üzerinde olumsuz etkilere neden olabilirler, tekrar kullanılabilir malzemeler içerirler. Bertaraf etmeden önce atık eşyanız içinde mevcut olabilen şahsınızla ilgili bilgileri siliniz.



Rölanlı



Volтаж



Doğru akım



Avrupa uyumluluk işareti



Britanya Uygunluk işareti



Ukrayna uyumluluk işareti



001



Avrasya uyumluluk işareti



001



001



001

TECHNICKÁ DATA

	M18 BLHACD26
Typ	Aku vrtací kladiva
Výrobní číslo	4919 77 01 XXXXXX MJJJJ
Napětí výměnného akumulátoru	18 V ---
Jednorázová energie	2,6 J
Volnoběžné otáčky	0-1270 min ⁻¹
Počet úderů	0-4600 min ⁻¹
ø upínacího krčku	43 mm
Vrtací ø v betonu	26 mm
Vrtací ø v oceli	13 mm
Vrtací ø v dřevě	28 mm
Lehké vrtací korunky do cihel a pískovce	65 mm
Hmotnost podle prováděcího předpisu EPTA 01/2014 (2,0 Ah ... 12,0 Ah)	2,8 kg ... 3,9 kg
Doporučená okolní teplota při práci	-18...+50 °C
Doporučené typy akumulátorů	M18 B...; M18 HB...
Doporučené nabíječky	M12-18...; M18 DFC; M1418 C6

Informace o hluku:

Naměřené hodnoty odpovídají EN 62841.

V třídě A posuzovaná hladina hluku přístroje činí typicky:

Hladina akustického tlaku / Kolísavost K

93,5 dB(A) / 3 dB(A)

Hladina akustického výkonu / Kolísavost K

104,5 dB(A) / 3 dB(A)

Používejte chrániče sluchu.

Informace o vibracích: Celkové hodnoty vibrací (vektorový součet tří směrů) zjištěné ve smyslu EN 62841.

Hodnota vibračních emisí a_n / Kolísavost K

Vrtání v betonu (a_{h,HD})

13,9 m/s² / 1,5 m/s²

Sekání (a_{h,Cheq})

13,2 m/s² / 1,5m/s²

VAROVÁNÍ!

Hladina vibrací a emisí hluku uvedená v tomto informačním listu byla měřena v souladu se standardizovanou zkouškou uvedenou v normě EN 62841 a může být použita ke srovnání jednoho nástroje s jiným. Může být použita k předběžnému posouzení expozice.

Uvedená úroveň chvění představuje hlavní účely použití elektrického nářadí. Jestliže se ale elektrické nářadí používá pro jiné účely, s odlišnými nástroji nebo s nedostatečnou údržbou, může se úroveň chvění odlišovat. To může značně zvýšit zatížení chvěním během celé pracovní doby.

Pro přesný odhad zatížení chvěním se musí také zohlednit časy, během kterých je přístroj vypnutý nebo kdy je sice v chodu, ale skutečně se s ním nepracuje. To může zatížení chvěním během celé pracovní doby značně snížit.

Identifikujte dodatečná bezpečnostní opatření k ochraně pracovníka obsluhy před účinky vibrací a/nebo hluku, například: údržba nástroje a příslušenství, udržování rukou v teple, organizace pracovních schémat.

VAROVÁNÍ! Přečtěte si všechna výstražná upozornění, pokyny, zobrazení a specifikace pro toto elektrické nářadí.

Zanedbání při dodržování výstražných upozornění a pokynů uvedených v následujícím textu může mít za následek zásah elektrickým proudem, způsobit požár a/nebo těžké poranění.

Všechna varovná upozornění a pokyny do budoucna uschovejte.

BEZPEČNOSTNÍ POKYNY PRO BOURACÍHO Kladiva

Bezpečnostní pokyny pro všechny operace

Používejte chrániče sluchu. Působením hluku může dojít k poškození sluchu.

Používejte doplňková madla dodávaná s přístrojem. Nedostatečným držetím by mohlo dojít ke zranění.

Při provádění prací, při kterých nástroj může narazit na skryta elektrická vedení, držte přístroj za izolované přidržovací plošky. Kontakt řezného nástroje s vedením pod napětím může vést k přenosu napětí na kovové části přístroje a k úrazu elektrickým proudem.

Bezpečnostní pokyny na používání vrtacího kladiva s dlouhými vrtáky

Vždy začněte vrtat při nízkých otáčkách a s hrotem v kontaktu s obrobkem. Při vyšších rychlostech se může vrták prohýbat, když se točí a není v kontaktu s obrobkem, což může vést k poranění.

Tlačte pouze přímo ve směru osy vrtáku a nevyvíjejte přílišný tlak. Vrtáky se mohou ohnout a prasknout, nebo by mohlo dojít ke ztrátě kontroly a k následnému poranění.

DALŠÍ BEZPEČNOSTNÍ A PRACOVNÍ POKYNY

Noste osobní ochranné prostředky. Vždy noste ochranné brýle. Nošení vhodných ochranných pomůcek, jako jsou ochranná protiprachová maska, protiskluzová obuv, ochranná přilba nebo ochrana sluchu, snižuje riziko zranění.

Prach vznikající při práci s tímto nářadím může být zdraví škodlivý. Proto by neměl přijít do styku s tělem. Používejte při práci vhodnou ochranou masku.

Nesmíjí se opracovávat materiály, které mohou způsobit ohrožení zdraví (např. azbest)

Při zablokování nasazeného nástroje přístroj okamžitě vypněte! Přístroj nezapínejte, pokud je nasazený nástroj zablokovaný; mohl by při tom vzniknout zpětný náraz s vysokým reakčním momentem. Zjistěte příčinu zablokování nasazeného nástroje a odstraňte ji při dodržení bezpečnostních pokynů.

Možnými příčinami mohou být:

- vzpříčení v opracovávaném obrobku
- přelomení opracovávaného materiálu
- přetížení elektrického přístroje

Nezasahujte do běžícího stroje.

Nasazený nástroj má ostré hrany a během používání se může zahřát.

VAROVÁNÍ! Nebezpečí pořezání a popálení

- při manipulaci s nasazovanými nástroji
- při odkládání zařízení.

Při manipulaci s nasazovanými nástroji používejte ochranné rukavice.

Pokud stroj běží, nesmí být odstraňovány třísky nebo odštěpky.

Při vrtání do zdi, stropu nebo podlahy dávat pozor na elektrické kabely, plynová a vodovodní potrubí.

Obrobek zabezpečte upínacím zařízením. Nezabezpečené obrobky mohou způsobit těžká poranění a poškození.

Před zahájením veškerých prací na vrtacím šroubováku vyjmout výměnný akumulátor.

Použitě nevyhazujte do domovního odpadu nebo do ohně. Milwaukee nabízí ekologickou likvidaci starých článků, ptejte se u vašeho obchodníka s nářadím.

Náhradní akumulátor neskladujte s kovovými předměty, nebezpečí zkratu.

Akumulátor systému M18 nabíjejte pouze nabíječkou systému M18. Nenabíjejte akumulátory jiných systémů.

Náhradní akumulátory ani nabíječku neotvírejte, skladujte je v suchu, chraňte před vlhkem.

Při extrémní zátěži či vysoké teplotě může z akumulátoru vytékat kapalina. Při zasažení touto kapalinou okamžitě zasažená místa omyjte vodou a mýdlem. Při zasažení očí okamžitě důkladně po dobu alespoň 10min. omývat a neodkladně vyhledat lékaře.

Varování! Abyste zabránili nebezpečí požáru způsobeného zkratem, poraněním nebo poškozením výrobku, nepoňoujte nářadí, výměnnou baterii nebo nabíječku do kapalín a zajistěte, aby do zařízení a akumulátorů nevnikly žádné tekutiny. Korodující nebo vodivé kapaliny, jako je slaná voda, určité chemikálie a bělicí prostředky nebo výrobky, které obsahují bělidlo, mohou způsobit zkrat.

OBLAST VYUŽITÍ

Akumulátorový vrtací kladivo je univerzálně použitelné k vrtání s přiklepem do kamene a k vrtání do dřeva, kovu a plastu.

Toto zařízení lze používat jen pro uvedený účel.

ZBYTKOVÁ RIZIKA

Ani při řádném používání není možné vyloučit všechna zbývající rizika. Při používání mohou vzniknout níže uvedená rizika, na která by měla obsluha dávat zvlášť pozor:

- Poranění způsobená vibrací. Přístroj držte pouze za určená držadla a omezte čas práce a expozice.
- Zatížení hlukem může vést k poškození sluchu. Noste ochranu sluchu a omezte dobu expozice.
- Poranění očí způsobená částečkami nečistot. Vždy noste ochranné brýle, pevně dlouhé kalhoty a pevnou obuv.
- Vdechnutí jedovatých druhů prachu.

UPOZORNĚNÍ NA LITHIUM-IONTOVÉ BATERIE

Použití lithiium-iontových baterií

Déle nepoužívané akumulátory je nutné před použitím znovu nabít.

Teplota přes 50°C snižuje výkon akumulátoru. Chraňte před dlouhým přehříváním na slunci či u topení.

Připojovací kontakty nabíječky a akumulátoru udržujte v čistotě.

Pro optimální životnost je nutné akumulátory po použití plně dobít.

K zabezpečení dlouhé životnosti by se akumulátory měly po nabíti vyjmout z nabíječky.

Při skladování akumulátoru po dobu delší než 30 dní:

Skladujte akumulátor v suchu při cca 27°C. Skladujte akumulátor při cca 30%-50% nabíjecí kapacity. Opakujte nabíjení akumulátoru každých 6 měsíců.

Ochrana proti přetížení u lithiium-iontových baterií

Při přetížení akumulátoru příliš vysokou spotřebou proudu, například při extrémně vysokém kroutícím momentu, při zaseknutí vrtáku, náhlém zastavení nebo zkratu, začne elektrické nářadí po dobu 5 sekund vibrovat, indikátor dobíjení začne blikat a motor se následně samočinně vypne.

K opětnému zapnutí uvolněte a následně opět stiskněte tlačítkový vypínač.

Při extrémním zatížení dochází k příliš vysokému ohřevu akumulátoru. V tomto případě začnou blikat všechny kontrolky indikátoru dobíjení a blikají tak dlouho, dokud se akumulátor opět neochladí.

V okamžiku, kdy indikátor dobíjení přestane blikat, je možné v práci opět pokračovat.

Přeprava lithiium-iontových baterií

Lithiium-iontové baterie spadají podle zákonných ustanovení pod přepravu nebezpečného nákladu.

Přeprava těchto baterií se musí realizovat s dodržováním lokálních, vnitrostátních a mezinárodních předpisů a ustanovení.

- Spotřebitelé mohou tyto baterie bez problémů přepravovat po komunikacích.
- Komerční přeprava lithiium-iontových baterií prostřednictvím přepravních firem podléhá ustanovením o přepravě nebezpečného nákladu. Přípravu k vyexpedování a samotnou přepravu směji vykonávat jen příslušně vyškolené osoby. Na celý proces se musí odborně dohlížet.

Při přepravě baterií je třeba dodržovat následující:

- Zajistěte, aby kontakty byly chráněné a izolované, aby se zamezilo zkratům.
- Dávejte pozor na to, aby se svazek baterií v rámci balení nemohl sesmeknout.
- Poškozené a vyteklé baterie se nesmějí přepravovat.

Ohledně dalších informací se obraťte na vaši přepravní firmu.

PRACOVNÍ POKYNY

Při vrtání nebo práci s vrtacím kladivem nevyvíjejte příliš velkou sílu. Nechte vrtací kladivo udělat práci za vás.

PRÁCE V CHLADU

Když je nářadí uskladněno delší dobu nebo je uskladněno při nízkých teplotách, mazivo může ztuhnout a může se stát, že nářadí zpočátku nechce fungovat nebo jeho výkon je příliš nízký. Když se to stane:

1. Na nářadí nasadte vrták nebo sekáč.
2. Nářadí přiložte ke zbytkovému kusu betonu.
3. Vždy na několik sekund stiskněte tlačítko spínače a následně jej znovu pusťte.

Po 15 sekundách až 2 minutách začne nářadí normálně fungovat. Čím je nářadí studenější, tím déle trvá jeho zahřátí.

ČIŠTĚNÍ

Větrací štěrbinu nářadí udržujeme stále čisté.

ÚDRŽBA

Při obroušení uhlíků je nutná jejich výměna v odborném servisu. Zaručuje to i prodloužení životnosti stroje a jeho spolehlivost v provozu.

Používat výhradně příslušenství Milwaukee a náhradní díly Milwaukee. Díly jejichž výměny nebyla popsána, nechte vyměnit v autorizovaném servisu (viz. "Záruky / Seznam servisních míst")

V případě potřeby si můžete v servisním centru pro zákazníky nebo přímo od firmy Techtronic Industries GmbH, Max-Eyth-Straße 10, 71364 Winnenden, Německo vyžádat schematický nákres jednotlivých dílů přístroje, když uvedete typ přístroje a šestimístné číslo na výkonovém štítku.

SYMBOLY

	Před spuštěním stroje si pečlivě pročtěte návod k používání.
	POZOR! VAROVÁNÍ! NEBEZPEČÍ!
	Před zahájením veškerých prací na vrtacím šroubováku vyjmout výměnný akumulátor.
	Při práci se strojem neustále nosit ochranné brýle.
	Používejte chrániče sluchu!
	Používejte při práci vhodnou ochranou masku.
	Používejte ochranné rukavice!
	Antivibrační systém redukuje vibrace stroje na rukojeti.
	Příslušenství není součástí dodávky, viz program příslušenství.



Odpadní baterie a odpadní elektrická a elektronická zařízení se nesmějí likvidovat společně s domovním odpadem. Odpadní baterie a odpadní elektrická a elektronická zařízení je nutné sbírat a likvidovat odděleně.

Před likvidací odstraňte ze zařízení odpadní baterie, odpadní akumulátory a osvětlovací prostředky.

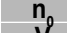






Informujte se na místních úřadech nebo u vašeho odborného prodejce ohledně recyklačních dvůrů a sběrných míst.

Podle místních ustanovení mohou maloobchodní prodejci být povinni bezplatně odebrat zpět odpadní baterie a odpadní elektrická a elektronická zařízení.

Opětovným použitím a recyklací vašich odpadních baterií a vašich odpadních elektrických a elektronických zařízení přispíváte ke snížování potřeby surovin.

Odpadní baterie (především lithiium-iontové baterie), odpadní elektrická a elektronická zařízení obsahují cenné, opětovně použitelné materiály, které při ekologické likvidaci nemohou mít negativní účinky na životní prostředí a vaše zdraví.

Před likvidací pokud možno vymažte na vašem odpadním přístroji existující osobní údaje.

	Otáčky při chodu naprázdno
	Napětí
	Stejnoseměrný proud
	Značka shody v Evropě
	Britská značka shody
	Značka shody na Ukrajině
	Značka shody pro oblast Eurasie

TECHNICKÉ ÚDAJE		M18 BLHACD26
Typ	Akumulátorové vrtacie kladivo	Akumulátorové vrtacie kladivo
Výrobné číslo	4919 77 01 XXXXXX MJJJJ	
Napätie výmenného akumulátora	18 V ---	
Energia jedného úderu	2,6 J	
Otáčky naprázdno	0-1270 min ⁻¹	
Počet úderov pri záťaži	0-4600 min ⁻¹	
Priemer upínacieho hrdla	43 mm	
Priemer vrtu do betónu	26 mm	
Priemer vrtu do ocele	13 mm	
Priemer vrtu do dreva	28 mm	
Vrtacia korunka na ľahké vrtanie do tehly a vápencového pieskovca	65 mm	
Hmotnosť podľa výkonávacieho predpisu EPTA 01/2014 (2,0 Ah ... 12,0 Ah)	2,8 kg ... 3,9 kg	
Odporúčaná okolitá teplota pri práci	-18...+50 °C	
Odporúčané typy akupaku	M18 B...; M18 HB...	
Odporúčané nabíjačky	M12-18...; M18 DFC; M1418 C6	

Informácia o hluku: Namerané hodnoty určené v súlade s EN 62841.

V triede A posudzovaná hladina hluku prístroja činí typicky:

Hladina akustického tlaku / Kolísavosť K

Hladina akustického výkonu / Kolísavosť K

Používajte ochranu sluchu.

Informácie o vibráciách: Celkové hodnoty vibrácií (vektorový súčet troch smerov) zistené v zmysle EN 62841.

Hodnota vibračných emisií a_v / Kolísavosť K

Vrtanie do betónu (a_{v,HD})

Osekávanie (a_{v,Ched})

93,5 dB(A) / 3 dB(A)

104,5 dB(A) / 3 dB(A)

13,9 m/s² / 1,5 m/s²

13,2 m/s² / 1,5m/s²

⚠ POZOR!

Úroveň vibrácií a emisií hluku uvedená v tomto informačnom liste bola meraná v súlade so štandardizovanou skúškou uvedenou v EN 62841 a môže sa použiť na porovnanie jedného nástroja s druhým. Môže sa použiť v predbežnom posúdení expozície.

Uvedená úroveň vibrácií reprezentuje hlavné aplikácie elektrického náradia. Ak sa však elektrické náradie používa pre iné aplikácie, s odlišnými vloženými nástrojmi alebo s nedostatočnou údržbou, môže sa úroveň vibrácií líšiť. Toto môže kmitavé namáhanie v priebehu celej pracovnej doby podstatne zvýšiť.

Pre presný odhad kmitavého namáhania by sa mali tiež zohľadniť doby, v ktorých je náradie vypnuté alebo je sice v chode, ale v skutočnosti sa nepoužíva. Toto môže kmitavé namáhanie v priebehu celej pracovnej doby zreteľne redukovať.

Identifikujte dodatočné bezpečnostné opatrenia na ochranu pracovníka obsluhy pred účinkami vibrácií a/alebo hluku, ako je: údržba nástroja a príslušenstva, udržanie teplých rúk, organizácia pracovných schém.

⚠ VAROVANIE! Prečítajte si všetky výstražné upozornenia, pokyny, znázornenia a špecifikácie pre toto elektrické náradie. Zanedbanie pri dodržiavaní výstražných upozornení a pokynov uvedených v nasledujúcim texte môže mať za následok zásah elektrickým prúdom, spôsobiť požiar a/alebo ťažké poranenie. **Tieto výstražné upozornenia a bezpečnostné pokyny starostlivo uschovajte na budúce použitie.**

BEZPEČNOSTNÉ POKYNY PRE Kladiva

Bezpečnostné pokyny pre všetky operácie

Používajte ochranu sluchu. Pôsobenie hluku môže spôsobiť stratu sluchu.

Používajte prídavné rukoväte dodané spolu s prístrojom. Strata kontroly nad strojom môže viesť k zraneniu.

Pri realizovaní prác, pri ktorých nástroj môže naraziť na skryté elektrické vedenia, držte prístroj za izolované pridrôzovacie plošky.

Kontakt rezného nástroja s vedením pod napätím môže viesť k prenosu napätia na kovové časti prístroja a k úrazu elektrickým prúdom.

Bezpečnostné pokyny na používanie vrtacieho kladiva s dlhými vrtákmi

Prístroj vždy spúšťajte s nízkymi otáčkami a počas toho, ako sa vrták nachádza v kontakte s obrobkom. Pri vyšších otáčkach sa môže vrták ohnúť, keď sa točí k obrobku bez kontaktu, čo môže viesť k zraneniam.

Tlak vyvíjajte vždy iba v priamom nasmerovaní k vrtáku a prístroj nepritláčajte príliš pevne. Vrtáky sa môžu ohnúť a zlomiť alebo môžu viesť k strate kontroly nad prístrojom, čím môže znova dôjsť k zraneniam.

ĎALŠIE BEZPEČNOSTNÉ A PRACOVNÉ POKYNY

Noste osobné ochranné prostriedky. Vždy noste ochranné okuliare. Nosenie vhodných ochranných pomôcok, akými sú ochranná protiprachová maska, protišmyková obuv, ochranná prilba alebo ochrana sluchu, znižuje riziko zranenia.

Prach vznikajúci pri práci môže byť škodlivý zdraviu. Pri práci nosiť vhodnú ochrannú masku, aby sa nedostal do ľudského organizmu.

Nesmú sa opracovávať materiály, ktoré môžu spôsobiť ohrozenie zdravia (napr. azbest)

Pri zablokovaní nasadeného nástroja prístroj okamžite vypnite! Prístroj nezapínajte, pokiaľ je nasadený nástroj zablokovaný; mohol by pri tom vzniknúť spätný náraz s vysokým reakčným momentom. Príčinu zablokovania nasadeného nástroja zistíte a odstránite so zohľadnením bezpečnostných pokynov.

Možnými príčinami môžu byť:

- spriechenenie v opracovávanom obrobku
- prelomenie opracovávaného materiálu
- preťaženie elektrického prístroja

Nezasahujte do bežiacieho stroja.

Nasadený nástroj má ostré hrany a počas používania sa môže zahriať.

VÝSTRAHA! Nebezpečenstvo porezania a popálenia

- pri manipulácii s nasadzovanými nástrojmi
- pri odkladaní zariadenia.

Pri manipulácii s nasadzovanými nástrojmi používajte ochranné rukavice.

Triesky alebo úlomky sa nesmú odstraňovať za chodu stroja.

Pri práci v stene, strope alebo v podlahe dávajte pozor na elektrické káble, plynové a vodovodné potrubia.

Obrobok zabezpečte upínacím zariadením. Nezabezpečené obrobky môžu spôsobiť ťažké poranenia a poškodenia.

Pred každou prácou na stroji výmenný akumulátor vytiahnuť.

Opotrebované výmenné akumulátory nezahadzujte do ohňa alebo medzi domový odpad. Milwaukee ponúka likvidáciu starých výmenných akumulátorov, ktorá je v súlade s ochranou životného prostredia; informujte sa u Vášho predajcu.

Výmenné akumulátory neskladovať spolu s kovovými predmetmi (nebezpečenstvo skratu).

Výmenné akumulátory systému M18 nabíjajú len nabíjacími zariadeniami systému M18. Akumulátory iných systémov týmto zariadením nenabíjajú.

Výmenné akumulátory a nabíjacie zariadenia neotvárajte a skladovať len v suchých priestoroch. Chrániť pred vlhkosťou.

Pri extrémnych záťažoch alebo extrémnych teplotách môže dôjsť k vytečeniu batérovej tekutiny z poškodeného výmenného akumulátora. Ak dôjde ku kontaktu pokožky s roztokom, postihnuté miesto umyť vodou a mydlom. Ak sa roztok dostane do očí, okamžite ich dôkladne vypláchnuť po dobu min. 10 min a bezodkladne vyhľadať lekára.

Varovanie! Aby ste zabránili nebezpečenstvu požiaru spôsobeného skratom, poraneniam alebo poškodeniam výrobku, neponárajte náradie, výmennú batériu alebo nabíjačku do kvapalín a postarajte sa o to, aby do zariadení a akumulátorov nevnikli žiadne tekutiny. Korodujúce alebo vodivé kvapaliny, ako je slaná voda, určité chemikálie a bieliace prostriedky alebo výrobky, ktoré obsahujú bielidlo, môžu spôsobiť skrat.

POUŽITIE PODLA PREDPISOV

AKU-vrtacie kladivo je univerzálne použiteľné na sekanie do kameňa a na vrtanie do dreva, kovu a plastu nezávisle od sieťovej prípojky.

Tento prístroj sa smie používať len v súlade s uvedenými predpismi.

ZVÝŠKOVÉ RIZIKÁ

Aj pri riadnom používaní nie je možné vylúčiť všetky zvyškové riziká. Pri používaní môžu vzniknúť nasledovné nebezpečenstvá, na ktoré by mala obsluha dávať zvlášť pozor:

- Poranenia spôsobené vibráciou. Prístroj držte iba za určené držadlá a obmedzte čas práce a expozície.
- Zafaženie hlukom môže viesť k poškodeniam sluchu. Noste ochranu sluchu a obmedzte dobu expozície.
- Poranenia očí spôsobené čistočkami nečistôt. Vždy noste ochranné okuliare, pevné dlhé nohavice a pevnú obuv.
- Vdýchnutie jedovatých druhov prachu.

UPOZORNENIE NA LÍTIUM-IÓNOVÉ BATÉRIE

Použitie lítium-iónových batérií

Dlhší čas nepoužívané akumulátory pred použitím nabiť.

Teplota vyššia ako 50°C znižuje výkon akumulátora. Zabráňte dlhšiemu ohriatiu slnkom alebo kúrením.

Prípajacie kontakty na nabíjacom zariadení a akumulátore udržiavajte čisté.

Pre optimálnu životnosť je nutné akumulátory po použití plne dobiť.

K zabezpečeniu dlhej životnosti by sa akumulátory mali po nabíí vybrať z nabíjačky.

Pri skladovaní akumulátora po dobu dlhšiu než 30 dní:

Skladujte akumulátor v suchu pri cca 27°C.

Skladujte akumulátor pri cca 30%-50% nabíjacej kapacity.

Opakujte nabíjanie akumulátora každých 6 mesiacov.

Ochrana proti preťaženiu pri lítium-iónových batériách

Pri preťažení akumulátora príliš vysokou spotrebou prúdu, napríklad pri extrémne vysokom krútiacom momente, pri zaseknutí vrtáka, náhlom zastavení alebo skrate, začne elektrické náradie po dobu 5 sekúnd vibrovať, indikátor dobíjania začne blikať a motor sa následne samovoľne vypne.

K opätovnému zapnutiu uvoľníte a následne opäť stlačíte tlačidlovú vypínač.

Pri extrémnom zaťažení dochádza k príliš vysokému ohrevu akumulátora.

V tomto prípade začnú blikať všetky kontrolky indikátora dobíjania a blikať tak dlho, dokiaľ sa akumulátor opäť neochladi.

V okamihu, keď indikátor dobíjania prestane blikať, je možné v práci opäť pokračovať.

Preprava lítium-iónových batérií

Lítio-iónové batérie podľa zákonných ustanovení spadajú pod prepravu nebezpečného nákladu.

Preprava týchto batérií sa musí realizovať s dodržiavaním lokálnych, vnútroštátnych a medzinárodných predpisov a ustanovení.

- Spotrebiteľia môžu tieto batérie bez problémov prepravovať po cestách.
- Komerčná preprava lítio-iónových batérií prostredníctvom špedičných firiem podlieha ustanoveniam o preprave nebezpečného nákladu. Prípravu k vyexpedovaniu a samotnú prepravu smú vykonávať iba adekvátne vyškolené osoby. Na celý proces sa musí odborné dohliadať.

Pri preprave batérií treba dodržiavať nasledovné:

- Zabezpečte, aby boli kontakty chránené a izolované, aby sa zamedzilo skratom.
- Dávajte pozor na to, aby sa zväzok batérií v rámci balenia nemohol zošmyknúť.
- Poškodené a vytečené batérie sa nesmú prepravovať.

Kvôli ďalším informáciám sa obráťte na vašu špedičnú firmu.

PRACOVNÉ POKYNY

Pri vrtaní alebo práci s vrtacím kladivom nevyvíjajte príliš veľkú silu. Nechajte vrtacie kladivo urobiť prácu za vás.

PRÁCA V CHLADE

Keď je náradie uskladnené dlhší čas alebo je uskladnené pri nízkych teplotách, mazivo môže stuhnúť a môže sa stať, že náradie na začiatku nechce fungovať alebo jeho výkon je príliš nízky. Keď sa to stane:

1. Na náradie nasaďte vrták alebo sekáč.
2. Náradie priložte k zvýšenému kusu betónu.
3. Vždy na niekoľko sekúnd stlačte tlačidlo spínača a následne ho znova pustíte.

Po 15 sekundách až 2 minútach začne náradie normálne fungovať. Čím je náradie studensšie, tým dlhšie trvá, kým sa zohreje.

CISTENIE

Vetracie otvory udržovať stále v čistote.

ÚDRZBA

Pri opotrebovaných uhlíkových kefách by sa mala vykonať okrem výmeny uhlíkových kief v zákaznickom centre aj prehliadka prístroja. Toto predlžuje životnosť prístroja a zaručuje stálu funkčnosť.

Používať len Milwaukee príslušenstvo a Milwaukee náhradné diely. Súčiastky bez návodu na výmenu treba dať vymeniť v jednom z Milwaukee zákaznických centier (viď brožúru Záruka/Adresy zákaznických centier).

V prípade potreby si môžete v servisnom centre pre zákazníkov alebo priamo od firmy Techtronic Industries GmbH, Max-Eyth-Straße 10, 71364 Winnenden, Nemecko, vyžiadať schematický náčrt jednotlivých dielov prístroja pri uvedení typu prístroja a šesťmiestneho čísla na výkonovom štítku.

SYMBOLY

	Pred prvým použitím prístroja si pozorne prečítajte návod na obsluhu.
	POZOR! NEBEZPEČENSTVO!
	Pred každou prácou na stroji výmenný akumulátor vytiahnuť.
	Pri práci so strojom vždy noste ochranné okuliare.
	Používajte ochranu sluchu!
	Pri práci nosiť vhodnú ochrannú masku, aby sa nedostal do ľudského organizmu.
	Používajte ochranné rukavice!
	Antivibračný systém redukuje vibrácie stroja na rukoväti.
	Príslušenstvo - nie je súčasťou štandardnej výbavy, odporúčané doplnenie z programu príslušenstva.



Použitie batérie a odpad z elektrických a elektronických zariadení sa nesmie likvidovať spolu s domovým odpadom. Použitie batérie a odpad z elektrických a elektronických zariadení treba zbierať a likvidovať oddelene. Pred likvidáciou odstráňte zo zariadení použité batérie, použité akumulátory a osvetľovacie prostriedky. Informujte sa pri miestnych úradoch alebo u vášho odborného predajcu oňadom recyklačných dvorov a zberných miest. Podľa miestnych ustanovení môžu maloobchodní predajcovia byť povinní bezplatne zobrať späť použité batérie a odpad z elektrických a elektronických zariadení. Opätovným použitím a recykláciou vašich použitých batérií a vášho odpadu z elektrických a elektronických zariadení prispievate k zníženiu potreby surovín. Použitie batérie (predovšetkým lítium-iónové batérie), odpad z elektrických a elektronických zariadení obsahuje cenné, opätovne použiteľné materiály, ktoré pri ekologickej likvidácii nemôžu mať negatívne účinky na životné prostredie a vaše zdravie. Pred likvidáciou podľa možnosti vymažte na vašom použitom prístroji existujúce osobné údaje.

	Otáčky pri chode naprázdno
	Napätie
	Jednosmerný prúd
	Značka zhody v Európe
	Britská značka zhody
	Značka zhody na Ukrajine
	Značka zhody pre oblasť Eurázie

DANE TECHNICZNE

M18 BLHACD26	
Typ	Młotkiewiartarka akumulatorowa
Numer produkcyjny	4919 77 01 XXXXXX MJJJJ
Napięcie baterii akumulatorowej	18 V ---
Energia pojedynczego uduaru	2,6 J
Prędkość bez obciążenia	0-1270 min ⁻¹
Częstotliwość uduaru przy obciążeniu	0-4600 min ⁻¹
Średnica szyjki uchwytu	43 mm
Zdolność wiercenia w betonie	26 mm
Zdolność wiercenia w stali	13 mm
Zdolność wiercenia w drewnie	28 mm
Koronka wiertnicza lekka do cegieł i wapienia	65 mm
Ciężar wg procedury EPTA 01/2014 (2,0 Ah ... 12,0 Ah)	2,8 kg ... 3,9 kg
Zalecana temperatura otoczenia w trakcie pracy	-18...+50 °C
Zalecane rodzaje akumulatora	M18 B...; M18 HB...
Zalecane ładowarki	M12-18...; M18 DFC; M1418 C6

Informacja dotycząca szumów: Zmierzone wartości wyznaczone zgodnie z normą EN 62841.

Poziom szumów urządzenia oszacowany jako A wynosi typowo:

Poziom ciśnienia akustycznego / Niepewność K

93,5 dB(A) / 3 dB(A)

Poziom mocy akustycznej / Niepewność K

104,5 dB(A) / 3 dB(A)

Stosować środki ochrony słuchu!

Informacje dotyczące vibracji: Wartości łączne drgań (suma wektorowa trzech kierunków) wyznaczone zgodnie z normą EN 62841.

Wartość emisji drgań $a_{h,ND}$ / Niepewność K

13,9 m/s² / 1,5 m/s²

Wiercenie w betonie ($a_{h,HD}$)

13,2 m/s² / 1,5m/s²

Dłutowanie ($a_{h,Chęg}$)

⚠ OSTRZEŻENIE!

Poziom drgań i emisji hałasu podany w niniejszej instrukcji zmierzono zgodnie ze standardową metodą badania wg EN 62841 i można ją wykorzystać do porównania narzędzia z innym narzędziem. Można go wykorzystać przy wstępnej ocenie narażenia.

Podany poziom drgań reprezentuje główne zastosowania elektronarzędzia. Jeśli jednakże elektronarzędzie użyte zostanie do innych celów z innymi narzędziami roboczymi lub nie jest dostatecznie konserwowane, wtedy poziom drgań może wykazywać odchylenia. Może to wyraźnie zwiększyć obciążenie wibracjami przez cały okres pracy.

Dla dokładnego określenia obciążenia wibracjami należy uwzględnić również czasy, w których urządzenie jest wyłączone względnie jest włączone, lecz w rzeczywistości nie pracuje. Może to spowodować wyraźną redukcję obciążenia wibracyjnego w całym okresie pracy.

Należy zidentyfikować dodatkowe środki bezpieczeństwa w celu ochrony operatora przed skutkami wibracji i/lub hałasu, takie jak: utrzymywanie narzędzia i akcesoriów w nienagannym stanie, utrzymywanie ciepła rąk, organizacja pracy.

⚠ OSTRZEŻENIE! Należy przeczytać wszystkie wskazówki bezpieczeństwa, instrukcje, opisy i specyfikacje dotyczące tego elektronarzędzia. Zaniedbania w przestrzeganiu poniższych wskazówek mogą spowodować porażenie prądem, pożar i/lub ciężkie obrażenia ciała. **Należy starannie przechowywać wszystkie przepisy i wskazówki bezpieczeństwa dla dalszego zastosowania.**

INSTRUKCJE BEZPIECZEŃSTWA DLA MŁOTOWIERTARKI

Instrukcje bezpieczeństwa dla wszystkich czynności

Stosować środki ochrony słuchu! Narażenie na hałas może spowodować utratę słuchu.

Stosować uchwyt pomocnicze dostarczone z narzędziem. Utrata kontroli może spowodować obrażenia.

Trzymaj urządzenie za izolowane powierzchnie chwytne gdy wykonujesz roboty, w trakcie których narzędzie skrawające może natrafić na ukryte przewody prądowe.

Styczność narzędzia skrawającego z będącym pod napięciem przewodem może spowodować podłączenie części metalowych urządzenia do napięcia i prowadzić do porażenia prądem elektrycznym.

Instrukcje bezpieczeństwa podczas użytkowania wiertarki udarowej z długimi wiertłami

Należy zawsze zaczynać od niskich obrotów i pracować na nich w momencie kontaktu wiertła z obrabianym elementem. W przypadku wysokich obrotów może dojść do wygięcia wiertła w momencie jego kontaktu z obrabianym elementem, co może doprowadzić do obrażeń.

Zawsze należy naciskać tylko w bezpośrednim kierunku na wiertło i nie używać przy tym nadmiernej siły. Może dojść do wygięcia i złamania wiertła lub do utraty kontroli nad narzędziem, co może natomiast doprowadzić do obrażeń.

DODATKOWE WSKAZÓWKI BEZPIECZEŃSTWA I INSTRUKCJE ROBOCZE

Proszę nosić odzież ochronną. Należy stale mieć na sobie okulary ochronne. Noszenie odpowiednich środków ochrony indywidualnej, np. maski przeciwpyłowej, obuwia antypoślizgowego, kasku lub ochrony słuchu, zmniejsza ryzyko obrażeń.

Kurz powstający przy pracy z tym elektronarzędziem może być szkodliwy dla zdrowia, w związku z tym nie powinien dotrzeć do ciała. Nosić odpowiednią maskę przeciwpyłową.

Nie wolno obrabiać materiałów, które mogą być przyczyną zagrożenia zdrowia (na przykład azbestu).

W przypadku zablokowania narzędzia nasazanego należy natychmiast wyłączyć urządzenie! Nie należy ponownie włączać urządzenia tak długo, jak długo narzędzie nasazane jest

zablokowane; przy tym mógłby powstać odrzut zwrotny o dużym momencie reakcyjnym. Należy wykręcić i usunąć przyczynę zablokowania narzędzia nasadzanego uwzględniając wskazówki dotyczące bezpieczeństwa.

Możliwymi przyczynami tego mogą być:

- Skośne ustawienie się w poddawany obróbce przedmiocie obrabianym
- Przerwanie materiału poddawanego obróbce
- Przeciążenie narzędzia elektrycznego

Nie należy sięgać do wnętrza maszyny będącej w ruchu.

Narzędzie robocze ma ostre krawędzie i może się nagrzewać podczas pracy.

OSTRZEŻENIE! Niebezpieczeństwo skażeń i oparzeń – w trakcie obsługi narzędzi roboczych – podczas odkładania urządzenia.

Podczas pracy z wykorzystaniem narzędzi roboczych należy nosić rękawice ochronne.

Podczas pracy elektronarzędzia nie wolno usuwać trocin ani drzazg.

Podczas pracy przy ścianach, sufitach i podłodze należy uważać na kable elektryczne, przewody gazowe i wodociągowe.

Należy zabezpieczyć przedmiot poddawany obróbce za pomocą urządzenia mocującego. Niezabezpieczone przedmioty poddawane obróbce mogą spowodować ciężkie obrażenia ciała i uszkodzenia.

Przed przystąpieniem do jakichkolwiek prac na elektronarzędziu należy wyjąć wkładkę akumulatorową.

Zużytych akumulatorów nie wolno wrzucać do ognia ani traktować jako odpadów domowych. Milwaukee oferuje ekologiczną uтиlizację zużytych akumulatorów.

Nie przechowywać akumulatorów wraz z przedmiotami metalowymi (niebezpieczeństwo zwarcia).

Akumulatory Systemu M18 należy ładować wyłącznie przy pomocy ładowarek Systemu M18. Nie ładować przy pomocy tych ładowarek akumulatorów innych systemów.

Nie otwierać wkładek akumulatorowych i ładowarek. Przechowywać w suchych pomieszczeniach. Chronić przed wilgocią.

W skrajnych warunkach temperaturowych lub przy bardzo dużym obciążeniu może dochodzić do wycieku kwasu akumulatorowego z uszkodzonych baterii akumulatorowych. W przypadku kontaktu z kwasem akumulatorowym należy natychmiast przemyć miejsce kontaktu wodą z mydłem. W przypadku kontaktu z oczami należy dokładnie przepłukać oczy przynajmniej przez 10 minut i zwrócić się natychmiast o pomoc medyczną.

Ostrzeżenie! Aby uniknąć niebezpieczeństwa pożaru, obrażeń lub uszkodzeń produktu na skutek zwarcia, nie wolno zanurzać narzędzia, akumulatora wymiennego ani ładowarki w cieczach i należy zatroszczyć się o to, aby do urządzeń i akumulatorów nie dostały się żadne ciecze. Zwarcie spowodować mogą korodujące lub przewodzące ciecze, takie jak woda morska, określone chemikalia i wybielacze lub produkty zawierające wybielacze.

WARUNKI UŻYTKOWANIA

Obrótowy młot pneumatyczny nadaje się do wiercenia udarowego i wiercenia w drewnie, metalu i tworzywach sztucznych.

Produkt można użytkować wyłącznie zgodnie z jego normalnym przeznaczeniem.

RYZYKA RESZTKOWE

Nawet przy prawidłowym użytkowaniu nie można wykluczyć wszystkich ryzyk rezydualnych. W trakcie użytkowania mogą powstawać poniższe zagrożenia, nawet w przypadku zachowania przez operatora najwyższej troski:

- Obrażenia spowodowane przez wibracje. Urządzenie należy trzymać za przeznaczony w tym celu uchwyt i ograniczać czas pracy i czas ekspozycji.
- Uciążliwość akustyczna może prowadzić do uszkodzeń słuchu. Należy mieć na sobie nauszники i ograniczać czas trwania ekspozycji.
- Obrażenia oczu spowodowane przez cząstki brudu.

Należy zawsze mieć na sobie okulary ochronne, solidne długie spodnie i solidne buty robocze.

- Wdychanie toksycznego pyłu.

WSKAZÓWKI DLA AKUMULATORÓW LITOWO-JONOWYCH

Użytkowanie akumulatorów litowo-jonowych

Akumulatory, które nie były przez dłuższy czas użytkowane, należy przed użyciem naładować.

W temperaturze powyżej 50°C następuje spadek osiągniętych akumulatorowej. Unikaj długotrwałego wystawienia na oddziaływanie ciepła lub promieni słonecznych (niebezpieczeństwo przegrzania).

Należy utrzymywać w czystości styki przyłączeniowe przy ładowarce i akumulatorze.

Dla zapewnienia optymalnej żywotności akumulatory po użyciu należy naładować do pełnej pojemności.

Aby zapewnić jak najdłuższą żywotność akumulatorów, po zakończeniu ładowania należy odłączać je od ładowarki.

W przypadku składowania akumulatorów dłużej aniżeli 30 dni: Przechowywać je w suchym miejscu w temperaturze ok. 27°C. Przechowywać je w stanie naładowanym do ok. 30% - 50%. Ładować je ponownie co 6 miesięcy.

Ochrona przeciwprzeciążeniowa w akumulatorach litowo-jonowych

W przypadku przeciążenia akumulatora przez bardzo duży pobór prądu, na przykład wskutek ekstremalnie dużych momentów obrotowych, zakleszczenia wiertła, nagłego stopu lub zwarcia, narzędzie ręczne z napędem elektrycznym wibruje przez 5 sekund, miga wskaźnik ładowania i narzędzie samoczynnie wyłącza się. W celu ponownego włączenia narzędzia należy zwoić przycisk przełączający, a następnie ponownie go włączyć. Przy ekstremalnych obciążeniach akumulator nagrzewa się za mocno. W takim przypadku wszystkie lampki wskaźnika ładowania migają tak długo, aż akumulator ochłodzi się. Po zgaśnięciu wskaźnika ładowania można kontynuować pracę.

Transport akumulatorów litowo-jonowych

Akumulatory litowo-jonowe podlegają ustawowym przepisom dotyczącym transportu towarów niebezpiecznych.

Transport tych akumulatorów winien odbywać się przy przestrzeganiu lokalnych, krajowych i międzynarodowych rozporządzeń i przepisów.

- Odbiorcom nie wolno transportować tych akumulatorów po drogach ot tak po prostu.
- Komercyjny transport akumulatorów litowo-jonowych przez przedsiębiorstwa spedycyjne podlega przepisom dotyczącym transportu towarów niebezpiecznych. Przygotowania do wysyłki oraz transport mogą być wykonywane wyłącznie przez odpowiednio przeszkoloną osobę. Cały proces winien odbywać się pod fachowym nadzorem.

W czasie transportu akumulatorów należy przestrzegać następujących punktów:

- Celem uniknięcia zwarcia należy upewnić się, że zestyki są zabezpieczone i zaizolowane.
- Zwracać uwagę na to, aby zespół akumulatorów nie mógł się przemieszczać we wnętrzu opakowania.
- Nie wolno transportować akumulatorów uszkodzonych lub z wyciekającym z elektrolitem.

Odniesienie dalszych wskazówek należy zwrócić się do swojego przedsiębiorstwa spedycyjnego.

WSKAZÓWKI DOTYCZĄCE UŻYTKOWANIA

Nie należy używać zbyt dużej siły przy wierceniu lub młotkowaniu. Wiertarka udarowa powinna pracować z własną siłą.

PRACA W ZIMNEJ TEMPERATURZE

Jeśli maszyna przez dłuższy czas była nieużywana lub była przechowywana w niskiej temperaturze, smar może stać się lepki, a także może dojść do sytuacji, w której maszyna na samym początku w ogóle nie rozpocznie pracy lub będzie mieć zbyt słabą moc. Należy wówczas:

1. Włożyć wiertło lub dłuto w maszynę.
2. Położyć maszynę na kawałku betonu.
3. Wcisnąć i puszczać przełącznik co kilka sekund.

Po 15 sekundach do maksymalnie 2 minut maszyna zacznie uderzać w prawidłowy sposób. Im zimniejsza jest maszyna, tym dłużej trwa rozgrzewanie.

CZYSZCZENIE

Otwory wentylacyjne elektronarzędzia muszą być zawsze drożne.

UTRZYMANIE I KONSERWACJA

Ważne! W przypadku zużycia szczotek węglowych po ich wymianie elektronarzędzie należy przekazać do serwisu obsługi posprzedażnej. Zapewni to długi okres użytkowania i maksymalnie osiągniętych osiągów elektronarzędzia.

Używać tylko i wyłącznie wyposażenia dodatkowego Milwaukee i części zamiennych Milwaukee. Gdyby trzeba było wymienić części, które nie zostały opisane, należy skontaktować się z przedstawicielem serwisu Milwaukee (patrz wykaz adresów punktów usługowych/gwarancyjnych).

W razie potrzeby można zamówić rysunek urządzenia w rozłożeniu na części podając typ maszyny oraz sześciopozycyjny numer na tabliczce znamionowej w Punkcie Obsługi Klienta lub bezpośrednio w firmie Techtronic Industries GmbH, Max-Eyth-Straße 10, 71364 Winnenden, Germany.

SYMBOLY

	Przed uruchomieniem elektronarzędzia zapoznać się uważnie z treścią instrukcji.
	UWAGA! OSTRZEŻENIE NIEBEZPIECZENSTWO!
	Przed przystąpieniem do jakichkolwiek prac na elektronarzędziu należy wyjąć wkładkę akumulatorową.
	Podczas pracy należy zawsze nosić okulary ochronne.
	Należy używać ochroniaczy uszu!
	Nosić odpowiednią maskę przeciwpyłową.
	Nosić rękawice ochronne!
	System antywibracyjny redukuje wibracje maszyny przy uchwycie.
	Wyposażenie dodatkowe dostępne osobno.



Zużyte baterie oraz zużyty sprzęt elektryczny i elektroniczny nie może być usuwany razem z odpadami pochodzącymi z gospodarstw domowych. Zużyte baterie oraz zużyty sprzęt elektryczny i elektroniczny należy gromadzić i usuwać oddzielnie. Przed uтиlizacją należy usunąć z urządzeń zużyte baterie, zużyte akumulatory oraz źródła światła. Proszę zasięgnąć informacji o centrach recyklingowych i punktach zbiorczych u władz lokalnych lub u wyspecjalizowanego dostawcy. W zależności od lokalnych przepisów, sprzedawcy detaliczni mogą być zobowiązani do bezpłatnego odbioru zużytego sprzętu elektrycznego i elektronicznego.

Poprzez ponowne wykorzystanie i recykling zużytych baterii oraz zużytego sprzętu elektrycznego i elektronicznego pomagamy zmniejszać zapotrzebowanie na surowce. Zużyte baterie (zwłaszcza baterie litowo-jonowe) oraz zużyty sprzęt elektryczny i elektroniczny zawierają cenne materiały nadające się do recyklingu, które mogą mieć negatywny wpływ na środowisko naturalne i zdrowie użytkownika, jeśli nie zostaną uтиlizowane w sposób przyjazny dla środowiska. Przed uтиlizacją zużytego sprzętu należy usunąć wszelkie zamieszczone na nim dane osobowe.

	Liczba obrotów na biegu jałowym
	Napięcie
	Prąd stały
	Europejski Certyfikat Zgodności
	Brytyjski znak potwierdzający zgodność
	Ukraiński Certyfikat Zgodności
	Euroazjatycki Certyfikat Zgodności

MŰSZAKI ADATOK	M18 BLHACD26
Felépítés	Akkumulátoros fűrókalapács
Gyártási szám	4919 77 01 XXXXXX MJJJJ
Akkumulátor feszültség	18 V ---
Egyedi ütőenergia	2,6 J
Üresjárat fordulatszám	0-1270 min ⁻¹
Ütésszám terhelés alatt	0-4600 min ⁻¹
Feszítőnyak- \varnothing	43 mm
Furat- \varnothing betonba	26 mm
Furat- \varnothing acélba	13 mm
Furat- \varnothing fába	28 mm
Fúrókorona téglába és mészkőbe	65 mm
Súly a 01/2014EPTA-eljárás szerint (2,0 Ah ... 12,0 Ah)	2,8 kg ... 3,9 kg
Ajánlott környezeti hőmérséklet munkavégzésnél	-18...+50 °C
Ajánlott akkutípusok	M18 B...; M18 HB...
Ajánlott töltőkészülékek	M12-18...; M18 DFC; M1418 C6
Zajinformáció: A közölt értékek megfelelnek az EN 62841 szabványnak.	
A készülék munkahelyi zajszintje tipikusan:	
Hangnyomás szint / K bizonytalanság	93,5 dB(A) / 3 dB(A)
Hangteljesítmény szint / K bizonytalanság	104,5 dB(A) / 3 dB(A)
Viseljen hallásvédőt.	
Vibráció-információk: Összesített rezgésértékek (három irány vektoriális összege) az EN 62841.-nek megfelelően meghatározva. ah rezgésemisszió érték / K bizonytalanság	
Ütvefúráshoz betonba (a _{h,HD})	13,9 m/s ² / 1,5 m/s ²
Vésés (a _{h,Cheq})	13,2 m/s ² / 1,5m/s ²

▲ FIGYELMEZTETÉS!

Az adatlapon feltüntetett rezgés- és zajkibocsátási szint mérésére az EN 62841 szabványos vizsgálati módszere alapján került sor, és a kapott értékek az egyes szerszámok összehasonlítására használhatók. Az értékek az expozíció előzetes értékelésében használhatók.

A megadott rezgésszint-érték az elektromos szerszám legfőbb alkalmazásait reprezentálja. Ha az elektromos szerszámot azonban más alkalmazásokhoz, eltérő használt szerszámokkal vagy nem elegendő karbantartással használják, a rezgésszint értéke eltérő lehet. Ez jelentősen megnövelheti a rezgésterhelést a munkavégzés teljes időtartama alatt.

A rezgésterhelés pontos megbecsléséhez azokat az időket is figyelembe kell venni, melyekben a készülék lekapcsolódik, vagy ugyan működik, azonban ténylegesen nincs használatban. Ez jelentősen csökkentheti a rezgésterhelést a munkavégzés teljes időtartama alatt.

Határozzon meg további biztonsági intézkedéseket, hogy védje a kezelőt a rezgés- és/vagy zajhatásoktól. Ilyen intézkedések pl.: a szerszámok és tartozékok karbantartása, a kéz melegen tartása, munkarend-szervezés.

▲ FIGYELMEZTETÉS! Olvassa el az elektromos kéziszerszámra vonatkozó összes biztonsági útmutatást, utasítást, ábrát és specifikációt. A következőkben leírt utasítások betartásának elmulasztása áramütésekhez, tűzhöz és/vagy súlyos testi sérülésekhez vezethet. **Kérjük a későbbi használatra gondosan őrizze meg ezeket az előírásokat.**

BIZTONSÁGI UTASÍTÁSOK FÚRÓKALAPÁCS

Biztonsági utasítások minden munkaművelethez

Viseljen hallásvédőt. A zajhatás a hallás elvesztését eredményezheti.

Használja a készülékkel együtt szállított kézfogantyúkat. A készülék fölötti ellenőrzés elvesztése sérüléseket okozhat.

A készüléket a szigetelt markolatfelületeket fogva tartsa, ha olyan munkálatokat végez, melyeknél a vágószerszám rejtett elektromos vezetékbe.

A vágószerszám feszültségvezető vezetékkel való érintkezésekor a készülék fém részei is feszültség alá kerülhetnek, és elektromos áramütés következhet be.

A fúrókalapács hosszú fúrókkal való használatára vonatkozó biztonsági útmutatások

Mindig alacsony fordulatszámmal kezdjen és úgy, hogy a fúrószár közben hozzáérjen a munkadarabhoz. Magasabb fordulatszámnál a fúrószár elgörbülhet, ha úgy forog, hogy közben nem ér hozzá a munkadarabhoz, ami sérülésekhez vezethet.

Mindig a fúrószár közvetlen irányában gyakoroljon nyomást és ne nyomja túl erősen a készüléket. A fúrószárak elgörbülhetnek és eltörhetnek, vagy a készülék kontrollálhatatlanná válhat, ami szintén sérüléseket okozhat.

TOVÁBBI BIZTONSÁGI ÉS MUNKAVÉGZÉSI UTASÍTÁSOK

Viseljen egyéni védőfelszerelést. Mindig viseljen védőszemüveget. A mindenkor megfelelő védőfelszerelés, pl. porvédő maszk, csúszásmentes lábbeli, védősisak vagy hallásvédő viselése csökkenti a sérülésveszélyt.

A munka során keletkező por gyakran egészségre káros, ezért ne kerüljön a szervezetbe. Hordjon e célra alkalmas porvédőmaszkot.

Nem szabad olyan anyagokat megmunkálni, amelyek egészségre veszélyesek (pl. azbeszlet).

A betétszerszám elakadásakor azonnal ki kell kapcsolni a készüléket! Addig ne kapcsolja vissza a készüléket, amíg a betétszerszám elakadása fennáll; ennek során nagy ellennyomatékú visszarúgás történhet. Határozza és szüntesse meg a betétszerszám elakadásának okát a biztonsági útmutatások

betartása mellett.

Ennek következők lehetnek az okai:

- a szerszám elakad a megmunkálandó munkadarabban
- a megmunkálandó anyag átszakadt
- az elektromos szerszám túlterhelése

Ne nyúljon a járó géphez.

A betétszerszám éles szélű, és az alkalmazás során felforrósodhat.

FIGYELMEZTETÉS! Vágási és égési sérülések veszélye – a betétszerszámok kezelésekor – a készülék lerakásakor.

A betétszerszámok kezelésekor védőkesztyűt kell használni.

A munka közben keletkezett forgácsokat, szilánkokat, törmelékét, stb. csak a készülék teljes leállása után szabad a munkaterületről eltávolítani.

Falban, földemben, aljzatban történő fűrésznél fokozottan ügyelni kell az elektromos-, víz- és gázvezetésekre.

Biztosítsa a munkadarabot befogó szerkezettel. A nem biztosított munkadarabok súlyos sérüléseket és károkat okozhatnak.

Karbantartás, javítás, tisztítás, stb. előtt az akkumulátort ki kell venni a készülékből.

A használt akkumulátort ne dobja tűzbe vagy a háztartási szeméttbe. Tájékoztódjon a szakszerű megsemmisítés helyi lehetőségeiről.

Az akkumulátort ne tárolja együtt fém tárgyakkal. (Rövidzárlat veszélye).

Az M18 elvezetésű rendszerhez tartozó akkumulátorokat kizárólag a rendszerhez tartozó töltővel tölts fel. Ne használjon más rendszerbe tartozó töltőt.

Az akkumulátort, töltőt nem szabad megbontani és kizárólag száraz helyen szabad tárolni. Nedvességtől óvni kell.

Akkumulátor sav folyhat a sérült akkumulátorból extrém terhelés alatt, vagy extrém hő miatt. Ha az akkumulátor sav a bőrre kerül azonnal mossa meg szappanos vízzel. Szembe kerülés esetén folyóvíz alatt tartsa a szemét minimum 10 percig és azonnal forduljon orvoshoz.

Figyelmeztetés! A rövidzárlat általi tűz, sérülések vagy termékkárosodások veszélye elkerülésére ne merítse a szerszámot, a cserélhető akkut vagy a töltőkészüléket folyadékokba, és gondoskodjon arról, hogy ne hatoljanak folyadékok a készülékekbe és az akkukba. A korrozív hatású vagy vezetőképes folyadékok, mint pl. a sós víz, bizonyos vegyi anyagok, fehérítők vagy fehéritő tartalmú termékek, rövidzárlatot okozhatnak.

RENDELTETTÉSSZERŰ HASZNÁLAT

Akkumulátoros fúrókalapács általánosan használható útvefúráshoz közetekbe, valamint fúráshoz fába, fémbe és műanyagba.

A készüléket kizárólag az alábbiakban leírtaknak megfelelően szabad használni.

FENNMARADÓ KOCKÁZATOK

Szabályos használat esetén sem lehet minden fennmaradó kockázatot kizárni. A használat során a következő veszélyek keletkezhetnek, amelyekre a kezelőnek különösen figyelnie kell:

- Vibráció okozta sérülések.
- A készüléket az e célra szolgáló markolatoknál fogja meg és korlátozza a munka- és expozíciós időt.
- A zajterhelés halláskárosodást okozhat. Viseljen hallásvédőt és korlátozza az expozíciós időt.
- Szennyrészecskék által okozott zemsérülések.
- Viseljen mindig védőszemüveget, erős hosszú nadrágot és ellenálló lábbelit.
- Mergező porok belélegzése

LI-ION AKKUKRA VONATKOZÓ ÚTMUTATÁSOK

Li-ion akkuk használata

A hosszabb ideig üzemén kívül lévő akkumulátort használat előtt ismételtelen fel kell tölteni.

50°C feletti hőmérsékletnél csökkenhet az akkumulátor teljesítménye. Kerülni kell a túlzottan meleg helyen vagy napon történő hosszabb idejű tárolást.

A töltő és az akku csatlakozóérintkezőit tisztán kell tartani.

Az optimális élettartam érdekében használat után az akkukat teljesen fel kell tölteni.

A lehetőleg hosszú élettartamhoz az akkukat feltöltés után ki kell venni a töltőkészülékből.

Az akku 30 napot meghaladó tárolása esetén:

Az akkut kb. 27 °C-on, száraz helyen kell tárolni.

Az akkut kb. 30-50%-os töltöttségi állapotban kell tárolni.

Az akkut 6 havonta újra fel kell tölteni.

Akku-túlterhelés elleni védelem Li-ion akkuknál

Az akku nagyon nagy áramfelhasználása következtében fellépő túlterhelése esetén - pl. rendkívül magas forgatónyomatékok, a fűró megszorulása, hirtelen leállítás vagy rövidzárlat miatt – az elektromos szerszám 5 másodpercen keresztül vibrál, a töltéskijelző villog és az elektromos szerszám magától kikapcsol. Az újbóli bekapcsoláshoz engedje el a nyomókapcsolót, majd kapcsolja be ismét.

Rendkívüli terheléseknél az akku túlságosan felmelegszik. Ebben az esetben a töltéskijelző minden lámpája addig villog, amíg az akku le nem hűl. Ha a töltéskijelző kialszik, utána tovább lehet dolgozni.

Li-ion akkuk szállítása

A lítium-ion akkuk a veszélyes áruk szállítására vonatkozó törvényi rendelkezések hatálya alá tartoznak.

Az ilyen akkuk szállításának a helyi, országos és nemzetközi előírások és rendelkezések betartása mellett kell történnie.

- A fogyasztók minden további nélkül szállíthatják az ilyen akkukat közúton.
- A lítium-ion akkuk szállítványozási vállalatok általi kereskedelmi célú szállítására a veszélyes áruk szállítására vonatkozó rendelkezések érvényesek. A kiszállítás előkészítését és a szállítást kizárólag megfelelő képzettségű személyek végezhetik. A teljes folyamatnak szakmai felügyelet alatt kell történnie.

A következő pontokat kell figyelembe venni akkuk szállításakor:

- Biztosítsa, hogy a rövidzárlatok elkerülése érdekében az érintkezők védve és szigetelve legyenek.
- Ügyeljen arra, hogy az akkucsomag ne tudjon elcsúszni a csomagoláson belül.
- Tilos sérült vagy kifolyt akkukat szállítani.

További útmutatásokért forduljon szállítványozási vállalatához.

A HASZNÁLATRA VONATKOZÓ ÚTMUTATÁSOK

Fűrésznél vagy kalapálásánál ne alkalmazzon túl nagy erőt. Hagyja a fúrókalapácsot dolgozni.

MUNKAVÉGZÉS HIDEGBEN

Ha a gépet hosszabb ideig vagy alacsony hőmérsékleten tárolják, akkor a kenőanyag beürülődhet, és előfordulhat, hogy a gép kezdetben nem működik, vagy a teljesítmény túl alacsony. Ilyen esetben:

1. Helyezzen egy fűrőt vagy vésőt a gépbe.
2. Helyezze a gépet egy maradék betondarabra.
3. Néhány másodpercenként nyomja le a kapcsológombot, majd engedje el.

15 másodperc és 2 perc közötti idő elteltével a gép normál módon kezd működni. Minél hidegebb a gép, annál tovább tart a felmelegedés.

TISZTÍTÁS

A készülék szellőzőnyílásait mindig tisztán kell tartani.

KARBANTARTÁS

Az elhasznált szénkéféket az illetékes márkaszervizzel haladéktalanul kell kicseréltetni, így jelentősen megnövelhető a készülék élettartama és garantált a folyamatos üzemkés állapot.

Csak Milwaukee tartozékokat és Milwaukee pótalkatrészeket szabad használni. Az olyan elemeket, melyek cseréje nincs ismertetve, cseréltesse ki Milwaukee szervizzel (lásd Garancia/Ügyfélszolgálat címei kiadványt).

Igény esetén a készülékről robbantott rajz kérhető a géptípus és a teljesítménycímként található hatjegyű szám megadásával az Ön vevőszolgálatánál, vagy közvetlenül a Techtronic Industries GmbH-től a Max-Eyth-Straße 10, 71364 Winnenden, Németország címen.

SZIMBÓLUMOK

	Kérjük alaposan olvassa el a tájékoztatót mielőtt a gépet használja.
	FIGYELEM! FIGYELMEZTETÉS! VESZÉLY!
	Karbantartás, javítás, tisztítás, stb. előtt az akkumulátort ki kell venni a készülékből.
	Munkavégzés közben ajánlatos védőszemüveget viselni.
	Hallásvédő eszköz használata ajánlott!
	Hordjon e célra alkalmas porvédőmaszkot.
	Hordjon védőkesztyűt!
	Az antivibrációs rendszer csökkenti a gép fogantyújánál fellépő rezgéseket.
	Azokat a tartozékokat, amelyek gyárilag nincsenek a készülékhez mellékelve, külön lehet megrendelni.



A hulladékelemeket, az elektromos és elektronikus berendezések hulladékait nem szabad a háztartási hulladékkal együtt ártalmatlanítani. A hulladékelemeket, az elektromos és elektronikus berendezések hulladékait elkülönítve kell gyűjteni és ártalmatlanítani.

Az ártalmatlanítás előtt távolítsa el a hulladékelemeket, a hulladékkumulátorokat és az izzókat a berendezésekből.

A helyi hatóságoknál vagy szakkereskedőjénél tájékozódjon a hulladékudvarokról és gyűjtőhelyekről.

A helyi rendelkezésektől függően a kiskereskedők kötelesek lehetnek a hulladékelemeket, az elektromos és elektronikus berendezések hulladékait ingyenesen visszavenni. A hulladékelemek, az elektromos és elektronikus berendezések hulladékainak újrahasználatával és újrahasznosításával járuljon hozzá a nyersanyagszükséglet csökkentéséhez.

A hulladékelemek (mindenekelőtt a lítium-ion elemek), az elektromos és elektronikus berendezések hulladékai értékes újrahasznosítható anyagokat tartalmaznak, melyek környezetvédelmi szempontból nem megfelelő ártalmatlanítás esetén negatív hatással lehetnek a környezetre és az Ön egészségére. Ártalmatlanítás előtt törölje a használt készüléken lévő lehetséges személyes adatokat.

	Üresjárati fordulatszám
	Feszültség
	Egyenáram
	Európai megfelelőségi jelölés
	Brit megfelelőségi jel
	Ukrán megfelelőségi jelölés
	Eurázsiai megfelelőségi jelölés

TEHNIČNI PODATKI

M18 BLHACD26	
Model	Baterijska rotacijska kladiva
Proizvodna številka	4919 77 01 XXXXX MJJJ
Napetost izmenljivega akumulatorja	18 V ---
Energija posameznega udarca	2,6 J
Številno vrtljajev v prostem teku	0-1270 min ⁻¹
Bremensko število udarcev	0-4600 min ⁻¹
Vpenjalni vrat ø	43 mm
Vrtalni ø v betonu	26 mm
Vrtalni ø v jeklu	13 mm
Vrtalni ø v lesu	28 mm
Lahka vrtalna krona v opeki in apnenem peščencu	65 mm
Teža po EPTA-proceduri 01/2014 (2,0 Ah ... 12,0 Ah)	2,8 kg ... 3,9 kg
Priporočena temperatura okolice pri delu	-18...+50 °C
Priporočene vrste akumulatorskih baterij	M18 B...; M18 HB...
Priporočeni polnilniki	M12-18...; M18 DFC; M1418 C6

Informacije o hrupnosti: Vrednosti merjenja ugotovljene ustrezno z EN 62841.

Raven hrupnosti naprave ovrednotena z A, znaša tipično:

Nivo zvočnega tlaka / Nevarnost K	93,5 dB(A) / 3 dB(A)
Višina zvočnega tlaka / Nevarnost K	104,5 dB(A) / 3 dB(A)

Nosite zaščito za sluh.

Informacije o vibracijah: Skupna vibracijska vrednost (Vektorska vsota treh smeri) določena ustrezno EN 62841.

Vibracijska vrednost emisij a_h / Nevarnost K

Udarno vrtnje v betonu (a _{h,HD})	13,9 m/s ² / 1,5 m/s ²
Klesanje (a _{h,cheq})	13,2 m/s ² / 1,5m/s ²

⚠ OPOZORILO!

Raven vibracij in hrupa, navedena v tem informativnem listu, je bila izmerjena v skladu s standardiziranim preskusom iz EN 62841 in jo je mogoče uporabljati za primerjavo orodij med seboj. Mogoče jo je tudi uporabiti za predhodno oceno izpostavljenosti.

Navedena raven tresljajev navaja najpomembnejše vrste rabe električnega orodja. Kadar se električno orodje uporablja za drugačne namene, z odstopajočimi orodji ali pa z nezadostnim vzdrževanjem, lahko raven tresljajev tudi odstopa. Le to lahko čez celoten delovni čas znatno zviša obremenitev s tresenjem.

Za natančno oceno obremenitve s tresljaji naj bi se upošteval tudi čas v katerem je naprava izklopljena ali sicer teče, vendar dejansko ni v rabi. Le to lahko obremenitev s tresljaji čez celoten delovni čas znatno zmanjša.

Ugotovite dodatne varnostne ukrepe za zaščito upravljavca pred učinki vibracij in/ali hrupa, kot so: vzdrževanje orodja in dodatkov, tople roke, organizacija delovnih vzorcev.

⚠ OPOZORILO! Preberite vsa varnostna opozorila in navodila, prikaze in specifikacije tega električnega orodja.

Zakasnelo upoštevanje sledečih navodil lahko povzroči električni udar, požar in/ali težke poškodbe.

Vsa opozorila in napotila shranite, ker jih boste v prihodnje še potrebovali.

VARNOSTNA NAVODILA ZA VRTALNEGA KLAĐIVA

Varnostna navodila za vse uporabe

Nosite zaščito za sluh. Razvijanje hrupa lahko povzroči izgubo sluha.

Uporabite dodatne ročaje, ki so dobavljeni skupaj z napravo. Izguba kontrole lahko povzroči poškodbe.

Kadar izvajate dela pri katerih lahko orodje zadane prikrto električno napeljavo, je napravo potrebno držati za izolirane prijemalne površine.

Stik rezalnega orodja z napetostnim vodnikom napeljave lahko privede kovinske dele naprave pod napetost in vodi do električnega udara.

Varnostni napotki za uporabo pnevmatičnega vrtalnika z dolgimi svedri

Vedno začnite vrtati z nizko hitrostjo in medtem, ko je sveder v stiku z obdelavancem. Pri večjih hitrostih se lahko sveder upogne, ko se vrti brez stika z obdelavancem, kar lahko povzroči poškodbe.

Pritisk usmerite samo v direktni liniji s svedrom in ne pritiskajte premočno. Svedri se lahko upognejo, kar povzroči zlom ali izgubo nadzora ter osebne poškodbe.

NADALJNA VARNOSTNA IN DELOVNA OPOZORILA

Nosite osebno varovalno opremo. Vedno nosite zaščitna očala.

Nošenje ustrezne zaščitne opreme, kot so maske proti prahu, nedrseča obutev, čelada ali zaščita sluha, zmanjšuje tveganje za poškodbe.

Prah, ki nastaja pri delu, je pogosto zdravju škodljiv in naj ne zaide v telo. Nosite ustrezno masko proti prahu.

Obdelava materialov, iz katerih izhaja ogroženost zdravja (npr. azbest), ni dovoljena.

V primeru blokade orodja napravo takoj izklopite! Naprave ponovno ne vklopljajte dokler je orodje blokirano, pri tem bi lahko prišlo do povratnega udara z velikim reakcijskim momentom. Ugotovite in odpravite vzroke blokade orodja ob upoštevanju varnostnih navodil.

Možni razlogi so lahko:

- Zagozditve v obdelavancu

- prežganje obdelovanega materiala
- Preobremenitev električnega orodja

Ne segajte v stroj v teku.

Orodje ima ostre robove in se lahko med uporabo segreje.

OPOZORILO! Nevarnost urednin in opeklin

- pri rokovanju z orodji
- pri odlaganju naprave.

Pri rokovanju z orodji nosite zaščitne rokavice.

Trske ali iveri se pri tekočem stroju ne smejo odstranjevati.

Pri delih na steni, stropu ali v tleh pazite na električne kable, plinske in vodne napeljave.

Obdelovanec zavarujte z vpenjalno pripravo. Nezavarovani obdelovanci lahko povzročijo težke poškodbe in okvare.

Pred vsemi deli na stroji odstranite izmenljivi akumulator.

Izrabljenih izmenljivih akumulatorjev ne mečite v ogenj ali v gospodinjske odpadke. Milwaukee nudi okolju prijazno odlaganje starih izmenljivih akumulatorjev; prosimo povprašajte vašega strokovnega trgovca.

Izmenljivih akumulatorjev ne hranite skupaj s kovinskimi predmeti (nevarnost kratkega stika).

Izmenljive akumulatorje sistema M18 polnite samo s polnilnimi aparati sistema M18. Ne polnite nobenih akumulatorjev iz drugih sistemov.

Izmenljivih akumulatorjev in polnilnih aparatov ne odpirajte in jih hranite samo v suhih prostorih. Zaščitite jih pred mokroto.

Pod ekstremno obremenitvijo ali ob ekstremni temperaturi iz poškodovanega izmenjivega akumulatorja lahko izteka akumulatorska tekočina. Po stiku z akumulatorsko tekočino prizadeto mesto takoj izperite z vodo in milom. Po stiku z očmi takoj najmanj 10 minut dolgo temeljito izpirajte in nemudoma obiščite zdravnika.

Opozorilo! V izogib, s kratkim stikom povzročene nevarnosti požara, poškodb ali okvar na proizvodu, orodja, izmenjivega akumulatorja ali polnilne naprave ne potapljajte v tekočine in poskrbite, da ne bo prihajalo do vdora tekočin v naprave in akumulatorje. Korozivne ali prevodne tekočine, kot so slana voda, določene kemikalije in belila ali proizvodi, ki le ta vsebujejo, lahko povzročijo kratek stik.

UPORABA V SKLADU Z NAMEMBOSTJO

Akumulatorski udarni vrtnik je univerzalno uporaben za udarno vrtnje v kamnu in za vrtnje v lesu, kovini ter umetni masi, neodvisno od omrežnega priključka.

Ta naprava se sme uporabiti samo v skladu z namembnostjo uporabiti samo za navedene namene.

PREOSTALA TVEGANJA

Tudi pri pravilni uporabi vseh pretalih tveganj ni mogoče izključiti. Pri uporabi lahko pride do sledečih nevarnosti, na katere naj bo uporabnik zmeraj pozoren:

- Vsled vibracij povzročene poškodbe. Napravo držite za temu namenu predvidene ročaje in omejite čas dela in izpostavljenosti.
- Obremenitev s hrupom lahko privede do poškodb sluha. Nosite zaščito sluha in omejite dovo izpostavljenosti.
- Vsled delcev nečistoč povzročene poškodbe oči. Vedno nosite zaščitna očala, dolge hlače in trdne čevlje.
- Vdihavanje nevarnih prahov.

NAPOTKI ZA LITIJ-IONSKE AKUMULATORJE

Uporaba litij-ionskih akumulatorjev

Akumulatorje, ki jih daljši čas niste uporabljali, pred uporabo naknadno napolnite.

Temperatura nad 50°C zmanjšuje zmogljivost akumulatorja. Izogibajte se daljšemu segrevanju zaradi sončnih žarkov ali gretja.

Pazite, da ostanajo priključni kontakti na polnilnem aparatu in izmenljivem akumulatorju čisti.

za optimalno življenjsko dobo je potrebno akumulatorje po uporabi do konca napolniti.

Za čim daljšo življenjsko dobo naj se akumulatorji po napolnitvi vzamejo ven iz naprave za polnjenje.

Pri skladiščenju akumulatorjev dalj kot 30 dni:

- Akumulator skladiščiti pri 27°C in na suhem.
- Akumulator skladiščiti pri 30%-50% stanja polnjenja.
- Akumulator spet napolniti vsakih 6 mesecev.

Preobremenitvena zaščita litij-ionskih akumulatorjev

V primeru preobremenitve akumulatorja zaradi visoke porabe toka, npr. ekstremno visokih vrtilnih momentov, zatika svedra, nenadne zaustavitve ali kratkega stika, električno orodje 5 sekund vibrira, prikazovalnik polnjenja utripa, električno orodje pa se samodejno izklopi.

Za ponoven vklop izpusite pritisko stikalo in nato znova vklopite. Pod ekstremnimi obremenitvami se akumulator premočno segreva. V tem primeru utripajo vse lučke prikazovalnika polnjenja dokler se akumulator ne ohladi. Za tem, ko prikazovalnik polnjenja ugasne lahko z delom nadaljujemo.

Transport litij-ionskih akumulatorjev

Litij-ionski akumulatorji so podvrženi zakonskim določbam transporta nevarnih snovi.

Transport teh akumulatorjev se mora izvajati upoštevajoč lokalne, nacionalne in mednarodne predpise in določbe.

- Potrošniki lahko te akumulatorje še nadalje transportirajo po cesti.
- Komerčni transport litij-ionskih akumulatorjev s strani špediterskih podjetij je potrjen določbam transporta nevarnih snovi. Priprava odpreme in transporta se lahko vrši izključno s strani ustrezno izšolanih oseb. Celoten proces je potrebno strokovno spremljati.

Pri transportu akumulatorjev je potrebno upoštevati sledeče točke:

- V izogib kratkim stikom zagotovite, da bodo kontakti zaščiteni in izolirani.
- Bodite pozorni na to, da paket akumulatorja v notranjosti embalaže ne bo mogel zdrsniti.
- Poškodovanih ali iztekajočih akumulatorjev ni dovoljeno transportirati.

Za nadaljnja navodila se obrnite na vaše špeditersko podjetje.

NAPOTKI ZA DELO

Pri vrtnju ali udarjanju s kladivom ne uporabljajte preveč sile. Pnevmatični vrtnik naj dela sam.

DELA V HLADNEM VREMENU

Če je stroj skladiščen za daljše obdobje ali pri nizkih temperaturah, se lahko mazivo strdi in stroj na začetku ne more delovati ali pa je moč premajhna. Če se to zgodi:

1. vstavite sveder ali dleto v stroj;
2. namestite stroj na preostali kos betona;
3. pritiskajte stikalo vsakih nekaj sekund in ga znova spustite.

Po 15 sekundah do 2 minut začne stroj normalno tolči. Čim hladnejši je stroj, tem dlje traja segrevanje.

ČIŠČENJE

Pazite na to, da so prezračevalne reže stroja vedno čiste.

VZDRŽEVANJE

Pri obrabljenih oglenih krtačkah naj se dodatno z zamenjavo oglenih krtačk izvede servisno vzdrževanje v delavnici servisne službe. To podaljša življenjsko dobo stroja in zagotavlja stalno pripravljenost za obratovanje.

Uporabljajte samo Milwaukee pribor in Milwaukee nadomestne dele. Poskrbite, da sestavne dele, katerih zamenjava ni opisana, zamenjajo v Milwaukee servisni službi (upoštevajte brošuro Garancija aslovi servisnih služb).

Po potrebi je mogoče pri vašem servisnem mestu ali neposredno pri Techtronic Industries GmbH, Max-Eyth-Straße 10, 71364 Winnenden, Germany, naročiti eksplozijsko risbo naprave ob navedbi tipa stroja in na tablici navedene šestmestne številke.

SIMBOLI

	Prosimo, da pred uporabo pozorno preberete to navodilo za uporabo.
	POZOR! OPOZORILO! NEVARNO!
	Pred vsemi deli na stroji odstranite izmenljivi akumulator.
	Pri delu s strojem vedno nosite zaščitna očala.
	Nosite zaščito za sluh!
	Nosite ustrezno masko proti prahu.
	Nositi zaščitne rokavice
	Protivibracijski sistem zmanjša vibracije stroja na ročaju.
	Oprema – ni vsebovana v obsegu dobave, priporočeno dopolnilo iz programa opreme.



Odpadnih baterij, odpadne električne in elektronske opreme ne odstranjujte kot nesortirani komunalni odpadki. Odpadne baterije ter odpadno električno in elektronsko opremo je treba zbirati ločeno. Odpadne baterije, odpadne akumulatorje in svetlobne vire je treba odstraniti iz opreme. Za nasvet glede recikliranja in zbirnih mest se obrnite na lokalno oblast ali trgovca. V skladu z lokalnimi predpisi so lahko trgovci na drobno obvezani, da morajo brezplačno vzeti nazaj odpadne baterije ter odpadno električno in elektronsko opremo.

Vaš prispevek k ponovni uporabi in recikliranju odpadnih baterij ter odpadne električne in elektronske opreme pomaga pri zmanjšanju povpraševanja po surovinah.

Odpadne baterije, še posebej tiste, ki vsebujejo litij, ter odpadna električna in elektronska oprema vsebujejo dragocene materiale, primerne za recikliranje, ki imajo lahko, če niso odstranjeni na okolju prijazen način, škodljive posledice za okolje in zdravje ljudi.

Z odpadne opreme izbršite osebne podatke, če obstajajo.

	Številno vrtljajev prostega teka
	Napetost
	Enosmerni tok
	Evropska oznaka za združljivost
	Britanska oznaka o skladnosti
	Ukrajinska oznaka za združljivost
	Evrazijska oznaka za združljivost

TEHNIČKI PODACI	M18 BLHACD26
Vrsta izvedbe	Akumulatorski bušači čekić
Broj proizvodnje	4919 77 01 XXXXX MJJJ
Napon baterije za zamjenu	18 V ---
Energija pojedinačnog udara	2,6 J
Broj okretaja praznog hoda	0-1270 min ⁻¹
Broj udaraca pod opterećenjem	0-4600 min ⁻¹
Stezno grlo-Ø	43 mm
Bušenje-Ø u beton	26 mm
Bušenje-Ø u čelik	13 mm
Bušenje-Ø u drvo	28 mm
Laka krunica za bušenje u opeku i silikatnu opeku	65 mm
Težina po EPTA-proceduri 01/2014 (2,0 Ah ... 12,0 Ah)	2,8 kg ... 3,9 kg
Preporučena temperatura okoline kod rada	-18...+50 °C
Preporučeni tipovi akumulatora	M18 B...; M18 HB...
Preporučeni punjači	M12-18...; M18 DFC; M1418 C6

Informacije o buci: Mjerne vrijednosti utvrđene odgovarajuće EN 62841.

A-ocijenjeni nivo buke aparata iznosi tipično:

Nivo pritiska zvuka / Nesigurnost K

93,5 dB(A) / 3 dB(A)

Nivo učinka zvuka / Nesigurnost K

104,5 dB(A) / 3 dB(A)

Nosite zaštitu za sluh.

Informacije o vibracijama: Ukupne vrijednosti vibracije (Vektor suma tri smjera) su odmerene odgovarajuće EN 62841.

Vrijednost emisije vibracije a_v / Nesigurnost K

Čekićno bušenje u beton (a_{h,HD})

13,9 m/s² / 1,5 m/s²

Klesanje (a_{h,Chgq})

13,2 m/s² / 1,5m/s²

⚠ UPOZORENIE!

Razine emisije vibracija i buke navedena u ovom informacijskom listu izmjerene su u skladu sa standardiziranim ispitom koji propisuje EN 62841 i mogu se upotrebljavati za međusobnu usporedbu alata. Također se mogu upotrebljavati za prethodnu procjenu izloženosti.

Navedena razina titranja reprezentira glavne primjene električnog alata. Ukoliko se električni alat upotrebljava u druge svrhe sa odstupajućim primijenjenim alatima ili nedovoljnim održavanjem, onda razina titranja može odstupati. To može titrajno opterećenje kroz cijeli period rada bitno povisiti.

Za točnu procjenu titrajnog opterećenja se moraju uzeti u obzir i vremena u kojima je uređaj isključen ili u kojima doduše radi, ali nije i stvarno u upotrebi. To može titrajno opterećenje bitno smanjiti za vrijeme cijelog radnog perioda.

Utvrđite dodatne sigurnosne mjere kako biste zaštitili rukovatelja od ovih učinaka vibracija i/ili buke, primjerice: održavanje alata i pribora, osiguravanje da ruke budu tople, organizacija obrazaca rada.

⚠ UPOZORENIE! Treba pročitati sve napomene o sigurnosti, upute, prikaze i specifikacije za ovaj električni alat. Propusti kod pridržavanja sljedećih uputa može uzrokovati strujni udar, požar i/ili teške ozljede. **Sačuvajte sve napomene o sigurnosti i upute za buduću primjenu.**

SIGURNOSNE UPUTE ZA BUŠAČEG ČEKIĆA

Sigurnosne upute za sve upotrebe

Nosite zaštitu za sluh. Djelovanje buke može dovesti do gubitka sluha.

Koristite dodatne drške koje su isporučene sa aparatom. Gubitak kontrole može prouzročiti povrede.

Držite spravu na izoliranim držačkim površinama kada izvodite radove kod kojih rezački alat može pogoditi skrivene vodove struje.

Kontakt rezačkog alata sa vodovima koji sprovode napon može metalne dijelove sprave dovesti pod napon i tako dovesti do električnog udara.

Sigurnosne upute za primjenu bušačeg čekića s dugim svrdlima

Startajte uvijek s jednim niskim brojem okretaja i dok se umetak bušenja nalazi u kontaktu s izratkom. Kod većih brojeva okretaja umetak bušenja se može presaviti ako se vrti bez konatka s izratkom, što može dovesti do povreda.

Stvarajte pritisak uvijek samo kod direktnog usmjeravanja prema umetku bušenja i nemojte pritiskati prejako. Umetci bušenja se mogu presaviti i slomiti ili dovesti do gubitka kontrole nad aparatom, čime opet može doći do povreda.

OSTALE SIGURNOSNE I RADNE UPUTE

Nosite osobnu zaštitnu opremu. Nosite uvijek zaštitne naočale. Nošenje dotične odgovarajuće zaštitne opreme kao maske protiv prašine, neproklizne cipele, zaštitni šljem ili zaštite sluha, smanjuje riziko ozljeda.

Prašina koja nastaje prilikom rada je često nezdrava i ne bi smijela dospjeti u tijelo. Nositi prikladnu zaštitnu masku protiv prašine.

Ne smiju se obrađivati nikakvi materijali, od kojih prijeti opasnost po zdravlje (npr. azbest).

Kod blokiranja alata koji se upotrebljava uređaj molimo odmah isključiti! Uređaj nemojte ponovno uključiti za vrijeme dok je alat koji se upotrebljava blokiran; time može doći do povratnog udara sa visokim reakcijskim momentom. Pronađite i otklonite uzrok blokiranja alata koji se upotrebljava uz poštivanje sigurnosnih uputa.

Mogući uzroci tome mogu biti:

- Izobličavanje u izratku koji se obrađuje
- Probijanje materijala koji se obrađuje
- Preopterećenje električnog alata

Nemojte sezati u stroj koji radi.

Radni alat je oštrobriđan i može za vrijeme uporabe postati vruć.

UPOZORENJE! Opasnost od rezanja i opekotina

– kod rukovanja s radnim alatima

– kod odlaganja uređaja.

Kod rukovanja radnim alatima nositi zaštitne rukavice.

Piljevina ili iverje se za vrijeme rada stroja ne smiju odstranjivati.

Kod radova na zidu, stropu ili podu paziti na električne kablove kao i vodove plina i vode.

Osigurajte vaš izradak jednim steznom uređenjem. Neosigurani izradci mogu prouzročiti teške povrede i oštećenja.

Prije svih radova na stroju izvaditi bateriju za zamjenu.

Istrošene baterije za zamjenu ne baciti u vatra ili u kućno smeće. Milwaukee nudi mogućnost uklanjanja starih baterija odgovarajuće okolini. Milwaukee nudi mogućnost uklanjanja starih baterija odgovarajuće okolini; upitajte molimo Vašeg stručnog trgovca.

Baterije za zamjenu ne čuvati skupa sa metalnim predmetima (opasnost od kratkog spoja).

Baterije sistema M18 puniti samo sa uređajem za punjenje sistema M18. Ne puniti baterije iz drugih sistema.

Baterije za zamjenu i uređaje za punjenje ne otvarati i čuvati ih samo u suhim prostorijama. Čuvati protiv vlage.

Pod ekstremnim opterećenjem ili ekstremne temperature može iz oštećenih baterija iscuriti baterijska tekućina. Kod dodira sa baterijskom tekućinom odmah isprati sa vodom i sapunom. Kod kontakta sa očima odmah najmanje 10 minuta temeljno ispirati i odmah potražiti liječnika.

Upozorenje! Zbog izbjegavanja opasnosti od požara jednim kratkim spojem, opasnosti od ozljeda ili oštećenja proizvoda, alat, izmjenjivi akumulator ili napravu za punjenje ne uronjavati u tekućine i pobrinite se za to, da u uređaje ili akumulator ne prodiru nikakve tekućine. Korozirajuće ili vodljive tekućine kao slana voda, određene kemikalije i sredstva za bijeljenje ili proizvodji koji sadrže sredstva bijeljenja, mogu prouzročiti kratak spoj.

PROPIISNA UPOTREBA

Baterijski bušači čekić je univerzalno upotrebljiv za čekićno bušenje u kamenu kao i za bušenje drva, metala i plastike, neovisno o priključku na mrežu.

Ovaj aparat se smije potrijebiti samo u određene svrhe kao što je navedeno.

PREOSTALI RIZICI

I kod pravilne uprabe se ne mogu isključiti svi ostaci rizika. Kod uporabe mogu nastati sljedeće opasnosti, na koje poslužioc mora obratiti posebnu pažnju:

- Vibracijama prouzročene ozljede. Uređaj držite na za to predviđenim drškama i ograničite radno vrijeme i vrijeme ekspozicije.
- Opterećenje bukom može dovesti do oštećenja sluha. Nosite zaštitu sluha i ograničite trajanje ekspozicije.
- Česticama prljavštine prouzročene ozljede očiju. Nosite uvijek zaštitne naočale, otporne duge hlače i zatvorene otporne cipele.
- Udisanje otrovnih prašina.

UPUTE ZA LI-ION-AKUMULATORE

Korištenje Li-Ion-akumulatora

Baterije koje duže vremena nisu korištene, prije upotrebe napuniti.

Temperatura od preko 50°C smanjuje učinak baterija. Duže zagrijavanje od strane sunca ili grijanja izbjeci.

Priključne kontakte na punjaču i na akumulatoru držati čistima.

Za optimalni vijek trajanja se akumulatori poslije upotrebe moraju sasvim napuniti.

Za što moguće duži vijek trajanja akumulatori se nakon punjenja moraju odstraniti iz punjača.

Kod skladištenja akumulatora duže od 30 dana:

Akumulator skladištiti na suhom kod ca. 27°C.

Akumulator skladištiti kod ca. 30%-50% stanja punjenja.

Akumulator ponovno napuniti svakih 6 mjeseci.

Zaštita od preopterećenja akumulatora kod Li-Ion-akumulatora

Kod preopterećenja akumulatora kroz vrlo visoku potrošnju struje, npr. ekstremno visoki zakretni momenti, naglim zaustavljanjem ili kratkim spojem, električni alat vibrira za vrijeme od 5 sekundi, pokazivač punjenja treperi i električni alat se samostalno isključuje. Za ponovno uključivanje ispuštiti okidač sklopke i zatim ponovno uključiti. Pod ekstremnim opterećenjima se akumulator prejako zagrije. U tome slučaju trepere sve lampice pokazivača punjenja, sve dok se akumulator ne ohladi. Poslije gašenja pokazivača punjenja se može nastaviti sa radom.

Transport Li-Ion-akumulatora

Litijske-ionske baterije spadaju pod zakonske odredbe u svezi transporta opasne robe.

Prijevoz ovih baterija mora uslijediti uz poštivanje lokalnih, nacionalnih i internacionalnih propisa i odredaba.

- Korisnici mogu bez ustručavanja ove baterije transportirati po cestama.
- Komercijalni transport litijsko-ionskih baterija od strane transportnih poduzeća spada pod odredbe o transportu opasne robe. Otpremničke pripreme i transport smiju izvoditi isključivo odgovarajuće školovane osobe. Kompletni proces se mora pratiti na stručan način.

Kod transporta baterija se moraju poštivati sljedeće točke:

- Uvjerite se da su kontakti zaštićeni i izolirani kako bi se izbjegli kratki spojevi.
- Pazite na to, da blok baterija unutar pakiranja ne može proklizavati.
- Oštećene ili iscurjele baterije se ne smiju transportirati.

U svezi ostalih uputa obratite se vašem prijevoznom poduzeću.

RADNE UPUTE

Kod bušenja ili udaranjem čekićem ne primijeniti previše snage. Ostavite neka bušači čekić radi za sebe.

RAD NA HLADNOĆI

Kada se stroj za duže vrijeme ili kod niskih temperatura uskladišti, podmazivanje može postati viskozno i moguće je da stroj na početku ne radi odmah ili da je snaga premala. Ako se to desi:

1. Umetnite u stroj svrdlo ili dljetlo.
2. Stroj postavite na jedan preostali komad betona.
3. Aktivirajte pritisnu tipku svakih nekoliko sekunda i opet ju ispuštite.

Poslije 15 sekunda do 2 minute stroj počinje normalno udarati čekićem. Što je stroj hladniji, to dulje traje zagrijavanje.

ČIŠĆENJE

Prereze za prozračivanje stroja uvijek držati čistima.

ODRŽAVANJE

Kod istrošenih ugljenih četkica bi se uz zamjenu ugljenih četkica trebao dodatno sprovesti servis u nekoj servisnoj radionici. To povećava vijek trajanja stroja i jamči stalnu spremnost pogona.

Primijeniti samo Milwaukee opremu i Milwaukee rezervne dijelove. Sastavne dijelove, čija zamjena nije opisana, dati zamijeniti kod jedne od Milwaukee servisnih službi (poštivati brošuru Garancija/ Adrese servisa).

Po potrebi se crtež pojedinih dijelova aparata uz navođenje podatka o tipu stroja i šestznamenastog broja na pločici snage može zatražiti kod vašeg servisa ili direktno kod Techtronic Industries GmbH, Max-Eyth-Straße 10, 71364 Winnenden, Njemačka.

SYMBOLI

	Molimo da pažljivo pročitate uputu o upotrebi prije puštanja u rad.
	PAŽNJA! UPOZORENIE! OPASNOST!
	Prije svih radova na stroju izvaditi bateriju za zamjenu.
	Kod radova na stroju uvijek nositi zaštitne naočale.
	Nositi zaštitu sluha!
	Nositi prikladnu zaštitnu masku protiv prašine.
	Nositi zaštitne rukavice!
	Antivibracijski sustav smanjuje vibracije stroja na ručki.
	Oprema - u opsegu isporuke nije sadržana, preporučena dopuna iz promgrama opreme.
	Stare baterije, električni i elektronički uređaji se ne smiju zbrinjavati skupa sa kućnim smećem. Stare baterije, električni i elektronički uređaji se moraju odvojeno skupljati i zbrinuti. Prije zbrinjavanja odstranite stare baterije, stare akumulatore i rasvjetna sredstva iz uređaja. Raspitajte se kod mjesnih vlasti ili kod Vašeg stručnog trgovca o mjestima recikliranja i mjesta skupljanja. Zavisno o mjesnim odredbama stručni trgovci mogu biti obvezatni, stare baterije, elektroničke i elektroničke stare uređaje besplatno uzeti nazad. Doprinesite kroz ponovnu primjenu i recikliranje Vaših starih baterija, električnih i elektronskih uređajatom, da se potreba za sirovinama smanji. Stare baterije (prije svega litij-ionske baterije, električne i elektronske stare uređaje sadrže dragocjene, ponovno uporabljive materijale, koje bi kod zbrinjavanja protivno očuvanju okoline mogli imati negativne posljedice za okolinu i Vaše zdravlje. Prije zbrinjavanja izbršite postojeće podatke koji se odnose na osobu, koji se po mogućnosti nalaze na Vašem starom uređaju.
	Broj okretaja u praznom hodu
	Napon

	Istosmjerna struja
	Europski znak suglasnosti
	Britanski znak suglasnosti
	Ukrajinski znak suglasnosti
	Euroazijski znak suglasnosti

TEHNIŠKIE DATI	M18 BLHACD26
Konstrukcija	Akumulatora rotéjošais ámurs
Izlaides numurs	4919 77 01 XXXXXX MJJJJ
Akumulatora spriegums	18 V ---
Atseviškā sitienu enerģija	2,6 J
Tukšgaitas apgriezianu skaits	0-1270 min ⁻¹
Sitienu biežums ar slodzi	0-4600 min ⁻¹
Kakla diametrs	43 mm
Urbšanas diametrs betonā	26 mm
Urbšanas diametrs tēraudā	13 mm
Urbšanas diametrs kokā	28 mm
Vieglais kronurbis kriegelēm un kalksmišakmenim	65 mm
Svars atbilstoši EPTA -Procedure 01/2014 (2,0 Ah ... 12,0 Ah)	2,8 kg ... 3,9 kg
Leteicamā vides temperatūra darba laikā	-18...+50 °C
Leteicamie akumulatoru tipi	M18 B...; M18 HB...
Leteicamās uzlādes ierīces	M12-18...; M18 DFC; M1418 C6

Trokšņu informācija:

Vērtības, kas noteiktas saskaņā ar EN 62841.

A novērtētās aparatūras skaņas līmenis ir:

Trokšņa spiediena līmenis / Nedrošība K	93,5 dB(A) / 3 dB(A)
Trokšņa jaudas līmenis / Nedrošība K	104,5 dB(A) / 3 dB(A)

Nēsājiet ausu aizsargus.

Vibrāciju informācija: Svārstību kopējā vērtība (Trīs virzienu vektoru summa) tiek noteikta atbilstoši EN 62841.

Svārstību emisijas vērtība a_h / Nedrošība K

Urbšana betonā ($a_{h,HD}$)	13,9 m/s ² / 1,5 m/s ²
Skaldīšana ($a_{h,Cheg}$)	13,2 m/s ² / 1,5m/s ²

UZMANĪBU!

Vibrācijas un trokšņa emisijas līmenis šajā informācijas lapā ir izmērīts saskaņā ar EN 62841 standarta testa metodi un var tikt izmantots, lai salīdzinātu vienu ierīci ar otru. Tās var tikt izmantotas ietekmes sākotnējai izvērtēšanai.

Norādītā svārstību robežvērtība ir reprezentatīva elektroinstrumenta pamata pielietojuma jomām. Tomēr, ja elektroinstrumenti tiek lietoti citās jomās, papildus izmantojot neatbilstošus elektroinstrumentus vai pēc nepietiekamas tehniskās apkopes, tad svārstību robežvērtība var atšķirties. Tas var ievērojami palielināt svārstību noslogojumu visa darba laikā.

Precīzai svārstību noslogojuma noteikšanai, ir jāņem vērā arī laiks, kad ierīces ir izslēgtas vai arī ir ieslēgtas, tomēr faktiski netiek lietota. Tas var ievērojami samazināt svārstību noslogojumu visa darba laikā.

Lai aizsargātu operatoru no vibrācijas un/vai trokšņa, veiciet papildu drošības pasākumus, piemēram, veiciet apkopi ierīcei un papildaprīkojumam, uzturiet rokas siltas, organizējiet darba grafiku.

BRĪDINĀJUMS Izlasiet visus šim elektroinstrumentam pievienotos drošības brīdinājumus, instrukcijas, ilustrācijas un specifiskās. Nespēja ievērot visas zemāk uzskaitītās instrukcijas var novest pie elektrošoka, ugunsgrēka un/vai smagiem savainojumiem. **Pēc izlasīšanas uzglabājiet šos noteikumus turpmākai izmantošanai.**

DROŠĪBAS INSTRUKCIJAS ROTĀCIJAS ĀMURU

Darba drošības noteikumi

Nēsājiet ausu aizsargus. Trokšņa iedarbības rezultātā var rasties dzirdes traucējumi.

Lietojiet instrumentam pievienotos papildus rokturus. Zaudējot kontroli, var gūt ievainojumus.

Leģerī turiet aiz izolētiem rokturiem, ja veicat darbus, kuros griešanas darbiem izmantojamais instruments var skart paslēptus elektro vadus.

Šī instrumenta saskare ar strāvu vadošiem kabeļiem var radīt spriegumu arī ierīces metālisķājs daļās un var izraisīt elektrisko triecienu.

Drošības instrukcija triecienu riskam ar garo vītņu lietošanai

Urbšanu vienmēr sāciet ar zemāku apgriezianu skaitu un vienmēr tikai tad, kad urbis jau ir saskāries ar sagatavi. Ja apgriezianu skaits ir lielāks, urbis var saliekties, ja griežas bez saķeres ar sagatavi, kā rezultātā var rasties savainojumi.

Izdariet spiedienu tikai tieši līnijā ar urbi un nespiediet pārāk stipri. Urbis var saliekties un salūzt vai radīt kontroles zudumu pār ierīci, kā rezultātā pastāv savainojumu rašanās risks.

CITAS DROŠĪBAS UN DARBA INSTRUKCIJAS

Valkājiet individuālu aizsargaprīkojumu. Vienmēr lietojiet aizsargbrilles. Piemērota aizsargaprīkojuma izmantošana, tāda kā sejas aizsargmaska, neslidoši apavi, aizsargķivere vai dzirdes aizsarglīdzekļi, samazina ievainojumu risku.

Putekļi, kas rodas darba gaitā, bieži ir kaitīgi veselībai un tiem nevajadzētu nokļūt organismā. Jānēsā piemērota maska, kas pasargā no putekļiem.

Nedrīkst apstrādāt materiālus, kas rada draudus veselībai (piemēram, azbestu).

Ja izmantojamais darba rīks tiek bloķēts, nekavējoties izslēgt ierīci! Neieslēdziet ierīci, kamēr izmantojamais darba rīks ir bloķēts; var rasties atsitens ar augstu griezes momentu. Noskaidrojiet un novērsiet izmantojamā darba rīka bloķēšanas iemeslu, ievērojot visas drošības norādes.

Iespējamie iemesli:

- iespējams apstrādājamajā materiālā
- apstrādājams materiāls ir caurists
- elektroiņstrumēti ir pārslōgots

Leslēgtai ierīcei nepieskariēs.

Ierīces uzgājiem ir asas malas un lietošanas laikā tas var sakarst.

BRĪDINĀJUMS! Sagriešanās un apdedzināšanās risks
 – strādājot ar ierīci;
 – novietojot ierīci.

Strādājot ar ierīci, valkājiet aizsargcimdus.

Skaidas un atūžas nedrīkst ņemt ārā, kamēr mašīna darbojas.

Veicot darbus sienu, griestu un grīdas apvidū, vajag uzmanīties, lai nesabojātu elektriskos, gāzes un ūdens vadus.

Fiksējiet apstrādājamo materiālu ar fiksācijas aprīkojumu.
 Nenostiprināti materiāli var izraisīt smagus savainojumus un bojājumus.

Pirms mašīnai veikt jebkāda veida apkopes darbus, ir jāizņem ārā akumulators.

Izmantotos akumulārus nedrīkst mest ugunī vai parastajos atkritumos. Firma Milwaukee piedāvā iespēju vecos akumulātorus savākt apkārtejo vidi saudzējošā veidā; jautājiet specializētā veikalā.

Akumulātorus nav ieteicams glabāt kopā ar metāla priekšmetiem (iespējams īsslēgums).

M18 sistēmas akumulātorus lādēt tikai ar M18 sistēmas lādētājiem. Nedrīkst lādēt citus akumulātorus no citām sistēmām.

Akumulātorus un lādētājus nedrīkst taisyt vaļā un tie jāuzglabā sausās telpās.

Pie ārkārtas slodzes un ārkārtas temperatūrām no bojātā akumulātorā var iztecēt akumulātorā šķidrums. Ja nonākat saskarsmē ar akumulātorā šķidrumu, saskarsmes vieta nekavējoties jānomazgā ar ūdeni un ziepēm. Ja šķidrums nonācis acīs, acis vismaz 10 min. skalot un nekavējoties konsultēties ar ārstu.

Brīdinājums! Lai novērstu īssavienojuma izraisītu aizdegšanās, savainojumu vai produkta bojājuma risku, neiegremdējiet instrumentu, maināmo akumulātoru vai uzlādes ierīci šķidrums un rūpējieties par to, lai ierīces un akumulatoros neiekļūtu šķidrums. Koroziju izraisoši vai vadītspējīgi šķidrums, piemēram, sālsūdens, noteiktas ķīmikālijas, balinātāji vai produkti, kas satur balinātājus, var izraisīt īssavienojumu.

NOTEIKUMIEM ATBILSTOŠS IZMANTOJUMS

Atskaldāmāis āmurs ar akumulātoriem ir universāli izmantojams akmens skaldīšanai un koka, metāla un plastmasas urbšanai neatkarīgi no tikla pieslēguma.

Šo instrumentu drīkst izmantot tikai saskaņā ar minētajiem lietošanas noteikumiem.

CITI RISKI

Arī, pareizi lietojot ierīci, nav iespējams izslēgt pilnīgi visus riskus. Lietojot ierīci, var rasties šāds apdraudējums, kam lietotājam jāpievērš īpaša uzmanība:

- Vibrācijas radītais traumas.
Turiet ierīci aiz tam paredzētajiem rokturiem un ierobežojiet darba un ekspozīcijas laiku.
- Troksnis var bojāt dzirdi.
Lietojiet dzirdes aizsargierīces un ierobežojiet ekspozīcijas laiku.
- Netīrumu daļiņas var traumēt acis.
Vienmēr valkājiet aizsargbrilles, stingras, garas bikses un izturīgus apavus.
- Indīgu putekļu ieelpošana.

NORĀDĪJUMI LI TIJA JONU AKUMULATORIEM

Litija jonu akumulatoru lietošana

Akumulātori, kas ilgāku laiku nav izmantoti, pirms lietošanas jāuzlādē.

Pie temperatūras, kas pārsniedz 50°C, akumulātoru darbība tiek negatīvi ietekmēta. Vajag izvairīties no ilgākas saules un karstuma iedarbības.

Lādētāja un akumulatoru pievienojuma kontakti jāuztur tīri.

Lai baterijas darba ilgums būtu optimāls, pēc iekārtas izmantošanas tā jāuzlādē.

Lai akumulatori kalpotu pēc iespējas ilgāku laiku, akumulatorus pēc uzlādes ieteicams atvienot no lādētājiēriēces.

Akumulatora uzglabāšana ilgāk kā 30 dienas: uzglabāt akumulatoru pie aptuveni 27°C un sausā vietā. Uzglabāt akumulatoru uzlādes stāvoklī aptuveni pie 30%-50%. Uzlādēt akumulatoru visus 6 mēnešus no jauna.

Litija jonu akumulatoru aizsardzība pret pārslodzi

Akumulatoru pārslōguma gadījumos, esot ļoti lielam elektroenerģijas patēriņam, piem., ārkārtīgi augsts griezes moments, urbja iekēršanās, pēkšņa apstāšanās vai īssavienojums, elektriskais darbarīks 5 sekundes vibrē, uzlādes indikators mirgo, un elektriskais darbarīks pats izslēdzas.

Lai to atkal ieslēgtu, atlaidiet ieslēgšanas pogu un tad to ieslēdziet no jauna.

Esot ārkārtīgi augstam noslōgumam, akumulators sakarst pārāk daudz. Šādā gadījumā visas uzlādes indikatora lampiņas mirgo tik ilgi, kamēr akumulators ir atdzisis. Darbu turpināt, kad uzlādes indikators vairs nedeg.

Litija jonu akumulatoru transportēšana

Uz litija jonu akumulatoriem attiecas noteikumi par bīstamo kravu pārvadāšanu.

Šo akumulatoru transportēšana jāveic saskaņā ar vietējiem, valsts un starptautiskajiem normatīvajiem aktiem un noteikumiem.

- Patērētāja darbības, pārvadājot šos akumulatorus pa autoceļiem, nav reglamentētas.
- Uz litija jonu akumulatoru komerciālu transportēšanu, ko veic ekspedīcijas uzņēmums, attiecas bīstamo kravu pārvadāšanas noteikumi. Sagatavošanas darbus un transportēšanu drīkst veikt tikai atbilstoši apmācīts personāls. Viss process jāveda profesionāli.

Veicot akumulatoru transportēšanu, jāievēro:

- Pārļiecinieties, ka kontakti ir aizsargāti un izolēti, lai izvairītos no īssavienojumiem.
- Pārļiecinieties, ka akumulators iepakojumā nevar paslīdēt.
- Bojātus vai tekošus akumulatorus nedrīkst transportēt.

Plašāku informāciju Jūs varat saņemt no ekspedīcijas uzņēmuma.

DARBA NORĀDĪJUMI

Urbjot vai perforējot, nelietojiet pārāk daudz spēka. Ļaujiet triecienuurbim veikt darbu Jūsu vietā.

DARBI AUKSTOS LAIKAPSTĀKĻOS

Ja mašīna tiek uzglabāta ilgāku laika periodu vai zemās temperatūrās, eļļa var kļūt stīgra un mašīna sākumā var nestrādāt vai arī strādāt ar nepietiekamu jaudu. Ja tā notiek:

1. Ievietojiet mašīnā urbi vai katlu.
2. Novietojiet mašīnu uz betona gabala.
3. Nospiediet un atlaidiet slēdzi ik pēc pāris sekundēm.

Mašīna atsāk normālu darbību pēc 15 sekundēm līdz 2 minūtēm. Jo aukstāka ir mašīna, jo ilgāk notiek uzsilšana.

TĪRĪŠANA

Vajag vienmēr uzmanīti, lai būtu tīras dzesēšanas atveres.

APKOPE

Ja ir nolietojušās elektromotora ogļītes, papildus to nomainai būtu jāveic instrumenta apskate sevisa darbnīcā. Tas pagarinās mašīnas kalpošanas ilgumu un garantēs tās pastāvīgu darbību.

Izmantojiet tikai firmu Milwaukee piederumus un firmas Milwaukee rezerves daļas. Lieciet nomainīt detaļas, kuru nomaināna nav aprakstīta, kādā no firmu Milwaukee klientu apkalpošanas servisiem. (Skat. brošūru „Garantija/klientu apkalpošanas serviss“.)

Pēc pieprasījuma, Jūsu Klientu apkalpošanas centrā vai pie Technotronic Industries GmbH, Max-Eyth-Straße 10, 71364 Winnenden, Vācijā, ir iespējams saņemt iekārtas montāžas rasējumu, iepriekš norādot iekārtas modeli un sērijas numuru, kas atrodas uz datu plāksnītes un sastāv no sešiem simboliem.

SIMBOLI

	Pirms sākt lietot instrumentu, lūdzu, izlasiet lietošanas pamācību.
	UZMANĪBU! BĪSTAMI!
	Pirms mašīnai veikt jebkāda veida apkopes darbus, ir jāizņem ārā akumulators.
	Strādājot ar mašīnu, vienmēr jānēsā aizsargbrilles.
	Nēsāt trokšņa slāpētāju!
	Jānēsā piemērota maska, kas pasargā no putekļiem.
	Jāvalkā aizsargcimdi!
	Pretvibrācijas sistēma samazina mašīnas vibrāciju uz roktura.
	Piederumi - standartaprīkojumā neietvertās, bet ieteicamās papildus komplektācijas detaļas no piederumu programmas.



Neutilizējiet bateriju atkritumus, elektrisko un elektronisko iekārtu atkritumus kā nešķirotus sadzīves atkritumus. Bateriju atkritumi un elektrisko un elektronisko iekārtu atkritumi ir jāsavāc atsevišķi. Bateriju atkritumi, akumulatoru atkritumi un gaismas avotu atkritumi ir jānoņem no iekārtas. Sazinieties ar vietējo iestādi vai mazumtirgotāju, lai iegūtu padomus par atbilstošu pārstrādi un savākšanas punktu.

Atkarībā no vietējiem noteikumiem, mazumtirgotājiem var būt pienākums bez maksas pieņemt atpakaļ bateriju atkritumus un elektrisko un elektronisko iekārtu atkritumus. Jūsu ieguldījums bateriju atkritumu un elektrisko un elektronisko iekārtu atkritumu atkārtotā izmantošanā un atbilstošā pārstrādē palīdz samazināt pieprasījumu pēc izejvielām.

Bateriju atkritumos, īpaši tajos, kas satur litiju, un elektrisko un elektronisko iekārtu atkritumos ir vērtīgi, otrreiz pārstrādājami materiāli, kas var negatīvi ietekmēt vidi un cilvēku veselību, ja tie netiek utilizēti videi draudzīgā veidā. No iekārtu atkritumiem izdzēsiet personāla datus, ja tādi ir.

	Tukšgaitas apgriezīnu skaits
	Spriegums
	Līdzstrāva
	Eiropas atbilstības zīme
	Apvienotās Karalistes atbilstības zīme
	Ukrainas atbilstības zīme
	Eirāzijas atbilstības zīme

TECHNINIAI DUOMENYS	M18 BLHACD26
Konstrukcija	Sukamasis plaktukas su akumuliatoriumi
Produkto numeris	4919 77 01 XXXXX MJJJJ
Keičiamo akumuliatoriaus įtampa	18 V ---
Pavienio smūgio jėga	2,6 J
Sūkių skaičius laisva eiga	0-1270 min ⁻¹
Smūgių skaičius su apkrova	0-4600 min ⁻¹
Įveržimo ašies ø	43 mm
Gręžimo ø betone	26 mm
Gręžimo ø pliene	13 mm
Gręžimo ø medienoje	28 mm
Lengvo gręžimo antgalis degtose ir silikatinėse plytose	65 mm
Prietaiso svoris įvertintas pagal EPTA 2014/01 tyrimų metodiką (2,0 Ah ... 12,0 Ah)	2,8 kg ... 3,9 kg
Rekomenduojama aplinkos temperatūra dirbant	-18...+50 °C
Rekomenduojami akumuliatorių tipai	M18 B...; M18 HB...
Rekomenduojami įkrovikliai	M12-18...; M18 DFC; M1418 C6
Informacija apie keliamą triukšmą: Vertės matuotos pagal EN 62841.	
Įvertintas A įrenginio keliamo triukšmo lygis dažniausiai sudaro:	
Garso slėgio lygis / Paklaida K	93,5 dB(A) / 3 dB(A)
Garso galios lygis / Paklaida K	104,5 dB(A) / 3 dB(A)
Nešiokite klausos apsaugos priemones.	
Informacija apie vibraciją: Bendroji svyravimų reikšmė (trijų krypčių vektorių suma), nustatyta remiantis EN 62841.	
Vibravimų emisijos reikšmė a _v / Paklaida K	
Gręžimas betone (a _{h,HD})	13,9 m/s ² / 1,5 m/s ²
Atskėlimas (a _{h,Chetq})	13,2 m/s ² / 1,5m/s ²

⚠ DĖMESIO!

Šiame vadove nurodytos bendrosios vibracijos ir triukšmo emisijos vertės nustatytos pagal standartinius bandymo metodus pagal EN 62841, todėl gali būti taikomos lyginant vieną įrankį su kitu. Gali būti naudojama preliminarium poveikio įvertinimui.

Nurodyta svyravimų ribinė vertė yra taikoma pagrindinėse elektrinio instrumento naudojimo srityse. Svyravimų ribinė vertė gali skirtis naudojant elektrinį instrumentą kitose srityse, papildomai naudojant netinkamus elektrinius instrumentus arba juos nepakankamai techniškai prižiūrint. Dėl to viso darbo metu gali žymiai padidėti svyravimų apkrova.

Siekiant tiksliai nustatyti svyravimų apkrovą, būtina atsižvelgti ir į laikotarpį, kai įrenginys yra išjungtas arba įjungtas, tačiau faktiškai nenaudojamas. Dėl to viso darbo metu gali žymiai sumažėti svyravimų apkrova.

Tam, kad naudotojas būtų apsaugotas nuo vibracijos ir (arba) triukšmo poveikio, reikia nustatyti papildomus saugos reikalavimus, pavyzdžiui: tinkamai prižiūrėti prietaisą ir jo priedus, laikyti rankas šiltais, organizuoti darbo modelius.

⚠ WARNING Perskaitykite visus saugumo įspėjimus, instrukcijas, peržiūrėkite iliustracijas ir specifikacijas, pateiktas kartu su šiuo įrankiu. Jei nepaisysite visų toliau pateiktų instrukcijų, gali trenkti elektros smūgis, kilti gaisras ir/arba galite sunkiai sužaloti arba sužaloti kitus asmenis. **Išsaugokite šias saugos nuorodas ir reikalavimus, kad ir ateityje galėtumėte jais pasinaudoti.**

SAUGOS INSTRUKCIJOS PERFORATORIAI

Bendrosios visų darbų saugos instrukcijos

Nešiokite klausos apsaugos priemones. Triukšmo poveikį galima netekti klausos.

Naudokite į prietaiso komplektaciją įeinančias papildomas rankenas. Nesuvaldžius prietaiso galima susižeisti.

Dirbdami laikykite prietaisą už izoliuotų vietų, kuriose pjovimo įrenginys pats galėtų liesti paslėptus laidus.

Pjovimo įrenginio kontaktas su įtampos laidais gali įelektrinti metalines prietaiso dalis, o tai gali sukelti elektros iškvąvą.

Plaktukinių gręžtuvų naudojimo su ilgais grąžtais saugos nurodymai

Nedidelį sūkių skaičių nustatykite pradžioje ir tuomet, kai įstatomasis grąžtas liečiasi prie ruošinio. Didesniu sūkių skaičiumi veikiantis įstatomasis grąžtas gali sulinkti, kai sukdamasis neliečia ruošinio, todėl kyla pavojus susižaloti.

Visada spauskite tik tiesiogiai įstatomojo grąžto kryptimi ir niekada nespauskite per stipriai. Įstatomieji grąžtai gali sulinkti ir nulūžti arba galite nesuvaldyti prietaiso ir taip pat susižaloti.

KITI SAUGUMO IR DARBO NURODYMAI

Naudokite asmenines apsaugos priemones. Visada mūvėkite apsaugines pirštines. Asmeninių apsaugos priemonių, pavyzdžiui, nuo dulkių apsaugančios kaukės, neslidžios avalynės, apsauginio šalmo ar klausos organų apsaugos priemonės, naudojimas sumažina sužalojimų riziką.

Darbo metu susidaranti dulkės yra dažnai kenksmingos sveikatai ir todėl turėtų nepatekti į organizmą. Dėvėti tinkamą apsauginę kaukę nuo dulkių.

Negalima apdirbti medžiagų, dėl kurių gali būti sveikatos pažeidimai (pvz., asbesto).

Blokuojant įstatomąjį įrankį būtina išjungti prietaisą! Neįjunkite prietaiso, kol įstatomasis įrankis yra užblokuotas; galimas grįžtamasis smūgis su dideliu sukimo momentu. Atsižvelgdami į

saugumo nurodymus, nustatykite ir pašalinkite įstatomojo įrankio blokavimo priežastį.

Galimos priežastys:

- Susidariusios apdirbamo ruošinio briaunos
- Apdirbamos medžiagos pratrūkimas
- Elektros įrankio perkrova

Nekiškite rankų į veikiančią mašiną.

Darbinis įrankis yra aštriabriaunis ir naudojimo metu gali įkaisti.

ĮSPĖJIMAS! Pavojus įsijauti ir nudegti:

- dirbant su darbinium įrankiu,
- padedant prietaisą.

Dirbdami su darbinium įrankiu, mūvėkite apsaugines pirštines.

Draudžiama išiminti drožles ar nuopjovas, įrenginiui veikiant.

Dirbdami sienoje, lubose arba grindyse, atkreipkite dėmesį į elektros laidus, dujų ir vandens vamzdžius.

Ruošinį užfiksuokite įtempimo įrenginiu. Neužfiksuoti ruošiniai gali sunkiai sužaloti ir būti pažeidimų priežastimi.

Prieš atlikdami bet kokius darbus įrenginyje, išimkite keičiamą akumuliatorių.

Sunaudotų keičiamų akumuliatorių nedeginkite ir nemeskite į buitines atliekas. „Milwaukee“ siūlo tausojantį aplinką sudėvėtų keičiamų akumuliatorių tvarkymą, apie tai prekybos atstovo.

Keičiamų akumuliatorių nelaikykite kartu su metaliniais daiktais (trumpojo jungimo pavojus).

Keičiamus M18 sistemos akumuliatorius kraukite tik „C18“ sistemos įkrovikliams. Nekraukite kitų sistemų akumuliatorių.

Keičiamų akumuliatorių ir įkroviklių nelaikykite atvirai. Laikykite tik sausoje vietoje. Saugokite nuo drėgmės.

Ekstremalių apkrovų arba ekstremalios temperatūros poveikyje iš keičiamų akumuliatorių gali ištekėti akumuliatoriaus skystis. Išsitempus akumuliatoriaus skysčiu, tuoj pat nuplaukite vandeniu su muilu. Patekus į akis, tuoj pat ne trumpiau kaip 10 minučių gausiai skalaukite vandeniu ir tuoj pat kreipkitės į gydytoją.

Įspėjimas! Siekdami išvengti trumpojo jungimo sukeliama gaisro pavojaus, sužalojimų arba produkto pažeidimų, neikiškite įrankio, keičiamo akumuliatoriaus arba įkroviklio į skysčius ir pasirūpinkite, kad į prietaisus arba akumuliatorius nepatektų jokių skysčių. Koroziją sukeliantys arba laidūs skysčiai, pvz., sūrus vanduo, tam tikri chemikalai ir balikliai arba produktai, kurių sudėtyje yra baliklių, gali sukelti trumpąjį jungimą.

NAUDOJIMAS PAGAL PASKIRTĮ

Akumuliatorinį smūginį gręžtuvą galima universaliai naudoti smūginiam gręžimui uolienoje ir gręžimui medienoje, metale ir plastike nepriklausomai nuo elektros tinklo.

Šį prietaisą leidžiama naudoti tik pagal nurodytą paskirtį.

LIKUTINĖ RIZIKA

Net ir tinkamai naudojant įrenginį neįmanoma apsisaugoti nuo visų liekamųjų rizikų. Naudojant įrenginį gali kilti šie pavojai, į kuriuos naudotojui ypač svarbu atkreipti dėmesį:

- Vibracijos sukeliama sužalojimai. Įrenginį laikykite už tam skirtų rankenų ir apribokite darbo bei ekspozicijos trukmę.
- Dėl triukšmo gali būti pažeista klausos. Naudokite klausos organų apsaugos priemones ir apribokite ekspozicijos trukmę.
- Nešvarumų dalelių sukeliama akių sužalojimai. Visuomet būkite su apsauginiais akiniais, mūvėkite tvirtas ilgas kelnes ir avėkite tvirtus apsauginius batus.
- Nuodingų dulkių įkvėpimas.

NURODYMAI DĖL LIČIO JONŲ AKUMULIATORIAUS

Ličio jonų akumuliatoriaus naudojimas

Ilgesnį laiką nenaudotus akumuliatorius prieš naudojimą įkraukite.

Aukštesnė nei 50°C temperatūra mažina akumuliatorių galia. Venkite ilgesnio saulės ar šilumos šaltinių poveikio.

Įkroviklio ir akumuliatoriaus jungiamieji kontaktai visada turi būti švarūs.

Kad prietaisas kuo ilgiau veiktų, pasinaudoję juo, iki galo įkraukite akumuliatorių.

Siekiant užtikrinti kuo ilgesnį akumuliatoriaus tarnavimo laiką, reikėtų jį po atlikto įkrovimo iškart išimti iš įkroviklio.

Bateriją laikant ilgiau nei 30 dienų, būtina atkreipti dėmesį į šias nuorodas: bateriją laikyti sausoje aplinkoje, esant apie 27 °C temperatūrai. Baterijos įkrovimo lygis turi būti nuo 30% iki 50%. Baterija pakartotinai turi būti įkraunama kas 6 mėnesius.

Ličio jonų akumuliatoriaus apsauga nuo perkrovos

Esant akumuliatoriaus perkrovai dėl pernelyg didelio srovės suvartojimo, pvz.: itin didelių apskūų, gręžtuvo užsikirtimo, staigaus sustabdymo ar trumpojo jungimo, elektrinis įrankis vibruoja 5 sekundes, signalinis įkrovos rodmuo pradeda mirksėti ir elektrinis įrankis automatiškai išsijungia.

Norint įrankį pakartotinai įjungti, reikia atleisti jungiklį ir vėl jį įjungti. Esant ekstremalioms apkrovoms akumuliatorius per stipriai įkaista. Tokiu atveju visos įkrovos lemputės mirksi taip ilgai, kol akumuliatorius atvėsta. Užgesus įkrovos rodmėms įrankiu galima naudotis toliau.

Ličio jonų akumuliatoriaus transportavimas

Ličio jonų akumuliatoriams taikomos įstatyminės nuostatos dėl pavojingų krovinių pervežimų.

Šiuos akumuliatorius pervežti būtina laikantis vietinių, nacionalinių ir tarptautinių direktyvų ir nuostatų.

- Naudotojai šiuos akumuliatorius gali naudoti savo transporte be jokių kitų sąlygų.
- Už komercinį ličio jonų akumuliatorių pervežimą atsako ekspedicijos įmonė pagal nuostatas dėl pavojingų krovinių pervežimo. Pasirusimo išsiųsti ir pervežimo darbus gali atlikti tik atitinkamai išmokyti asmenys. Visas procesas privalo būti prižiūrimas.

Pervežant akumuliatorius būtina laikytis šių punktų:

- Siekiant išvengti trumpųjų jungimų, įsitikinkite, kad kontaktai yra apsaugoti ir izoliuoti.
- Atkreipkite dėmesį, kad akumuliatorius pakuotės viduje neslidintų.
- Draudžiama pervežti pažeistus arba tekančius akumuliatorius.

Dėl detalesnių nurodymų kreipkitės į savo ekspedicijos įmonę.

DARBO NUORODOS

Gręždami arba naudodami plaktukus nenaudokite per daug jėgos. Leiskite veikti pačiam perforatoriui.

DARBAS ESANT ŠALČIUI

Jei įrankis sandėliuojamas ilgą laiką arba esant žemai temperatūrai, sutepti gali pasidaryti sudėtinga ir įrankis iš pradžių gali neveikti arba pasidaryti per mažą jo galia. Jei taip atsitinka:

1. įstatykite grąžtą arba kaltą į įrankį;
 2. padėkite įrankį ant betono gabalo;
 3. kas dvi sekundes spauskite jungiklio mygtuką ir vėl jį atleiskite;
- Po 15 sekundžių – 2 minučių įrankis pradeda veikti įprastai. Kuo šaltesnis įrankis, tuo daugiau laiko prireiks atšilti.

VALYMAS

Įrenginio vėdinimo angos visada turi būti švarios.

TECHNINIS APTARNAVIMAS

Keičiant susidėvėjusius anglinius šepetėlius, be šepetėlių keitimo aptarnavimo dirbtuvėse reikėtų atlikti techninį prietaiso aptarnavimą. Tai prailgina įrenginio tarnavimo laiką ir užtikrina nuolatinę parengtį darbui.

Naudokite tik „Milwaukee“ priedus ir „Milwaukee“ atsargines dalis. Dalis, kurių keitimas neaprašytas, leidžiama keisti tik „Milwaukee“ klientų aptarnavimo skyriams (žr. garantiją/klientų aptarnavimo skyrių adresus brošiūroje).

Esant poreikiui, nurodžius mašinos modelį ir šešiaženklį numerį, esantį ant specifikacijų lentelės, klientų aptarnavimo centre arba tiesiogiai „Techtronic Industries GmbH“, Max-Eyth-Str. 10, 71364 Winnenden, Vokietija, galite užsakyti išplėstinį prietaiso brėžinį.

SIMBOLIAI

	Prieš pradėdami dirbti su prietaisu, atidžiai perskaitykite jo naudojimo instrukciją.
	DĖMESIO! ĮSPĖJIMAS! PAVOJUS!
	Prieš atlikdami bet kokius darbus įrenginyje, išimkite keičiamą akumuliatorių.
	Dirbdami su įrenginiu visada nešiokite apsauginius akinius.
	Nešioti klausos apsauginės priemonės!
	Dėvėti tinkamą apsauginę kaukę nuo dulkių.
	Lietojiet aizsardzības cimdus!
	Antivibracinė sistema sumažina prietaiso vibraciją ties rankena.
	Priedas – neįeina į tiekimo komplektaciją, rekomenduojamas papildymas iš priedų asortimento.



Neišmeskite baterijų atliekų, elektros ir elektroninės įrangos atliekų kaip nerūšiuotų komunalinių atliekų. Baterijų ir elektros bei elektroninės įrangos atliekos turi būti surenkamos atskirai. Iš įrangos turi būti pašalintos baterijų, akumuliatorių atliekos ir šviesos šaltiniai. Patarimų dėl perdirbimo ir surinkimo vietos kreipkitės į vietinę instituciją arba pardavėją. Priklausomai nuo vietos teisės aktu, mažmenininkai gali būti pareigoti nemokamai priimti atgal senas baterijas, seną elektros ir elektronikos įrangą. Jūsų indėlis į pakartotinį baterijų ir elektros bei elektroninės įrangos atliekų panaudojimą ir perdirbimą padeda sumažinti žaliavų poreikį. Akumuliatorių, ypač kurių sudėtyje yra ličio, ir elektros bei elektroninės įrangos atliekose yra vertingų, perdirbamų medžiagų, kurios gali neigiamai paveikti aplinką ir žmonių sveikatą, jei jos nebus šalinamos aplinką tausojančiu būdu. Ištrinkite personalo duomenis iš įrangos atliekų, jei tokių yra.



Sūkių skaičius tuščiaja eiga



Įtampa



Nuolatinė srovė



Europos atitikties ženklas



Jungtinės Karalystės atitikties ženklas



Ukrainos atitikties ženklas



Eurazijos atitikties ženklas



TEHNILISED ANDMED

	M18 BLHACD26
Konstruksioon	Juhtmeta pöördvasar
Tootmisnumber	4919 77 01 XXXXX MJJJ
Vahetatava aku pinge	18 V ---
Üksiklöögi tugevus	2,6 J
Pöörlemiskiirus tühjooksul	0-1270 min ⁻¹
Löökide arv koormusega	0-4600 min ⁻¹
Kinnituskaela ø	43 mm
Puuri ø betoonis	26 mm
Puuri ø terases	13 mm
Puuri ø puidus	28 mm
Kerg-kroonpuur tellistes ja silikaatkivides	65 mm
Kaal vastavalt EPTA-protseduurile 01/2014 (2,0 Ah ... 12,0 Ah)	2,8 kg ... 3,9 kg
Soovituslik ümbritsev temperatuur töötamise ajal	-18...+50 °C
Soovituslikud akutüübid	M18 B...; M18 HB...
Soovituslik laadija	M12-18...; M18 DFC; M1418 C6

Mūra andmed: Mõõteväärtused on kindlaks tehtud vastavalt normile EN 62841.

Seadme tüüpiline hinnanguline (müratase):

Helirõhutase / Määramatus K

93,5 dB(A) / 3 dB(A)

Helivõimsuse tase / Määramatus K

104,5 dB(A) / 3 dB(A)

Kandke kaitseks kõrvaklappe.

Vibratsiooni andmed: Vibratsiooni koguväärtus (kolme suuna vektorsumma) mõõdetud EN 62841 järgi.

Vibratsiooni emissiooni väärtus $a_{h,HD}$ / Määramatus K

13,9 m/s² / 1,5 m/s²

Puurimine betoonis ($a_{h,HD}$)

Meiseldamine ($a_{h,Chaq}$)

13,2 m/s² / 1,5m/s²

⚠ TÄHELEPANU!

Sellel teabelehel toodud vibratsiooni- ja müraemissioon on mõõdetud standardis EN 62841 kirjeldatud standarditud testiga ning seda võib kasutada tööriistade omavaheliseks võrdlemiseks. Testi võib kasutada kokkupuute esialgseks hindamiseks.

Seda võib kasutada erinevate elektriseadmete omavahelises võrdlemises. Antud näitaja sobib ka esmaseks võnkekoormuse hindamiseks.

Antud võnketase kehtib elektriseadme kasutamisel sihtotstarbeliselt. Kui elektriseadet kasutatakse muude otstarvetel, muude tööriistadega või seda ei hooldata piisavalt võib võnketase siintoodust erineda. Eeltoodu võib võnketaset märkimisväärselt tõsta terves töökeskkonnas.

Tehke kindlaks täiendavad ohutusmeetmed operaatori kaitsmiseks vibratsiooni ja/või müra eest, näiteks: hooldage tööriista ja tarvikuid, hoidke käed soojas, vaadake üle töökorraldus.

⚠ TÄHELEPANU! Kõik selle elektrilise tööriistaga kaasasolevad ohutusnõuded, juhised, joonised ja spetsifikatsioonid tuleb läbi lugeda.

Kõigi allpool loetletud juhiste eiramise tagajärjeks võib olla elektrilööki, tulekahju ja/või rasked vigastused.

Hoidke kõik ohutusnõuded ja juhised edasiseks kasutamiseks hoolikalt alles.

OHUTUSJUHISED PUURVASAR

Ohutusjuhised kõigile töödele

Kandke kaitseks kõrvaklappe. Müra mõju võib kutsuda esile kuulmise kaotuse.

Kasutage seadmega koos tarnitud lisakäepidemeid. Kontrolli kaotamine võib põhjustada vigastusi.

Tööde puhul, kus löikeseade võib minna vastu peidetud elektrijuhtmeid, hoidke kinni seadme isoleeritud käepidemetest. Kokkupuude pingestatud juhtmega võib pingestada ka löikeseadme metallist osad ning põhjustada elektrilöögi.

Ohutusjuhised pikkade puuridega puurvasarate kasutamise kohta

Alustage alati madalamal pöördekiirusel ja nii, et puuri ots puutub toorikuga kokku. Lubatud suuremal kiirusel pööreldes võib puuri ots painduda, kui see pöörleb toorikuga kokku puutumata, mis omakorda võib põhjustada vigastusi.

Alati vajutage puuri otsale peale otse ja ärge suruge liiga tugevasti. Puuri otsad võivad painduda ja murduda või kaob kontroll

seadme üle, mis omakorda võib põhjustada vigastusi.

EDASISED OHUTUS- JA TÖÖJUHISED

Kandke isiklikku kaitsevarustust. Kandke alati kaitseprille. Sobiva kaitsevarustuse, nt tolmu maskide, libisemisvastaste jalatsite, kaitsekiivri või kuulmekaitseme kandmisel väheneb vigastusohu.

Töö ajal tekkinud tolmu on sageli tervistkahjustav ning ei tohiks sattuda organismi. Kanda sobivat kaitsemaski.

Töödelda ei tohi materjale, millest lähtub oht tervisele (nt asbest).

Palun lülitage seade rakendustööriista blokeerumise korral kohe välja! Ärge lülitage seadet sisse tagasi, kuni rakendustööriist on blokeeritud; seejuures võib kõrge reaktsioonimomendiga tagasilööki tekkida. Tehke ohutusjuhiseid arvesse võttes kindlaks ja kõrvaldage rakendustööriista blokeerumise põhjus.

Selle võimalikeks põhjusteks võivad olla:

- viltu asetumine töödeldavas toorikus
- töödeldava materjali läbimurdumine
- elektritööriista ülekoormamine

Ärge sisestage jäsemeid töötavasse masinasse.

Kasutatav tööriist on teravate servadega ja võib kasutamise ajal muutuda kuumaks.

HOIATUS! Lõike- ja põletusohu – kasutatavate tööriistade käsitemisel – seadme käest ära panemisel.

Kandke kasutatavate tööriistade käsitemise ajal kaitsekindaid.

Puru ega pilpaid ei tohi eemaldada masina töötamise ajal.

Seina, lae või pörandi tööde puhul pidage silmas elektrijuhmeid, gaasi- ja veetorusid.

Kinnitage toorik kinnipingutusseadisega. Kinnitamata toorikud võivad raskeid vigastusi ja kahjustusi põhjustada.

Enne kõiki töid masina kallal võtke vahetatav aku välja.

Ärge visake tarvitatud vahetatavaid akusid tulle ega olmeprügisse. Milwaukee pakub vanade akude keskkonnahoidlikku käitlust; palun küsige oma erialaselt tarnijalt.

Ärge säilitage vahetatavaid akusid koos metallesemetega (lühiseoh).

Laadige süsteemi M18 vahetatavaid akusid ainult süsteemi M18 laadijatega. Ärge laadige nendega teiste süsteemide akusid.

Ärge avage vahetatavaid akusid ega laadijaid ning ladustage neid ainult kuivades ruumides. Kaitske niiskuse eest.

Äärmuslikul koormusel või äärmuslikul temperatuuril võib kahjustatud vahetatavast akust akudevadik välja voolata. Akudevadikuga kokkupuutumise korral peske kohe vee ja seebiga. Silma sattumise korral loputage kiiresti põhjalikult vähemalt 10 minutit ning pöörduge viivitamatult arsti poole.

Hoiatus! Lühisest põhjustatud tuleoht, vigastuste või toote kahjustuste vältimiseks ärge kastke tööriista, vahetusakut ega laadimiseadet vedelikku ning jälgige, et vedelikke ei tungiks seadmesse ega akusse. Korrodeeruvad või elektrit juhtivad vedelikud, nagu soolvesi, teatud kemikaalid ja pleegitusained või pleegitusaineid sisaldavad tooted, võivad põhjustada lühisid.

KASUTAMINE VASTAVALT OTSTARBELE

Akupuurvarasat saab sõltumata võrguühendusest universaalselt rakendada kivimite puurvarasraga töötlemiseks ning puidu, metalli ja plasti puurimiseks.

Antud seadet tohib kasutada ainult vastavalt äranäidatud otstarbele.

JÄÄKOHUD

Jääkohud ei ole välistatud ka otstarbekohase kasutamise korral. Kasutamisel võivad tekkida järgmised ohud, millele kasutaja peab erilist tähelepanu pöörama:

- Vibratsioonist põhjustatud vigastused. Hoidke seadet selleks ette nähtud käepidemetest ja piirake töö- ning toimeaega.
- Mürasaaste võib põhjustada kuulmekahjustusi. Kandke kuulmekaitset ja piirake toimeaega.
- Mustuseosakestest põhjustatud silmavigastused. Kandke alati kaitseprille, vastupidavaid pikki pükse ja tugevaid jalatseid.
- Mürgiste tolmude sissehingamine

LIITIUMIOONAKUDE JUHISED

Liitiumioonakude kasutus

Pikemat aega mittekasutatud akusid laadige veel enne kasutamist.

Temperatuur üle 50 °C vähendab aku töövõimet. Vältige pikemat soojenemist päikese või kütteseadme mõjul.

Hoidke laadija ja aku ühenduskontaktid puhtad.

Optimaalse patarei eluea tagamiseks, pärast kasutamist lae patareiplokk täielikult.

Akud tuleks võimalikult pika kasutuse saavutamiseks pärast täislaadimist laadijast välja võtta.

Aku ladustamisel üle 30 päeva:
Ladustage akut kuivas kohas u 27°C juures.
Ladustage akut u 30-50% laetusseisundis.
Laadige aku iga 6 kuu tagant täis.

Liitiumioonakude ülekoormuskaitse

Aku ülekoormamisel kõrge voolutarbimisega, nt puuri blokeerimisel, äkilisel seiskumisel, lühise tekkimisel või ülikõrgetel pööretel,

vibreerib elektritööriist 5 sekundit, laadimistuli vilgub ja tööriist lülitub automaatselt välja.

Uuesti sisse lülitamiseks tuleb päästik esmalt vabastada ning seejärel uuesti alla suruda. Üli suurel koormusel võib aku kuumeneda kõrgete temperatuurideni. Sellisel juhul vilguvad kõik laadimistulukesed kuni aku jahtumiseni. Peale laadimistulukeste kustumist võite tööd jätkata.

Liitiumioonakude transport

Liitiumioonakud on allutatud ohtlike ainete transportimisega seonduvatele õigusaktidele.

Nende akude transportimine peab toimuma kohalikest, siseriiklikest ja rahvusvahelistest eeskirjadest ning määrustest kinni pidades.

- Tarbijad tohivad neid akusid edasiste piiranguteta tavalisel transportida.
- Liitiumioonakude komertstransport ekspedeerimisettevõtete kaudu on allutatud ohtlike ainete transportimisega seonduvatele õigusaktidele. Tarne-ettevalmistusi ja transporti tohivad teostada eranditult vastavalt koolitatud isikud. Kogu protsessi tuleb asjatundlikult jälgida.

Akude transportimisel tuleb järgida järgmisi punkte:

- Tehke kindlaks, et kontaktid on lühiste vältimiseks kaitstud ja isoleeritud.
- Pöörake tähelepanu sellele, et akupakk ei saaks pakendis nihkuda.
- Kahjustatud või välja voolanud akusid ei tohi kasutada.

Pöörduge edasiste juhiste saamiseks ekspedeerimisettevõtte poole.

TÖÖJUHISED

Puurimisel või löömisel ärge rakendage ülemäärast jõudu. Laske puurvarasal enda eest töötada.

TÖÖTAMINE KÜLMAGA

Kui masinat hoitakse pikema perioodi jooksul madalatel temperatuuridel, võib määre kõvaks muutuda ja võib juhtuda, et masin ei pruugi alguses töötada või on võimsus liiga väike. Kui see juhtub:

- asetage masinasse puur või meisel;
- asetage masin betoonist jääkosale;
- vajutage lüliti iga paari sekundi järel alla ja laske uuesti lahti.

Masina tavapärase löögini läheb 15 sekundit kuni 2 minutit. Mida külmem on masin, seda kauem toimub ülessoojenemine.

PUHASTUS

Hoidke masina õhutuspilud alati puhtad.

HOOLDUS

Läbikulunud süsiharjade puhul tuleks klienditeenindustöökojas lisaks süsiharjade vahetusele teha ka hooldus. See pikendab masina eluiga ja tagab pideva käitamisevalmiduse.

Kasutage ainult Milwaukee tarvikuid ja Milwaukee tagavaraosi. Detailid, mille väljavahetamist pole kirjeldatud, laske välja vahetada Milwaukee klienditeeninduspunktis (vaadake brošüüri garantii / klienditeeninduste aadressid).

Vajadusel saab nõuda seadme plahvatusjoonise võimsussildil oleva masinatüübi ja kuuekohalise numbriga alusel klienditeeninduspunktist või vahetult firmalt Techtronic Industries GmbH, Max-Eyth-Straße 10, 71364 Winnenden, Germany.

SÜMBOLID



Palun lugege enne käikulaskmist kasutusjuhend hoolikalt läbi.



ETTEVAATUST! TÄHELEPANU! OHUD!



Enne kõiki töid masina kallal võtke vahetatav aku välja.



Masinaga töötades kandke alati kaitseprille.



Kandke kaitseks kõrvaklappe!



Kanda sobivat kaitsemaski.



Kanda kaitsekindaid!



Vibratsioonivastane süsteem vähendab masina käepideme vibreerimist.



Tarvikud - ei kuulu tarne komplekti, soovitatav täiendus on saadaval tarvikute programmis.



Ärge kõrvaldage patareide, elektri- ja elektroonikaseadmete jäätmeid sorteerimata olmejäätmetena. Akude, elektri- ja elektroonikaseadmete jäätmed tuleb koguda eraldi. Akude, akumulaatorite ja valgusallikate jäätmed tuleb seadmetest eemaldada. Küsige oma kohalikust omavalitsusest või jaemüüjal nõuandeid ringlussevõtu ja kogumispunkti kohta. Olenevalt kohalikest määrustest võib jaemüüjal lasuda kohustus võtta akude, elektri- ja elektroonikaseadmeid vastu tasuta. Teie panus akude, elektri- ja elektroonikaseadmete jäätmete korduskasutusse ja ringlussevõtu aitab vähendada nõudlust toorainete järele. Akud, eriti liitiumakud ning elektri- ja elektroonikaseadmete jäätmed, sisaldavad väärtuslikke taaskasutatavaid materjale, mis võivad kahjustada keskkonda ja inimeste tervist, kui neid ei kõrvaldata keskkonnasõbralikul viisil. Kustutage kõrvaldatavatest seadmetest isiklikud andmed, kui neid seal on.



Pöörete arv tühikäigul



Pinge



Alalisvool



Euroopa vastavusmärk



Ühendkuningriigi vastavusmargis



Ukraina vastavusmärk



Euraasia vastavusmärk

ТЕХНИЧЕСКИЕ ДАННЫЕ	M18 BLHACD26
Модель	Акк. перфоратор
Серийный номер изделия	4919 77 01 XXXXXX MJJJJ
Вольтаж аккумулятора	18 V \rightarrow
Сила одиночного удара	2,6 J
Число оборотов без нагрузки	0-1270 min ⁻¹
Количество ударов при нагрузке (макс.)	0-4600 min ⁻¹
Диаметр горловины патрона	43 mm
Производительность сверления в бетон	26 mm
Производительность сверления в стали	13 mm
Производительность сверления в дереве	28 mm
Легкое сверление при помощи коронки в кирпиче и известняке	65 mm
Вес согласно процедуре ЕРТА 01/2014 (2,0 Ah ... 12,0 Ah)	2,8 kg ... 3,9 kg
Рекомендованная температура окружающей среды во время работы	-18...+50 °C
Рекомендованные типы аккумуляторных блоков	M18 B...; M18 HB...
Рекомендованные зарядные устройства	M12-18...; M18 DFC; M1418 C6

Информация по шумам: Значения замерялись в соответствии со стандартом EN 62841.

Уровень шума прибора, определенный по показателю A, обычно составляет:

Уровень звукового давления / Небезопасность K

93,5 dB(A) / 3 dB(A)

Уровень звуковой мощности / Небезопасность K

104,5 dB(A) / 3 dB(A)

Используйте наушники!

Информация по вибрации: Общие значения вибрации (векторная сумма трех направлений) определены в соответствии с EN 62841.

Значение вибрационной эмиссии $a_{h, \text{нр}}$ / Небезопасность K

Сверление Бетон ($a_{h, \text{нр}}$)

13,9 m/s² / 1,5 m/s²

Вырубка ($a_{h, \text{чел}}$)

13,2 m/s² / 1,5m/s²

ВНИМАНИЕ!

Заявленные значения вибрации и шумового излучения, указанные в настоящем информационном листе, были измерены согласно стандартизированному методу испытания согласно EN 62841 и могут использоваться для сравнения одного инструмента с другим. Они могут применяться для предварительной оценки воздействия на организм человека.

Указанный уровень вибрации представляет основные виды использования электроинструмента. Но если электроинструмент используется для других целей, используемый инструмент отклоняется от указанного или технического обслуживания было недостаточным, то уровень вибрации может отклоняться от указанного. В этом случае вибрационная нагрузка в течение всего периода работы значительно увеличивается.

Для точной оценки вибрационной нагрузки необходимо также учитывать время, в течение которого прибор отключен или включен, но фактически не используется. В этом случае вибрационная нагрузка в течение всего периода работы может существенно уменьшиться.

Определите дополнительные меры для защиты оператора от воздействия вибрации и/или шума, такие как обслуживание инструмента и его принадлежностей, сохранение рук в тепле, организация графиков работы.

ВНИМАНИЕ! Ознакомьтесь со всеми предупреждениями относительно безопасного использования, инструкциями, иллюстративным материалом и техническими характеристиками, поставляемыми с этим электроинструментом. Несоблюдение всех нижеследующих инструкций может привести к поражению электрическим током, пожару и/или тяжелым травмам. **Сохраняйте эти инструкции и указания для будущего использования.**

УКАЗАНИЯ ПО БЕЗОПАСНОСТИ ДЛЯ ПЕРФОРАТОРА

Инструкция по безопасной эксплуатации для всех видов операций

Используйте наушники! Воздействие шума может привести к потере слуха.

Используйте вспомогательные рукоятки, поставляемые вместе с инструментом. Потеря контроля может стать причиной травмы.

Если Вы выполняете работы, при которых режущий инструмент может зацепить скрытую электропроводку кабель, инструмент следует держать за специально предназначенные для этого изолированные поверхности. Контакт режущего инструмента с токоведущим проводом может

ставить под напряжение металлические части прибора, а также привести к удару электрическим током.

Указания по технике безопасности при использовании перфоратора с длинным буром

Всегда начинайте работу на низкой скорости и когда сверло контактирует с обрабатываемым изделием. На более высоких скоростях сверло может изогнуться, если будет вращаться без контакта с обрабатываемым изделием, что может привести к травме.

Всегда оказывайте давление исключительно вдоль оси сверла и не давите слишком сильно. Сверла могут изгибаться и ломаться или приводить к потере контроля над устройством, что в свою очередь также может привести к травме.

ДОПОЛНИТЕЛЬНЫЕ УКАЗАНИЯ ПО БЕЗОПАСНОСТИ И РАБОТЕ

Используйте средства индивидуальной защиты. Всегда используйте защитные очки. Использование подходящих средств индивидуальной защиты, таких как пыленепроницаемая маска, нескользящая обувь, защитная каска или средства защиты органов слуха, уменьшает риск травмирования.

Пыль, возникающая при работе данным инструментом, может нанести вред здоровью. Не следует допускать её попадания в организм. Надевайте противопылевой респиратор.

Запрещается обрабатывать материалы, которые могут нанести

вред здоровью (напр., асбест).

При блокировании используемого инструмента немедленно выключить прибор! Не включайте прибор до тех пор, пока используемый инструмент заблокирован, в противном случае может возникнуть отдача с высоким реактивным моментом. Определите и устраните причину блокирования используемого инструмента с учетом указаний по безопасности.

Возможными причинами могут быть:

- перекося заготовки, подлежащей обработке
- разрушение материала, подлежащего обработке
- перегрузка электроинструмента

Не прикасаться к работающему станку.

Вставной инструмент имеет острые края и может нагреваться во время применения.

ПРЕДУПРЕЖДЕНИЕ! Опасность порезов и ожогов

- при обращении с вставными инструментами
- при опускании инструмента.

При работе со вставными инструментами надевайте защитные перчатки.

Не убирайте опилки и обломки при включенном инструменте.

При работе в стенах, потолках или полу следите за тем, чтобы не повредить электрические кабели или водопроводные трубы.

Зафиксируйте вашу заготовку с помощью зажимного приспособления. Незафиксированные заготовки могут привести к тяжелым травмам и повреждениям.

Выньте аккумулятор из машины перед проведением с ней каких-либо манипуляций.

Не выбрасывайте использованные аккумуляторы вместе с домашним мусором и не сжигайте их. Дистрибьюторы компании Milwaukee предлагают восстановление старых аккумуляторов, чтобы защитить окружающую среду.

Не храните аккумуляторы вместе с металлическими предметами во избежание короткого замыкания.

Для зарядки аккумуляторов модели M18 используйте только зарядным устройством M18. Не заряжайте аккумуляторы других систем.

Никогда не вскрывайте аккумуляторы или зарядные устройства и храните их только в сухих помещениях. Следите, чтобы они всегда были сухими.

Аккумуляторная батарея может быть повреждена и дать течь под воздействием чрезмерных температур или повышенной нагрузки. В случае контакта с аккумуляторной кислотой немедленно промойте место контакта мылом и водой. В случае попадания кислоты в глаза промойте глаза в течении 10 минут и немедленно обратитесь за медицинской помощью.

Предупреждение! Для предотвращения опасности пожара в результате короткого замыкания, травм и повреждения изделия не опускайте инструмент, сменный аккумулятор или зарядное устройство в жидкости и не допускайте попадания жидкостей внутрь устройств или аккумуляторов. Коррозионные и проводящие жидкости, такие как соленый раствор, определенные химикаты, отбеливающие средства или содержащие их продукты, могут привести к короткому замыканию.

ИСПОЛЬЗОВАНИЕ

Аккумуляторный перфоратор может использоваться для ударного сверления и простого сверления в дереве, металле и пластике.

Не пользуйтесь данным инструментом способом, отличным от указанного для нормального применения.

ОСТАТОЧНЫЕ РИСКИ

Даже при надлежащем использовании нельзя исключить все остаточные риски. При использовании могут возникнуть такие опасности, на которые пользователь должен обратить особое внимание:

- Травмы вследствие вибрации. Держите прибор за предусмотренные для этого рукоятки и ограничивайте время работы и экспозиции.
- Шумовое воздействие может привести к повреждению слуха. Носите защитные наушники и ограничивайте продолжительность экспозиции.
- Травмы глаз, вызванные частицами загрязнений. Всегда надевайте защитные очки, плотные длинные брюки и прочную обувь.
- Вдыхание ядовитой пыли.

УКАЗАНИЯ ДЛЯ ЛИТИЙ-ИОННЫХ АККУМУЛЯТОРОВ

Использование литий-ионных аккумуляторов

Перед использованием аккумулятора, которым не пользовались некоторое время, его необходимо зарядить.

Температура свыше 50°C снижает работоспособность аккумуляторов. Избегайте продолжительного нагрева или прямого солнечного света (риск перегрева).

Контакты зарядного устройства и аккумулятора должны содержаться в чистоте.

Для обеспечения оптимального срока службы аккумулятор необходимо полностью заряжать после использования прибора.

Для достижения максимально возможного срока службы аккумуляторы после зарядки следует вынимать из зарядного устройства.

При хранении аккумулятора более 30 дней: Храните аккумулятор при 27°C в сухом месте. Храните аккумулятор с зарядом примерно 30% - 50%. Каждые 6 месяцев аккумулятор следует заряжать.

Защита литий-ионных аккумуляторов от перегрузки

В случае перегрузки аккумулятора по причине слишком большого потребления электроэнергии, например, при экстремально большом крутящем моменте, заклинивании сверла, внезапной остановке или коротком замыкании, электроприбор вибрирует в течение 5 секунд, загорается индикатор заряда аккумулятора и электроприбор автоматически выключается. Для повторного включения следует отжать кнопку включения и потом снова включить. При слишком высоких нагрузках аккумулятор перегревается. В этом случае загорается все лампы индикатора заряда аккумулятора. Когда аккумулятор остынет и лампы погаснут – можно продолжать работу.

Транспортировка литий-ионных аккумуляторов

Литий-ионные аккумуляторы в соответствии с предписаниями закона транспортируются как опасные грузы.

Транспортировка этих аккумуляторов должна осуществляться с соблюдением местных, национальных и международных предписаний и положений.

- Эти аккумуляторы могут перевозиться по улице потребителем без дальнейших обязательств.
- При коммерческой транспортировке литий-ионных аккумуляторов экспедиторскими компаниями действуют положения, касающиеся транспортировки опасных грузов. Подготовка к отправке и транспортировка должны производиться исключительно специально обученными лицами. Весь процесс должен находиться под контролем специалиста.

При транспортировке аккумуляторов необходимо соблюдать следующие пункты:

- Убедитесь, что контакты защищены и изолированы во избежание короткого замыкания.
- Следите за тем, чтобы аккумуляторный блок не соскользнул внутри упаковки.

- Транспортировка поврежденных или протекающих аккумуляторов запрещена.

За дополнительными указаниями обратитесь к своему экспедитору.

УКАЗАНИЯ ПО РАБОТЕ

При сверлении или использовании молотка не прикладывать чрезмерных усилий. Перфоратор рассчитан на работу без приложения посторонней силы.

РАБОТА В УСЛОВИЯХ ХОЛОДА

Если машина хранилась в течение продолжительного времени или при низкой температуре, смазка может затвердеть, и машина может сначала не работать, или производительность может быть чрезмерно низкой. В этом случае:

1. Вставить в машину сверло или долото.
 2. Поставить машину на кусок бетона.
 3. Нажимать и отпускать кнопку-курок каждые несколько секунд.
- Через промежуток времени от 15 секунд до 2 минут машина сможет работать в обычном режиме. Чем ниже температура машины, тем дольше будет длиться прогревание.

ОЧИСТКА

Всегда держите охлаждающие отверстия чистыми.

ОБСЛУЖИВАНИЕ

При износе угловых щеток, в дополнение к замене щеток инструмент следует проверить в сервисном центре. Это обеспечит долгий срок эксплуатации, а также постоянную готовность инструмента к работе.

Пользуйтесь аксессуарами и запасными частями Milwaukee. В случае возникновения необходимости в замене, которая не была описана, обращайтесь в один из сервисных центров по обслуживанию электроинструментов Milwaukee (см. список сервисных организаций).

При необходимости, у сервисной службы или непосредственно у фирмы Techtronic Industries GmbH, Max-Eyth-Straße 10, 71364, Винненден, Германия, можно запросить сборочный чертеж устройства, сообщив его тип и шестизначный номер, указанный на фирменной табличке.

СИМВОЛЫ

	Пожалуйста, внимательно прочтите инструкцию по использованию перед началом любых операций с инструментом.
	ВНИМАНИЕ! ПРЕДУПРЕЖДЕНИЕ! ОПАСНОСТЬ!
	Выньте аккумулятор из машины перед проведением с ней каких-либо манипуляций.
	При работе с инструментом всегда надевайте защитные очки.
	Пользуйтесь приспособлениями для защиты слуха.
	Надевайте противопылевой респиратор.

	Надевать защитные перчатки!
	Антивибрационная система гасит вибрации аппарата на рукоятке.
	Принадлежности - В стандартную комплектацию не входит, поставляется в качестве дополнительной принадлежности.
	Не выбрасывайте отработавшие батареи, электрическое и электронное оборудование вместе с несортированными бытовыми отходами. Отработавшие батареи, а также электрическое и электронное оборудование должны быть утилизированы отдельно. Отработавшие батареи, аккумуляторы и источники света необходимо предварительно извлечь из оборудования. За дополнительной информацией по утилизации и сбору обратитесь в местные муниципальные органы или в розничный магазин. Нормативные требования в некоторых регионах могут обязывать розничные магазины бесплатно утилизировать отработавшее электрическое и электронное оборудование, а также отработавшие батареи. Повторное использование и переработка отработавших батарей, а также старого электронного и электрического оборудования позволяет снизить потребность в сырьевых ресурсах. Отработавшие батареи содержат среди прочего литий, а электронное и электрическое оборудование — ценные перерабатываемые материалы. Однако при ненадлежащей утилизации данные компоненты могут нанести вред окружающей среде и здоровью человека. Удалите конфиденциальную информацию с оборудования при ее наличии.
	Частота вращения на холостом ходу
	Напряжение
	Постоянный ток
	Европейский знак соответствия
	Британский знак соответствия
	Украинский знак соответствия
	Евразийский знак соответствия

ТЕХНИЧЕСКИ ДАННИ	M18 BLHACD26
Тип	Аккумуляторен перфоратор
Производствен номер	4919 77 01 XXXXX MJJJ
Напряжение на аккумулятора	18 V ---
Энергия на отделен удар	2,6 J
Обороти на празен ход	0-1270 min ⁻¹
Макс. брой на ударите при натоварване	0-4600 min ⁻¹
Диаметър на отвора на патронника	43 mm
Диаметър на свредлото за бетон	26 mm
Диаметър на свредлото за стомана	13 mm
Диаметър на свредлото за дърво	28 mm
Лека боркорона за обикновени и за силикатни тухли	65 mm
Тегло съгласно процедурата EPTA 01/2014 (2,0 Ah ... 12,0 Ah)	2,8 kg ... 3,9 kg
Препоръчителна околна температура при работа	-18...+50 °C
Препоръчителни видове акумулаторни батерии	M18 B...; M18 HB...
Препоръчителни зарядни устройства	M12-18...; M18 DFC; M1418 C6
Информация за шума: Измерените стойности са получени съобразно EN 62841.	
Оцененото с А ниво на шума на уреда е съответно:	
Равнище на звуковото налягане / Несигурност К	93,5 dB(A) / 3 dB(A)
Равнище на мощността на звука / Несигурност К	104,5 dB(A) / 3 dB(A)
Носете средство за защита на слуха.	
Информация за вибрациите: Общите стойности на вибрациите (векторна сума на три посоки) са определени в съответствие с EN 62841.	
Стойност на емисии на вибрациите a _h / Несигурност К	
Пробиване бетон (a _{h,HD})	13,9 m/s ² / 1,5 m/s ²
Дълбаене (a _{h,Chisel})	13,2 m/s ² / 1,5m/s ²

ВНИМАНИЕ!

Посочените в настоящия информационен лист нива на вибрации и шумови емисии са измерени в съответствие със стандартизирано изпитване, предоставено в EN 62841, и могат да се използват за сравняване на един инструмент с друг. Те може също така да се използват и за предварителна оценка на излагането на вредни въздействия.

Посоченото ниво на вибрациите представя основните приложения на електрическия инструмент. Ако обаче електрическият инструмент се използва с друго предназначение, с различни сменяеми инструменти или при недостатъчна техническа поддръжка, нивото на вибрациите може да е различно. Това чувствително може да увеличи вибрационното натоварване по време на целия работен цикъл.

За точната оценка на вибрационното натоварване трябва да се вземат предвид и периодите от време, в които уредът е изключен или работи, но в действителност не се използва. Това чувствително може да намали вибрационното натоварване по време на целия работен цикъл.

Определете допълнителни мерки за безопасност за защита на оператора от въздействието на вибрациите и/или шума, като например поддръжка на инструмента и приспособленията, поддържането на топлината на ръцете и организацията на работата.

ВНИМАНИЕ! Прочетете всички указания за безопасност, инструкции, илюстрации и спецификации за този електроинструмент. Пропуските при спазване на приведените по-долу указания могат да доведат до токов удар, пожар и/или тежки травми.

Запазете тези инструкции и указания за безопасност за бъдещи справки.

ИНСТРУКЦИИ ЗА БЕЗОПАСНОСТ ПЕРФОРАТОР

Инструкции за безопасност при всички дейности

Носете средство за защита на слуха. Въздействието на шума може да предизвика загуба на слуха.

Използвайте доставените с уреда допълнителни ръкохватки. Загубата на контрол може да доведе до наранявания.

Дръжте уреда за изолираните ръкохватки, когато извършвате работи, при които режещият инструмент може да засегне скрити електроинсталационни кабели. Контактът на режещия инструмент с тоководещ проводник може да предаде напрежението върху метални части на уреда и да доведе до токов удар.

Указания за безопасност при употреба на ударния перфоратор с дълги свредла

Винаги стартирайте с ниски обороти и работете с такива, когато пробиващият крайник се намира в контакт с детайла. При по-високи обороти крайникът може да се огъне, когато се върти без контакт с детайла, което може да доведе до наранявания.

Винаги прилагайте натиск само в директна посока към пробиващия крайник и не натискайте прекалено силно. Пробиващите крайници могат да се огънат и да се счупят, или да причинят загуба на контрол над уреда, поради което да се стигне до наранявания.

ДОПЪЛНИТЕЛНИ УКАЗАНИЯ ЗА РАБОТА И БЕЗОПАСНОСТ

Носете лична предпазна екипировка. Винаги носете предпазни очила. Носенето на съответната предпазна екипировка като прахозащитна маска, непълзгащи се обувки, предпазен шлем или защита за слуха намалява опасността от нараняване.

Прахът, който се образува при работа, често е вреден за здравето и не бива да попада в тялото. Да се носи подходяща прахозащитна маска.

Не е разрешена обработката на материали, които представляват опасност за здравето (напр. азбест).

Ако използваният инструмент блокира, изключете веднага уреда! Не включвайте уреда отново, докато използваният инструмент е блокиран; това би могло да доведе до откат с висока реактивна сила. Открийте и отстранете причината за блокирането на използвания инструмент имайки в предвид инструкциите за безопасност.

Възможните причини за това могат да бъдат:

- Заклинване в обработваната част
- Пробиване на материала
- Пренатоварване на електрическия инструмент

Не бъркайте в машината, докато тя работи.

Приставката е остра и може да се нагорещи по време на работа.

ПРЕДУПРЕЖДЕНИЕ! Опасност от порязване и изгаряне – при боравене с приставките
– при оставяне на уреда..

При боравенето с приставките носете предпазни ръкавици.

Стружки или отчупени парчета да не се отстраняват, докато машина работи.

При работа в стени, тавани или подове внимавайте за кабели, газопроводи и водопроводи.

Закрепете обработваната част с устройство за захващане. Незакрепени части за обработка могат да причинят сериозни наранявания и материални щети.

Преди започване на каквито е да е работи по машината извадете акумулатора.

Не изхвърляйте изхабените акумулатори в огъня или в при битовите отпадъци. Milwaukee предлага екологосъобразно събиране на старите акумулатори; моля попитайте Вашия специализиран търговец.

Не съхранявайте акумулаторите заедно с метални предмети (опасност от късо съединение).

Акумулатори от системата M18 да се зареждат само със зарядни устройства от системата M18 laden. Да не се зареждат акумулатори от други системи.

Не отваряйте акумулатори и зарядни устройства и ги съхранявайте само в сухи помещения. Пазете ги от влага.

При екстремно натоварване или екстремна температура от повредени акумулатори може да изтече батерийна течност. При допир с такава течност веднага измийте с вода и сапун. При контакт с очите веднага изплаквайте старателно най-малко 10 минути и незабавно потърсете лекар.

Предупреждение! За да избегнете опасността от пожар, предизвикана от късо съединение, както и нараняванията и повредите на продукта, не потапяйте инструмента, сменяемата акумулаторна батерия или зарядното устройство в течности и се погрижете в уредите и акумулаторните батерии да не попадат течности. Течностите, предизвикващи корозия или провеждащи електричество, като солена вода, определени химикали, изелващи вещества или продукти, съдържащи изелващи вещества, могат да предизвикат късо съединение.

ИЗПОЛЗВАНЕ ПО ПРЕДНАЗНАЧЕНИЕ

Акумулаторният перфоратор може да се използва универсално за перфориране в камък и за пробиване в дърво, метал и пластмаса, като не зависи от захранване от мрежата.

Този уред може да се използва по предназначение само както е посочено.

ОСТАТЪЧНИ РИСКОВЕ

Дори при правилна употреба, остатъчните рискове не могат да бъдат изключени. При използване могат да възникнат следните опасности, за които обслужващият трябва да внимава:

- Наранявания, причинени от вибрации.
- Дръжте уреда за предвидените за целта ръкохватки и ограничавайте времето на работа и експозиция.
- Шумовото натоварване може да причини слухови увреждания. Носете защита за слуха и ограничете продължителността на

експозицията.

- Наранявания на очите, причинени от замърсяващи частици. Винаги носете предпазни очила, здрави дълги панталони и стабилни обувки.
- Вдишване на отровни прахове.

УКАЗАНИЯ ЗА ЛИТИЕВО-ЙОННИ АКУМУЛАТОРНИ БАТЕРИИ

Употреба на литиево-йонни акумулаторни батерии

Акумулатори, които не са ползвани по-дълго време, преди употреба да се дозаредят.

Температура над 50°C намалява мощността на акумулатора. Да се избягва по-продължително нагряване на слънце или от отопление.

Поддържайте чисти присъединителните контакти на зарядното устройство и на акумулаторната батерия.

За оптимална продължителност на живот след употреба батериите трябва да се заредят напълно.

За възможна най-дълъг експлоатационен живот, акумулаторните батерии трябва след зареждане да се отстранят от зарядното устройство.

При съхранение на батериите за повече от 30 дни: съхранявайте батерията при припл. 27°C и на сухо място. Съхранявайте батерията при 30 до 50 % от заряда. Зареждайте батерията на всеки 6 месеца.

Защита от претоварване при литиево-йонни акумулаторни батерии

При претоварване на батерията вследствие на голямо потребление на енергия, например изключително високи въртящи моменти, блокиране на бургията (свредлото), внезапно спиране или късо съединение, електрическият инструмент вибрира в продължение на 5 секунди, мига индикаторът за зареждане и електрическият инструмент се изключва сам.

За да го включите повторно, освободете превключвателя и след това включете уреда.

При екстремни натоварвания батерията се нагрява значително. В този случай всички светлини на индикатора за зареждане мигат дотогава, докато батерията се охлади. След изгасване на индикатора за зареждане можете да продължите работата с уреда.

Транспортиране на литиево-йонни акумулаторни батерии

Литиево-йонните батерии са предмет на законовите разпоредби за превоз на опасни товари.

Превозът на тези батерии трябва да се извършва в съответствие с местните, националните и международните разпоредби и регламенти.

- Потребителите могат да превозват тези батерии по пътя без допълнителни изисквания.
- Превозът на литиево-йонни батерии от транспортни компании е предмет на законовите разпоредби за превоз на опасни товари. Подготовката на превоза и самият превоз трябва да се извършват само от обучени лица. Целият процес трябва да е под професионален надзор.

Спазвайте следните изисквания при превоз на батерии:

- Уверете се, че контактите са защитени и изолирани, за да се избегне късо съединение.
- Уверете се, че няма опасност от разместване на батерията в опаковката.
- Не превозвайте повредени батерии или такива с течове.

Обърнете се към Вашата транспортна компания за допълнителни инструкции.

УКАЗАНИЯ ЗА РАБОТА

При пробиване или разбиване не прилагайте прекалено усилие. Оставете перфоратора да работи вместо Вас.

РАБОТА ПРИ СТУД

Когато машината се съхранява за по-продължителен период или при ниски температури, смазката може да се втвърди и е възможно в началото машината да не работи или ефективността ѝ да е прекалено ниска. Ако това се случи:

1. Поставете свредло или длето в машината.
2. Поставете машината върху излишно парче бетон.
3. Задействайте превключвателя през няколко секунди и отново го отпускате.

След 15 секунди до 2 минути машината започва да разбива нормално. Колкото по-студена е машината, толкова по-дълго трае загреването.

ПОЧИСТВАНЕ

Вентилационните шлицы на машината да се поддържат винаги чисти.

ПОДДРЪЖКА

Ако въгленовите четки са износени, те трябва да се сменят и допълнително е необходим преглед в сервиз. Това ще удължи експлоатационния срок на машината и гарантира постоянна експлоатационна готовност.

Да се използват само аксесоари на Milwaukee и резервни части на Milwaukee. Елементи, чията подмяна не е описана, да се дадат за подмяна в сервиз на Milwaukee (вижте брошурата „Гаранция и адреси на сервиси“).

При необходимост можете да поискате схема на елементите на уреда при посочване на обозначение на машината и шестцифрения номер на табелката за технически данни от Вашия сервиз или директно на Technonic Industries GmbH, Max-Eyth-Straße 10, 71364 Winnenden, Германия.

СИМВОЛИ



Преди пускане на уреда в действие моля прочетете внимателно инструкцията за използване.



ВНИМАНИЕ! ПРЕДУПРЕЖДЕНИЕ! ОПАСНОСТ



Преди започване на каквито е да е работи по машината извадете акумулатора.



При работа с машината винаги носете предпазни очила.



Да се носи предпазно средство за слуха!



Да се носи подходяща прахозащитна маска.



Да се носят предпазни ръкавици!



Противовибрационната система намалява машинните вибрации над ръкохватката.



Аксесоари - Не се съдържат в обема на доставката, препоръчвано допълнение от програмата за аксесоари.



Отпадъците от батерии, отпадъците от електрическо и електронно оборудване не трябва да се изхвърлят заедно с битовите отпадъци. Отпадъците от батерии, отпадъците от електрическо и електронно оборудване трябва да се събират и изхвърлят разделно. Преди изхвърлянето отстранявайте от уредите отпадъците от батерии, отпадъците от акумулатори и лампите. Информирайте се от местните служби или от своя специализиран търговец относно фирмите за рециклиране и местата за събиране на отпадъци.

В зависимост от местните разпоредби, търговецът на дребно могат да задължени да приемат безплатно върнатите обратно отпадъци от батерии и от електрическо и електронно оборудване.

Дайте своя принос за намаляването на нуждите от суровини чрез повторната употреба и рециклирането на Вашите отпадъци от батерии и отпадъци от електрическо и електронно оборудване.

Отпадъците от батерии (най-вече литиево-йонните батерии) и отпадъците от електрическо и електронно оборудване съдържат ценни рециклиращи се материали, които могат да повлияят отрицателно на околната среда и на Вашето здраве, ако не се изхвърлят по екологосъобразен начин.

Преди изхвърлянето като отпадък изтрийте от Вашия употребяван уред евентуално наличните в него лични данни.



Обороти на празен ход



Напрежение



Постоянен ток



Британски знак за съответствие



Украински знак за съответствие



Евро-азиатски знак за съответствие

DATE TEHNICE	M18 BLHACD26
Tip	Ciocan rotopercurtor cu acumulator
Număr producție	4919 77 01 XXXXXX MJJJJ
Tensiune acumulator	18 V ---
Putere impact singular	2,6 J
Viteza de mers în gol	0-1270 min ⁻¹
Rata de percuție sub sarcină	0-4600 min ⁻¹
Diametru gât mandrină	43 mm
Capacitate de perforare în beton	26 mm
Capacitate de găurire în oțel	13 mm
Capacitate de găurire în lemn	28 mm
Cuțit cu miez ușor în cărămizi și calcar	65 mm
Greutatea conform „EPTA procedure 01/2014” (2,0 Ah ... 12,0 Ah)	2,8 kg ... 3,9 kg
Temperatura ambiantă recomandată la efectuarea lucrărilor	-18...+50 °C
Accumulatori recomandați	M18 B...; M18 HB...
Încărcătoare recomandate	M12-18...; M18 DFC; M1418 C6

Informații privind zgomotul: Valori măsurate determinate conform EN 62841.

Nivelul de zgomot evaluat cu A al aparatului este tipic de:

Nivelul presiunii sonore / Nesiguranță K

93,5 dB(A) / 3 dB(A)

Nivelul sunetului / Nesiguranță K

104,5 dB(A) / 3 dB(A)

Purtați aparatoarele de urechi.

Informații privind vibrațiile: Valorile totale de oscilație (suma vectorială pe trei direcții) determinate conform normei EN 62841.

Valoarea emisie de oscilații a_n / Nesiguranță K

Găurire în beton (a_{n,HD})

13,9 m/s² / 1,5 m/s²

Dăltuire (a_{n,Cheg})

13,2 m/s² / 1,5 m/s²

AVERTISMENT!

Nivelul vibrației și emisie de zgomot indicat în această fișă informativă a fost măsurat în conformitate cu o metodă standard de testare specificată în EN 62841 și se poate utiliza pentru a compara dispozitivele între ele. Acesta se poate utiliza și într-o evaluare preliminară a expunerii.

Gradul de oscilație indicat reprezintă aplicațiile principale ale uneltelor electrice. În cazul în care însă uneltele electrice au fost folosite pentru alte aplicații, ori au fost folosite unelte de muncă diferite ori acestea nu au fost supuse unei suficiente inspecții de întreținere, gradul de oscilație poate fi diferit.

Acest fapt poate duce la o creștere netă a solicitărilor la oscilații dealungul întregii perioade de lucru.

Identificați măsuri de siguranță suplimentare pentru a proteja operatorul de efectele vibrațiilor și/sau zgomotului, cum ar fi: întreținerea dispozitivului și a accesoriilor, menținerea caldă a mâinilor, organizarea modelelor de lucru.

AVERTISMENT A se citi toate avertismentele, instrucțiunile, ilustrațiile și specificațiile privind siguranța furnizate cu această unealtă electrică. Nerespectarea tuturor instrucțiunilor listate mai jos poate cauza șocuri electrice, incendii și/sau vătămări corporale grave.
Păstrați toate indicațiile de avertizare și instrucțiunile în vederele utilizărilor viitoare.

INSTRUCȚIUNI DE SIGURANȚA PENTRU CIOCAN ROTOPERCUTOR

Instrucțiuni de siguranță pentru toate operațiile

Purtați aparatoarele de urechi. Expunerea la zgomot poate produce pierderea auzului.

Utilizați manerale auxiliare livrate cu scula. Pierderea controlului poate provoca rănirea persoanelor.

Țineți aparatul de mână izolat când executați lucrări la care scula tăietoare poate nimeri peste conductorii electrici ascunși. Intrarea în contact a sculei tăietoare cu o linie electrică prin care circula curent poate pune sub tensiune și componente metalice ale aparatului și să ducă la electrocutare.

Indicații de siguranță pentru utilizarea ciocanului perforator cu burghie lungi

Începeți întotdeauna cu o turație mică și în timp ce burghiul se află în contact cu piesa. La turații mai mari, burghiul se poate îndoi când se rotește fără contact cu piesa, ceea ce poate duce la accidentări.

Exercitați întotdeauna presiune numai direct pe burghiu și nu apăsați prea tare. Burghiile se pot îndoi și se pot rupe sau pot conduce la pierderea controlului asupra aparatului, ceea ce poate antrena accidentări.

INSTRUCȚIUNI SUPLIMENTARE DE SIGURANȚĂ ȘI DE LUCRU

Purtați echipament individual de protecție. Purtați întotdeauna ochelari de protecție. Purtarea echipamentului de protecție adecvat, cum este, de exemplu, mască de protecție antipraf, încălțăminte antiderapantă, cască de protecție sau căști antifonice, reduce riscul de accidentare.

Praful care apare când se lucrează cu această sculă poate fi dăunător sănătății și prin urmare nu trebuie să atingă corpul. Purtați o mască de protecție corespunzătoare împotriva prafului.

Nu se admite prelucrarea unui material care poate pune în pericol sănătatea operatorului (de exemplu azbestul).

La blocarea sculei demontabile vă rugăm să deconectați imediat aparatul! Nu conectați aparatul atâta timp cât scula demontabilă

este blocată; dacă o faceți, s-ar putea să se producă un recul cu un cuplu mare de reacție. Găsiți și remediați cauza de blocare a sculei demontabile respectând indicațiile pentru siguranță.

Cauzele posibile pot fi:

- Agățarea în piesa de prelucrat
- Străpungerea materialului de prelucrat
- Suprasolicitarea sculei electrice

Nu atingeți părțile mașinii aflate în rotație.

Unealta inserată este foarte ascuțită și se poate încălzi în timpul utilizării.

AVERTIZARE! Pericol de tăieturi și arsuri

- la manevrarea uneltelor inserate
- la poziționarea dispozitivului.

La manevrarea uneltelor inserate purtați mănuși de protecție.

Rumeguşul și spanul nu trebuie îndepărtate în timpul funcționării mașinii.

Când se lucrează pe pereți, tavan sau dușumea, aveți grijă să evitați cablurile electrice și țevile de gaz sau de apă.

Asigurați piesa de prelucrat cu un dispozitiv de fixare. Piese neasigurate pot provoca accidentări grave și stricăciuni.

Îndepărtați acumulatorul înainte de începerea lucrului pe mașina

Nu aruncați acumulatorii uzați la containerul de reziduri menajere și nu îi ardeți. Milwaukee Distributors se oferă să recupereze acumulatorii vechi pentru protecția mediului înconjurător.

Nu depozitați acumulatorul împreună cu obiecte metalice (risc de scurtcircuit)

Folosiți numai încărcătoare System M18 pentru încărcarea acumulatorilor System M18. Nu folosiți acumulatorii din alte sisteme.

Nu deschideți niciodată acumulatorii și încărcătoarele și pastrați-le numai în încăperi uscate. Pastrați-le întotdeauna uscate.

Acidul se poate scurge din acumulatorii deteriorați la încălziri sau temperaturi extreme. În caz de contact cu acidul din acumulator, spălați imediat cu apă și săpun. În caz de contact cu ochii, clătiți cu atenție timp de cel puțin 10 minute și apelați imediat la îngrijire medicală.

Avertisment! Pentru a reduce pericolul unui incendiu și evitarea rănilor sau deteriorarea produsului în urma unui scurtcircuit nu imersați scula, acumulatorul de schimb sau încărcătorul în lichide și asigurați-vă să nu pătrundă lichide în aparate și acumulatori. Lichidele corosive sau cu conductibilitate, precum apa sărată, anumite substanțe chimice și înalbitori sau produse ce conțin înalbitori, pot provoca un scurtcircuit.

CONDIȚII DE UTILIZARE SPECIFICATE

Ciocanul rotopercurtor cu acumulator poate fi folosit la perforări și găuriri în lemn, metal și plastic, pentru utilizare independentă de departe de surse de alimentare.

Nu utilizați acest produs în alt mod decât cel stabilit pentru utilizare normală

RISCURI REZIDUALE

Excluderea tuturor pericolelor reziduale nu este posibilă chiar și în condiții de utilizare corectă a mașinii. În timpul utilizării pot apărea următoarele pericole, de care utilizatorul ar trebui să țină seama:

- Accidentări provocate de vibrații.
- Țineți aparatul de mână prevăzute în acest scop și reduceți timpul de lucru și de expunere.
- Poluarea fonică poate duce la vătămarea auzului. Purtați căști antifonice și reduceți durata expunerii.
- Afecțiuni oculare cauzate de particulele de impurități. Purtați întotdeauna ochelari de protecție, pantaloni lungi rezistenți și încălțăminte solidă.
- Inhalare de pulberi toxice.

INDICAȚII PENTRU ACUMULATORII LI-ION

Utilizarea acumulatorilor Li-Ion

Acumulatorii care nu au fost utilizați o perioadă de timp trebuie reîncărcați înainte de utilizare

Temperatura mai mare de 50°C reduce performanța acumulatorului. Evitați expunerea prelungită la căldură sau radiație solară (risc de supraîncălzire)

Contactele încărcătoarelor și acumulatorului trebuie păstrate curate.

În scopul optimizării duratei de funcționare, bateriile trebuie reîncărcate complet după utilizare.

Pentru o durată de viață cât mai lungă, acumulatorii ar trebui scoși din încărcător după încărcare.

La depozitarea acumulatorilor mai mult de 30 zile:

Acumulatorii se depozitează la cca. 27°C și la loc uscat.

Acumulatorii se depozitează la nivelul de încărcare de cca. 30%-50%.

Acumulatorii se încarcă din nou la fiecare 6 luni.

Protecție la suprasarcină la acumulatorii Li-Ion

În cazul unei suprasolicitări a acumulatorului datorită unui consum excesiv de curent electric, de ex. datorită unor momente de turație extrem de înalte, a prinderii burghiului, a unei opriri subite sau a unui scurt circuit, scula electrică trepidează timp de 5 secunde, indicația stării de încărcare pâlpâie și scula electrică se deconectează de la sine.

Pentru reconectare dați drumul întrerupătorului și conectați din nou. În cazul unor sarcini extreme, acumulatorul se încinge prea tare. În acest caz toate lămpile indicației stării de încărcare pâlpâie până când acumulatorul s-a răcit. După ce indicația stării de încărcare s-a stins se poate lucra mai departe.

Transportul acumulatorilor Li-Ion

Acumulatorii cu ioni de litiu cad sub incidența prescripțiilor legale pentru transportul de mărfuri periculoase.

Transportul acestor acumulatori trebuie să se efectueze cu respectarea prescripțiilor și reglementărilor pe plan local, național și internațional.

- Consumatorilor le este permis transportul rutier nerestricționat al acestui tip de acumulatori.
- Transportul comercial al acumulatorilor cu ioni de litiu prin intermediul firmelor de expediție și transport este supus reglementărilor transportului de mărfuri periculoase. Pregătirile pentru expediție și transportul au voie să fie efectuate numai de către personal instruit corespunzător. Întregul proces trebuie asistat în mod competent.

Următoarele puncte trebuie avute în vedere la transportul acumulatorilor:

- Pentru a se evita scurtcircuitele, asigurați-vă de faptul că sunt protejate și izolate contactele.
- Aveți grijă ca pachetul de acumulatori să nu poată aluneca în altă poziție în interiorul ambalajului său.
- Este interzis transportarea unor acumulatori deteriorați sau care pierd lichid.

Pentru indicații suplimentare adresați-vă firmei de expediție și transport cu care colaborați.

INDICAȚII DE LUCRU

Nu utilizați o forță excesivă la perforare sau lovire. Lăsați ciocanul perforator să lucreze singur.

ЛУЧРАРИ LA TEMPERATURI СКАЗУТЕ

Дacă mașina se depozitează o perioadă mai lungă sau la temperaturi scăzute, agentul de lubrifiere poate deveni vâscos și se poate întâmpla ca mașina să nu lucreze la început sau ca puterea să fie prea mică. Dacă se întâmplă acest lucru:

1. Introduceți un burghiu sau o dală în mașină.
2. Așezați mașina pe o bucată de beton.
3. Acționați întrerupătorul la fiecare două secunde și eliberați-l la loc.

După 15 secunde până la 2 minute, mașina începe să lucreze normal. Cu cât este mai rece mașina, cu atât încălzirea durează mai mult.

CURĂȚARE

Fantele de aerisire ale mașinii trebuie să fie menținute libere tot timpul

INTREȚINERE

Nota importantă: dacă perile de carbon sunt uzate, în plus față de schimbarea perilor scula trebuie trimisă la service-ul post vânzare. Aceasta va asigura o viață lungă de lucru și performanțe de vârf.

Utilizați numai accesoriile și piesele de schimb Milwaukee. Dacă unele din componente care nu au fost descrise trebuie înlocuite, vă rugăm contactați unul din agenții de service Milwaukee (vezi lista noastră pentru service / garanți

Dacă este necesar, puteți solicita de la centrul dvs. de service pentru clienți sau direct la Techtronic Industries GmbH, Max-Eyth-Straße 10, 71364 Winnenden, Germania un desen descompus al aparatului prin indicarea tipului de aparat și a numărului cu șase cifre de pe tăblița indicatoare.

SIMBOLURI

	Vă rugăm citiți cu atenție instrucțiunile înainte de pornirea mașinii
	PERICOLI AVERTIZARE! ATENȚIE!
	Îndepărtați acumulatorul înainte de începerea lucrului pe mașina
	Purtați întotdeauna ochelari de protecție când utilizați mașina.
	Purtați căști de protecție
	Purtați o mască de protecție corespunzătoare împotriva prafului.
	Purtați mănuși de protecție!
	Sistemul antivibrații reduce vibrațiile dispozitivului la nivelul mânerului.
	Accesorii - Nu este inclus în echipamentul standard, disponibil ca accesoriu



Deșeurile de baterii, deșeurile de echipamente electrice și electronice nu se elimină ca deșeurile municipale nesortate. Deșeurile de baterii și deșeurile de echipamente electrice și electronice trebuie colectate separat. Deșeurile de baterii, deșeurile de acumulatori și materialele de iluminat trebuie îndepărtate din echipament. Informații-vă de la autoritățile locale sau de la comercianții acreditați în legătură cu centrele de reciclare și de colectare. În conformitate cu reglementările locale retailerii pot fi obligați să colecteze gratuit bateriile uzate și deșeurile de echipamente electrice și electronice. Contribuția dumneavoastră la reutilizarea și reciclarea deșeurilor de baterii și a deșeurilor de echipamente electrice și electronice contribuie la reducerea cererii de materii prime. Deșeurile de baterii și deșeurile de echipamente electrice și electronice conțin materiale reciclabile valoroase, care pot avea un impact negativ asupra mediului și sănătății umane, în cazul în care nu sunt eliminate în mod ecologic. În cazul în care pe echipamente au fost înregistrate date cu caracter personal, acestea trebuie șterse înainte de eliminarea echipamentelor ca deșeurii.



Turație de mers în gol



Tensiune



Curent continuu



Marcă de conformitate europeană



Marcaj de conformitate Regatul Unic



Marcă de conformitate ucraineană



Marcă de conformitate eurasiatică

ТЕХНИЧКИ ПОДАТОЦИ

M18 BLHACD26	
Тип на дизајн	Бормашина-чекан на батерии
Производен број	4919 77 01 XXXXX MJJJJ
Волтажа на батеријата	18 V ---
Единствена ударна сила	2,6 J
Брзина без оптоварување	0-1270 min ⁻¹
Јачина на удар под оптоварување	0-4600 min ⁻¹
Дијаметар на вратот на врв	43 mm
Капацитет на дупчење во бетон	26 mm
Капацитет на дупчење во челик	13 mm
Капацитет на дупчење во дрво	28 mm
Лесен јазолан сечач на тули и варовни карпи	65 mm
Тежина според ЕПТА-процедурата 01/2014 (2,0 Ah ... 12,0 Ah)	2,8 kg ... 3,9 kg
Препорачана температура на околината при работа	-18...+50 °C
Препорачани типови на акумулаторски батерии	M18 B...; M18 HB...
Препорачани полначи	M12-18...; M18 DFC; M1418 C6

Информации за бучава: Измерените вредности се одредени согласно стандардот EN 62841.

A-оценетото ниво на бучава на апаратот типично изнесува:

Ниво на звучен притисок / Несигурност K

93,5 dB(A) / 3 dB(A)

Ниво на јачина на звук / Несигурност K

104,5 dB(A) / 3 dB(A)

Носете штитник за уши.

Информации за вибрации: Вкупни вибрациски вредности (векторски збир на трите насоки) пресметани согласно EN 62841.

Вибрациска емисиона вредност a_v / Несигурност K

13,9 m/s² / 1,5 m/s²

Бушење во бетон со ударна дупчалка (a_{h,HD})

Длетување (a_{h,Chisel})

13,2 m/s² / 1,5m/s²

⚠ ПРЕДУПРЕДУВАЊЕ!

Нивото на вибрации и емисија на бучава дадени во овој информативен лист се измерени во согласност со стандардизиран метод на тестирање даден во EN 62841 и може да се користат за споредување на еден електричен алат со друг. Тие исто така може да се користат при првична проценка на изложеност.

Наведеното ниво на осцилација ги репрезентира главните намени на електро-алатот. Но, доколку електро-алатот се употребува за други намени, со отстапувачки додатоци или со несоодветно одржување, нивото на осцилација може да отстапи. Тоа може значително да го зголеми оптоварувањето на осцилацијата за време на целиот работен период.

За прецизна проценка на оптоварувањето на осцилацијата предвид треба да бидат земени и времињата, во коишто апаратот е исклучен или работи, но фактички не се употребува. Тоа може значително да го намали оптоварувањето на осцилацијата за време на целиот работен период

Утврдете дополнителни безбедносни мерки за да се заштити операторот од ефектите на вибрациите и/или бучавата како на пр.: одржувајте го алатот и приборот, рацете нека ви бидат топли, организација на работните шеми.

⚠ ПРЕДУПРЕДУВАЊЕ! Прочитајте ги сите безбедносни упатства, инструкции, илустрации и спецификации за овој електричен алат. Недоследно почитување на подолу наведените упатства може да предизвика електричен удар, пожар и/или сериозни повреди. **Чувајте ги сите предупредувања и упатства за употреба.**

БЕЗБЕДНОСНИ УПАТСТВА ЗА РОТИРАЧКИ ЧЕКАН

Безбедносни упатства за сите операции

Носете штитник за уши. Изложеноста на бука може да предизвика губење на слухот.

Користете помошни рачки кои доаѓаат заедно со алатот. Губењето контрола може да предизвика повреда.

Држете го електричниот алат за издадените површини при изведување на операции при кои алатот за сечење можат да дојдат во контакт со скриени жици.

Контакт со жица под напон исто така ќе направи проводници од металните делови и оној кој ракува со алатот ќе доживее струен удар.

Безбедносни упатства за користење на ударна дупчалка со долги бургии

Секогаш започнувајте со мала брзина и додека вежбата е во контакт со работното парче. При поголема брзина, вежбата може да се искрива кога се ротира без контакт со работното парче, што може да резултира со лична повреда.

Секогаш применувајте го притисокот во директна насока со вежбата за бушење и не притискајте премногу напорно. Вежбите за бушење можат да се искриват и да се скршат или да резултираат со губење на контролата над алатката, што може да доведе до лична повреда.

ОСТАНАТИ БЕЗБЕДНОСНИ И РАБОТНИ УПАТСТВА

Носете лична заштитна опрема. Секогаш носете заштитни очила. Носењето соодветна заштитна опрема, како што се заштитна маска за прав, чевли што не се лизгаат, заштитен шлем или заштита за слух, го намалува ризикот од повреда.

Пршината која се создава при користење на овој алат може да биде штетна по здравјето. Не ја вдишувајте. Носете соодветна заштитна маска.

Не смеат да бидат обработувани материјали кои што можат да го загрозат здравјето (на пр. азбест).

Доколку употребуваното орудие се блокира, молиме веднаш

да се исклучи апаратот! Не го вклучувајте апаратот повторно додека употребуваното орудие е блокирано; притоа би можело да дојде до повратен удар со висок момент на реакција. Испитајте и отстранете ја причината за блокирањето на употребеното орудие имајќи ги во предвид напомените за безбедност.

Можни причини би можеле да се:

- Закантување во парчето кое што се обработува
- Кршење поради продирање на материјалот кој што се обработува
- Преоптоварување на електричното орудие

Не фаќајте во машината кога работи.

Алатката има остри рабови и може да се загрее за време на работата.

ПРЕДУПРЕДУВАЊЕ! Опасност од исеченици и изгореници – при ракување со алатката – при спуштање на уредот.

Носете заштитни ракавици кога ракувате со алатката.

Прашината и струготините не смеат да се одстрануваат додека е машината работи.

Кога работите на сидови, таван или под внимавајте да ги избегнете електричните, гасните и водоводни инсталации.

Обезбедете го предметот кој што го обработувате со направа за напон. Необезбедени парчиња кои што се обработуваат можат да предизвикаат тешки повреди и оштетувања.

Извадете го батерискиот склоп пред отпочнување на каков и да е зафат врз машината.

Не ги оставајте искористените батерии во домашниот отпад и не горете ги. Дистрибутерите на Milwaukee ги собираат старите батерии, со што ја штитат нашата околина.

Не ги чувајте батериите заедно со метални предмети (ризик од краток спој).

Користете исклучиво Систем M18 за полнење на батерии од M18 систем. Не користете батерии од друг систем.

Не ги отворајте насилно батериите и полначите, и чувајте ги само на суво место. Чувајте ги постојано суви.

Киселината од оштетените батериите може да истече при екстрем напон или температури. Доколку дојдете во контакт со исатата, измијте се веднаш со сапун и вода. Во случај на контакт со очите плакнете ги убаво најмалку 10 минути и задолжително одете на лекар.

Предупреудање! За да избегнете опасноста од пожар, од наранувања или од оштетување на производот, коишто ги создава краток спој, не ја потопувајте во течност алатката, заменливата батерија или полначот и пазете во уредите и во батериите да не проникнуваат течности. Корозивни или електропроводливи течности, како солена вода, одредени хемикалии, избелувачки препарати или производи кои содржат избелувачки супстанции, можат да предизвикаат краток спој.

СПЕЦИФИЦИРАНИ УСЛОВИ НА УПОТРЕБА

Вртливиот пневматски чекан може да биде употребен за дупчење и дупчење во дрво, метал како и пластика при независна употреба далеку од главното напојување.

Не го користете овој производ на било кој друг начин освен пропишаниот за нормална употреба.

ПРЕОСТАНАТИ РИЗИЦИ

Дури и при уредна употреба на машината, не може да се исклучат сите преостанати ризици. При употребата може да настанат следните опасности, на кои операторот треба особено да внимава:

- Повреди предизвикани како последица на вибрации. Држете ја алатката за рацките предвидени за тоа и ограничете го времето на работа и експозиција.
- Изложеноста на бучава може да доведе до оштетување на слухот. Носете заштита за ушите и ограничете го траењето на експозицијата.

- Честичките нечистотија може да предизвикаат повреди на очите.
- Секогаш носете заштитни очила, долги панталони и цврсти чевли.
- Вдишување токсични прашина.

УПАТСТВА ЗА ЛИТИУМ-ЈОНСКИ БАТЕРИИ

Употреба на литиум-јонски батерии

Батериите кои не биле користени подолго време треба да се наполнат пред употреба.

Температура повисока од 50°C го намалуваат траењето на батериите. Избегнувајте подолго изложување на батериите на високи температури или сонце (ризик од прегревање).

Клемите на полначот и батериите мора да се одржуваат чисти.

За оптимален работен век батериите мора да се наполнат целосно во употреба.

За што е можно подолг век на траење, апаратите после нивното полнење треба да бидат извадени од полначот за батерии.

Во случај на складирање на батеријата подолго од 30 дена: Акумулаторот да се чува на температура од приближно 27°C и на суво место.

Акумулаторот да се складира на приближно 30%-50% од состојбата на наполнетост.

Акумулаторот повторно да се наполни на секои 6 месеци.

Заштита од преоптоварување на батеријата за литиум-јонски батерии

При преоптеретување на батеријата како резултат на мошне висока потрошувачка на струја, на пример екстремно високи вртежни моменти, заглавување на бургијата, ненадејно стопирање или краток спој, електро-алатот избира 5 секунди, приказот за полнење трепка и електро-алатот самостојно се исклучува.

За повторно вклучување ослободете го притискачот на прекинувачот, а потоа повторно вклучете. Во случај на екстремни оптоварувања батеријата се загрева премногу. Во таков случај трепкаат сите ламбички од приказот за полнење сè додека батеријата не се излади. По гасење на приказот за полнење може да се продолжи со работа.

Транспорт на литиум-јонски батерии

Литиум-јонските батерии подлежат на законските одредби за транспорт на опасни материи.

Транспортот на овие батерии мора да се врши согласно локалните, националните и меѓународните прописи и одредби.

- Потрошувачите на овие батерии може да вршат непречен патен транспорт на истите.
- Комерцијалниот транспорт на литиум-јонски батерии од страна на шпедитерски претпријатија подлежат на одредбите за транспорт на опасни материи. Подготовките за шпедиција и транспорт треба да ги вршат исклучиво соодветно обучени лица. Целокупниот процес треба да биде стручно надгледуван.

При транспортот на батерии треба да се внимава на следното:

- Осигурајте се дека контактите се заштитени и изолирани, а сето тоа со цел да се избегнат кратки споеви.
- Внимавајте да не дојде до измествување на батериите во нивната амбалажа.
- Забранет е транспорт на оштетени или протечени литиум-јонски батерии.

За понатамошни инструкции обратете се до Вашето шпедитерско претпријатие.

РАБОТНИ УПАТСТВА

Не користете премногу сила при дупчење или ковање. Оставете ја ударната дупчалка да ја заврши работата за вас.

РАБОТА ВО СТУДЕНО

Ако машината е складирана на подолг временски период или на ниски температури, подмачкувањето може да се стврдне и машината може да не работи на почетокот или да има ниски перформанси. Ако тоа се случи:

1. Вметнете бургија или длето во машината.
2. Ставете ја машината на преостанато парче бетон.
3. Притискајте и ослободувајте го прекинувачот на неколку секунди.

По 15 секунди до 2 минути, машината ќе започне да разбива нормално. Колку е постудена машината, толку подолго треба да се загрее.

ЧИСТЕЊЕ

Вентилациските отвори на машината мора да бидат комплетно отворени постојано.

ОДРЖУВАЊЕ

Важна забелешка! Доколку карбонските четкички се истрошени, со цел истите да бидат заменети алатот треба да биде пратен во постпродажниот центар. Ова ќе обезбеди долг употребен век и највисоки перформанси.

Користете само Milwaukee додаточи и резервни делови. Доколку некои од компонентите кои не се опишани треба да бидат заменети, Ве молиме контактирајте ги сервисните агенти на Milwaukee (консултирајте ја листата на адреси).

При потреба може да се побара експлозионен цртеж на апаратот со наведување на машинскиот тип и шестцифрениот број на табличката со учинокот или во Вашата корисничка служба или директно кај Techtronic Industries GmbH, Max-Eyth-Straße 10, 71364 Winnenden, Германија.

СИМБОЛИ



Ве молиме пред да ја стартувате машината обрнете внимание на упатствата за употреба.



ВНИМАНИЕ! ПРЕДУПРЕДУВАЊЕ! ОПАСНОСТ!



Извадете го батерискиот склоп пред отпочнување на каков и да е зафат врз машината.



Секогаш при користење на машината носете ракавици.



Носете штитник за уши.



Не ја вдишувајте. Носете соодветна заштитна маска.



Носете ракавици!



Антивибрацискиот систем ги намалува вибрациите на машината на рачката.



Дополнителна опрема - Не е вклучена во стандардната, а достапна е како додаток.



Не отстранувајте ги отпадните батерии, отпадната електрична и електронска опрема како несортиран комунален отпад. Отпадните батерии и отпадната електрична и електронска опрема мора да се собираат посебно. Отпадните батерии, отпадните акумулатори и отпадните извори на светлина треба да се отстранат од опремата.

Проверете кај вашиот локален орган или продавач за совети за рециклирање и место за собирање.

Во зависност од локалните регулативи, трговците на мало може да се обврзани бесплатно да ги преземаат искористените батерии, како и отпадната електрична и електронска опрема. Вашиот придонес за повторна употреба и рециклирање на отпадните батерии и отпадната електрична и електронска опрема помага да се намали побарувачката на суровини.

Отпадните батерии, посебно оние што содржат литиум, и отпадната електрична и електронска опрема содржат вредни материјали за рециклирање, кои може негативно да влијаат на животната средина и на здравјето на луѓето доколку не се отстранат на еколошки компатибилен начин. Избришете ги личните податоци од отпадната опрема, доколку ги има.



Вртежи на празен од



Напон



Истосмерна струја



Европска ознака за сообразност



Ознака за сообразност на ОК



Украинска ознака за сообразност



Евроазиска ознака за сообразност

ТЕХНІЧНІ ХАРАКТЕРИСТИКИ	M18 BLHACD26
Тип конструкції	Акумуляторний перфоратор
Номер виробу	4919 77 01 XXXXXX MJJJ
Напруга змінної акумуляторної батареї	18 V \leftrightarrow
Енергія одного удару	2,6 J
Кількість обертів холостого ходу	0-1270 min ⁻¹
Кількість ударів під навантаженням	0-4600 min ⁻¹
Шийка затиску, \varnothing	43 mm
\varnothing свердління бетону	26 mm
\varnothing свердління сталі	13 mm
\varnothing свердління деревини	28 mm
Легка свердлильна коронка для цегли та силікатної цегли	65 mm
Вага згідно з процедурою ЕРТА 01/2014	2,8 kg ... 3,9 kg
Рекомендована температура довкілля під час роботи	-18...+50 °C
Рекомендовані типи акумуляторів	M18 B...; M18 HB...
Рекомендовані зарядні пристрої	M12-18...; M18 DFC; M1418 C6

Інформація про шум: Виміряні значення визначені згідно з EN 62841.

Рівень шуму „А“ приладу становить в типовому випадку:

Рівень звукового тиску / похибка К

93,5 dB(A) / 3 dB(A)

Рівень звукової потужності / похибка К

104,5 dB(A) / 3 dB(A)

Користуйтеся засобами захисту органів слуху.

Інформація щодо вібрації: Сумарні значення вібрації (векторна сума трьох напрямків), встановлені згідно з EN 62841.

Значення вібрації $a_{h,r}$ / похибка К

Ударне свердління в бетоні ($a_{h,hd}$)

13,9 m/s² / 1,5 m/s²

Довбання ($a_{h,cbeg}$)

13,2 m/s² / 1,5m/s²

▲ ПОПЕРЕДЖЕННЯ!

Заявлені значення шумового випромінювання, вказані в цьому інформаційному аркуші, було виміряно відповідно до стандартизованого випробування згідно з EN 62841 та можуть використовуватися для порівняння одного інструмента з іншим. Вони також можуть використовуватися для попередньої оцінки рівня впливу на організм.

Вказаний рівень вібрації відповідає основним сферам використання електроінструменту. Але якщо електроінструмент використовується для іншої мети, з іншими вставними інструментами або при недостатньому технічному обслуговуванні, рівень вібрації може бути іншим. Це може значно підвищити навантаження від вібрації за весь період роботи.

Для точної оцінки навантаження від вібрації необхідно також враховувати час, коли прилад вимкнений або увімкнений, але фактично не використовується. Це може значно зменшити навантаження від вібрації за весь період роботи.

Визначте додаткові заходи для захисту оператора від впливу вібрації та/або шуму, наприклад, обслуговування інструмента та його приладдя, зберігання рук у теплі, організація графіків роботи.

▲ УВАГА! Ознайомитись з усіма попередженнями з безпечного використання, інструкціями, ілюстративним матеріалом та технічними характеристиками, які надаються з цим електричним інструментом. Недотримання всіх наведених нижче інструкцій може призвести до ураження електричним струмом, пожежі та/або важких травм. **Зберігати всі попередження та інструкції для використання в майбутньому.**

ВКАЗІВКИ З ТЕХНІКИ БЕЗПЕКИ ДЛЯ ПЕРФОРАТОРІВ

Інструкції з техніки безпеки для всіх операцій

Користуйтеся засобами захисту органів слуху. Вплив шуму може спричинити втрату слуху.

Користуйтеся додатковими рукоятками, що поставляються разом з пристроєм, якщо вони входять в комплект поставки. Втрата контролю може призвести до пошкоджень.

Під час виконання робіт тримайте прилад за ізольовані поверхні рукояток, якщо вставний інструмент може натрапити на приховані електричні лінії.

Контакт з лінією під напругою може призвести до появи напруги в металевих частинах приладу та до ураження електричним струмом.

Вказівки з техніки безпеки під час використання перфоратора з довгими свердлами

Завжди починайте роботу на низькій швидкості і коли свердло контактує з оброблюваним виробом. На більш високих швидкостях свердло може зігнути, якщо обертатиметься без контакту з оброблюваним виробом, що може призвести до пошкодження.

Завжди застосовуйте тиск виключно вздовж осі свердла і не натискайте надто сильно. Свердла можуть згинатися і ламатися або призводити до втрати контролю над пристроєм, що в свою чергу також може призвести до пошкоджень.

ДОДАТКОВІ ІНСТРУКЦІЇ З ТЕХНІКИ БЕЗПЕКИ ТА ЕКСПЛУАТАЦІЇ

Носіть індивідуальні засоби захисту. Завжди носіть захисні окуляри. Носіння відповідних засобів захисту, як-от пілзозахисні маски, нековзні взуття, каски чи засоби захисту органів слуху, знижує ризик отримання травм.

Пил, що утворюється під час роботи, часто буває шкідливим для здоров'я; він не повинен потрапляти в організм. Носити відповідну маску для захисту від пилу.

Не можна обробляти матеріали, небезпечні для здоров'я (наприклад, азбест).

При блокуванні вставного інструменту негайно вимкнути прилад!

Не вмикайте прилад, якщо вставний інструмент заблокований; при цьому може виникати віддача з високим зворотнім моментом. Визначити та усунути причину блокування вставного інструменту з урахуванням вказівок з техніки безпеки.

Можливі причини:

- Перекіс в заготовці, що обробляється
- Пробивання оброблюваного матеріалу
- Перевантаження електроінструмента

Частини тіла не повинні потрапляти в машину, коли вона працює.

Робочий інструмент має гострі країки й може нагріватися під час застосування.

ПОПЕРЕДЖЕННЯ! Небезпека порізів та опіків - під час маніпуляцій із робочими інструментами - під час покладення інструмента.

Під час маніпуляцій із робочими інструментами надягайте рукавички.

Не можна видаляти стружку або уламки, коли машина працює.

Під час роботи на стінах, стелях або підлозі звертати увагу на електричні кабелі, газові та водопровідні лінії.

Зафіксувати заготовку в затисковому пристрої. Незакріплені заготовки можуть привести до тяжких травм та пошкоджень.

Перед будь-якими роботами на машині виїняти змінну акумуляторну батарею

Відпрацьовані знімі акумуляторні батареї не можна кидати у вогонь або викидати з побутовими відходами. Milwaukee пропонує утилізацію старих знімних акумуляторних батарей, безпечну для довкілля; зверніться до свого дилера.

Не зберігати знімі акумуляторні батареї разом з металевими предметами (небезпека короткого замикання).

Знімі акумуляторні батареї системи M18 заряджати лише зарядними пристроями системи M18. Не заряджати акумуляторні батареї інших систем.

Не відкривати знімі акумуляторні батареї і зарядні пристрої та зберігати їх лише в сухих приміщеннях. Берігти від вологи.

При екстремальному навантаженні або при екстремальній температурі з пошкодженою змінної акумуляторної батареї може витікати електроліт. При потрапленні електроліту на шкіру його негайно необхідно змити водою з милом. При потрапленні в очі їх необхідно негайно ретельно промити, щонайменше 10 хвилин, та негайно звернутися до лікаря.

Попередження! Для запобігання небезпеці пожежі в результаті короткого замикання, травмам і пошкодженню виробів не занурюйте інструмент, змінний акумулятор або зарядний пристрій у рідину і не допускайте потраплення рідини всередину пристроїв або акумуляторів. Корозійні і струмопровідні рідини, такі як солоний розчин, певні хімікати, вибілювальні засоби або продукти, що їх містять, можуть призвести до короткого замикання.

ВИКОРИСТАННЯ ЗА ПРИЗНАЧЕННЯМ

Акумуляторний перфоратор можна використовувати універсально для ударного свердління каменю та для свердління деревини, металів та полімерних матеріалів незалежно від мережевого живлення.

Цей прилад можна використовувати тільки за призначенням так, як вказано в цьому документі.

ЗАЛИШКОВІ РИЗИКИ

Навіть при належному використанні не можна виключити всі залишкові ризики. При використанні можуть виникнути такі небезпеки, на які користувач повинен звернути особливу увагу:

- Травми внаслідок вібрації.
- Тримайте прилад за передбачені для цього руків'я і обмежуйте час роботи та експозиції.
- Шумовий вплив може погіршити слух.
- Носіть захисні рукавички і обмежуйте тривалість експозиції.
- Травми очей, вилучені частинками забруднень.

Завжди надягайте захисні окуляри, щільні довгі штани й міцне взуття.

- Вдихання отруйного пилу.

ВКАЗІВКИ ЩОДО ЛІТІЙ-ІОННИХ АКУМУЛЯТОРІВ

Застосування літій-іонних акумуляторів

Акумуляторну батарею, що не використовувалася тривалий час, перед використанням необхідно підзарядити.

Температура понад 50 °C зменшує потужність акумуляторної батареї. Уникати тривалого нагрівання сонячними променями або системою обігріву.

З'єднувальні контакти зарядного пристрою та акумуляторної батареї повинні бути чистими.

Для забезпечення оптимального строку експлуатації акумуляторні батареї після використання необхідно повністю зарядити.

Для забезпечення максимально можливого терміну експлуатації акумуляторні батареї після зарядки необхідно виймати з зарядного пристрою.

При зберіганні акумуляторної батареї понад 30 днів: Зберігати акумуляторну батарею при температурі приблизно 27 °C в сухому місці. Зберігати акумуляторну батарею в стані зарядки приблизно 30-50 %.

Кожні 6 місяців знову заряджати акумуляторну батарею.

Захист від перевантаження літій-іонних акумуляторів

У випадку перевантаження акумуляторної батареї внаслідок дуже високого споживання струму, наприклад, надмірно високого крутильного моменту, заглинювання свердла, раптової зупинки або короткого замикання, електроінструмент вібрає 5 секунд, індикатор заряду блимає, електроінструмент самостійно вимикається.

Для повторного увімкнення відпустити кнопку вимикача і знов увімкнути.

При надмірних навантаженнях акумуляторна батарея сильно перегрівается. В цьому випадку всі лампочки індикатора заряду блимають, доки акумуляторна батарея не охолоне. Можна продовжити роботу після того, як індикатор заряду згасне.

Транспортування літій-іонних акумуляторів

Літій-іонні акумуляторні батареї підпадають під заборону про перевезення небезпечних вантажів.

Транспортування таких акумуляторних батарей повинно відбуватися із дотриманням місцевих, національних та міжнародних приписів та положень.

- Споживачі можуть без проблем транспортувати ці акумуляторні батареї по вулиці.
- Комерційне транспортування літій-іонних акумуляторних батарей експедиторськими компаніями підпадає під положення про транспортування небезпечних вантажів. Підготовку до відправлення та транспортування можуть здійснювати виключно особи, які пройшли відповідне навчання. Весь процес повинні контролювати кваліфіковані фахівці.

При транспортуванні акумуляторних батарей необхідно дотримуватись зазначених далі пунктів:

- Переконайтеся в тому, що контакти захищені та ізольовані, щоб запобігти короткому замиканню.
- Слідкуйте за тим, щоб акумуляторна батарея не перемищувалася всередині упаковки.
- Пошкоджені акумуляторні батареї, або акумуляторні батареї, що потекли, не можна транспортувати.

Для отримання подальших вказівок звертайтеся до своєї експедиторської компанії.

ВКАЗІВКИ ЩОДО ЕКСПЛУАТАЦІЇ

Не застосовуйте занадто багато сили під час свердління та відбивання молотком. Нехай перфратор виконає роботу за вас.

РОБОТА В ХОЛОДНИХ УМОВАХ

Якщо машина зберігається протягом тривалого часу чи за низької температури, її змащення може стати в'язким, і машина спочатку не зможе працювати, або її продуктивність буде занадто низькою. Якщо це трапиться:

1. вставити свердло чи зубило в машину;
2. установити машину на уламок бетону;
3. затиснути важіль перемикача впродовж кількох секунд і відпустити.

Через 15 секунд і до 2 хвилин після машина починає нормально працювати. Що холодніше машина, то довше їй потрібно прогрітись.

ЧИЩЕННЯ

Завжди підтримувати чистоту вентиляційних отворів.

ОБСЛУГОВУВАННЯ

При зношенні вугільних щіток додатково до заміни щіток необхідно виконати сервісне обслуговування в сервісному центрі. Це підвищує термін експлуатації машини та гарантує постійну готовність до експлуатації.

Використовувати тільки комплектуючі та запчастини Milwaukee. Деталі, заміна яких не описується, замінювати тільки в відділі обслуговування клієнтів Milwaukee (зверніть увагу на брошуру „Гарантія / адреси сервісних центрів“).

У разі необхідності можна запросити креслення з зображенням вузлів машини в перспективному вигляді, для цього потрібно звернутися в ваш відділ обслуговування клієнтів або безпосередньо в Techtronic Industries GmbH, Max-Eyth-Straße 10, 71364 Winnenden, Німеччина, та вказати тип машини та шестизначний номер на фірмовій табличці з даними машини.

СИМВОЛИ

	Уважно прочитайте інструкцію з експлуатації перед введенням приладу в дію.
	УВАГА! ПОПЕРЕДЖЕННЯ! НЕБЕЗПЕЧНО!
	Перед будь-якими роботами на машині вийняти змінну акумуляторну батарею
	Під час роботи з машиною завжди носити захисні окуляри.
	Використовувати засоби захисту органів слуху!
	Носити відповідну маску для захисту від пилу.
	Носити захисні рукавиці!
	Антивібраційна система зменшує вібрацію машини на ручці.

	Комплектуючі - не входять в обсяг постачання, рекомендовані доповнення з програми комплектуючих.
	Не утилізуйте відпрацьовані батарейки й відпрацьоване електричне та електронне обладнання разом з змішаними побутовими відходами. Відпрацьовані батарейки, відпрацьоване електричне та електронне обладнання необхідно збирати окремо. Відпрацьовані батарейки, відпрацьовані акумулятори, відпрацьовані джерела світла повинні бути вилучені з обладнання. Зверніться до місцевих органів влади або роздрібною продавця за порадою щодо утилізації та пункту збору. Відповідно до місцевих постанов, роздрібні продавці можуть бути зобов'язані безкоштовно забирати назад відпрацьовані акумулятори, електричне та електронне обладнання. Ваш внесок до повторного вживання та переробки відпрацьованих батарейок і відпрацьованого електричного та електронного обладнання допомагає зменшити попит на сировину. Відпрацьовані батарейки, зокрема, що містять літій, і відпрацьоване електричне та електронне обладнання містять цінні матеріали, які можуть бути перероблені, та мають негативний вплив на довкілля й здоров'я людей, якщо не будуть утилізовані у безпечний для довкілля спосіб. Видаліть особисті дані з відпрацьованого обладнання, якщо такі є.
	Кількість обертів холостого ходу
	Напруга
	Постійний струм
	Європейський знак відповідності
	Британський знак відповідності
	Український знак відповідності
	Євразійський знак відповідності

	الملحق - ليس مدرجًا كمعدة قياسية، متوفر كملحق.
	يحظر التخلص من البطاريات القديمة والأجهزة الكهربائية والإلكترونية القديمة سويًا مع القمامة المنزلية. يجب جمع البطاريات القديمة والأجهزة الكهربائية والإلكترونية القديمة والتخلص منها بشكل منفصل. أزرع البطاريات القديمة والمراكم القديمة والمصابيح من الأجهزة قبل التخلص منها. الرجاء الاستفسار لدى الجهات الرسمية في المكان أو لدى التجار المتخصصين عن مواقع إعادة الاستغلال ومواقع الجمع. وفقًا للوائح المحلية، قد يُطلب من تجار التجزئة استعادة البطاريات القديمة والأجهزة الكهربائية والإلكترونية القديمة مجانًا. ساهم في الحد من الحاجة إلى المواد الخام عن طريق إعادة استخدام البطاريات القديمة والأجهزة الكهربائية والإلكترونية القديمة بك وإعادة تدويرها. تحتوي البطاريات القديمة (وعلى الأخص بطاريات أيون الليثيوم) والأجهزة الكهربائية والإلكترونية القديمة على مواد قيمة وقابلة لإعادة التدوير يمكن أن يكون لها آثار سلبية على البيئة وصحتك في حالة عدم التخلص منها على نحو يتماشى مع البيئة. قبل التخلص قم بمحو البيانات الشخصية التي قد تكون على جهازك القديم.
	سرعة الدوران
	الجهد الكهربائي
	التيار المستمر
	علامة التوافق الأوروبية
	علامة الملائمة البريطانية
	علامة التوافق الأوكرانية
	علامة التوافق الأوروبية الآسيوية

EC DECLARATION OF CONFORMITY

We declare as the manufacturer under our sole responsibility that the product described under "Technical Data" fulfills all the relevant regulations and directives listed below and that the following harmonized standards have been used.

EG-KONFORMITÄTSEKTLÄRUNG

Wir erklären als Hersteller in alleiniger Verantwortung, dass das unter „Technische Daten“ beschriebene Produkt alle nachstehend aufgeführten relevanten Verordnungen und Richtlinien erfüllt und dass die folgenden harmonisierten Normen angewandt wurden.

DÉCLARATION CE DE CONFORMITÉ

Nous déclarons en tant que fabricant et sous notre seule responsabilité, que le produit décrit dans « Données techniques » est conforme à toutes les réglementations et directives pertinentes mentionnées ci-après et que les normes harmonisées suivantes ont été appliquées.

DICHIARAZIONE CE DI CONFORMITÀ

In qualità di produttore dichiariamo sotto la nostra esclusiva responsabilità che il prodotto descritto nei "Dati tecnici" è conforme a tutti i regolamenti e tutte le direttive pertinenti elencati qui di seguito e che sono state usate le seguenti norme armonizzate.

DECLARACIÓN CE DE CONFORMIDAD

Declaramos como fabricante y bajo nuestra responsabilidad que el producto descrito bajo "Datos técnicos" está en conformidad con todos los reglamentos y directivas detallados a continuación y que se han utilizado las siguientes normas armonizadas.

DECLARAÇÃO CE DE CONFORMIDADE

Como fabricante, declaramos sob responsabilidade exclusiva, que o produto descrito sob "Dados Técnicos" corresponde com todos os regulamentos relevantes e diretivas abaixo que as seguintes normas harmonizadas foram utilizadas.

EG-VERKLARING VAN OVEREENSTEMMING

Wij als fabrikant verklaren in uitsluitende verantwoording dat het onder "Technische gegevens" beschreven product aan alle onderstaand vermelde relevante verordeningen en richtlijnen voldoet en dat de volgende geharmoniseerde normen werden toegepast.

EF-OVERENSSTEMMELSESERKLÆRING

Vi erklærer som produsent og eneansvarlig, at produktet, der er beskrevet under "Tekniske data", opfylder kravene i alle relevante forordninger og direktiver som nævnt nedenfor og at nedenstående harmoniserede standarder er blevet anvendt.

EU-SAMSVARERKLÆRING

Som produsent erklærer vi under eget ansvar at produktet som beskrives under «Teknisk data» opfylder alle relevante forordninger og direktiver som står oppført nedenfor og at de følgende harmoniserede standarder har blitt brukt.

EG-FÓRSÁKRAN ÖVERENSSTÄMMELSE

Vi som tillverkare förklarar under eget ansvar, att den produkt som beskrivs under "Tekniska data" överensstämmer med alla de nedan angivna relevanta förordningarna och direktiven och att de följande harmoniserade normen har tillämpats.

EY-VAATIMUSTENMUKAISUUSVAKUUTUS

Vakuutamme valmistajan ominaisuudessa yksinvastuullisesti, että kohdassa "Tekniset tiedot" kuvattu tuote täyttää kaikki seuraavassa luettelut sitä koskevat asetukset ja direktiivit ja että seuraavia harmonisoituja standardeja on sovellettu.

ΑΝΩΣΗ ΣΥΜΜΟΡΦΩΣΗΣ ΕΚ

Ως κατασκευαστής δηλώνουμε υπεύθυνα ότι το προϊόν που περιγράφεται στο κεφάλαιο «Τεχνικά Χαρακτηριστικά», πληροί όλους τους κανονισμούς κι όλες τις οδηγίες που αναφέρονται σχετικά παρακάτω, και για το οποίο έχουν εφαρμοστεί τα ακόλουθα εναρμονισμένα πρότυπα.

AT UYGUNLUK BEYANI

Üretici sıfatıyla tek sorumluluğ olarak "Teknik Veriler" bölümünde tarif edilen ürünün aşağıda sıralanan bütün ilgili yönetmelik ve direktiflere uygun olduğunu ve aşağıdaki uyumlaştırılmış standartların kullanıldığını beyan etmekteyiz.

ES PROHLÁŠENÍ O SHODĚ

My jako výrobce prohlašujeme na svou vlastní odpovědnost, že produkt popsaný v části „Technické údaje“ splňuje všechna příslušná nařízení a směrnice uvedené níže a že byly použity následující harmonizované normy.

ES VYHLÁŠENIE O ZHODE

Wir ako výrobca vyhlasujeme na vlastnú zodpovednosť, že produkt popísaný v časti „Technické údaje“ spĺňa všetky príslušné nariadenia a smernice uvedené nižšie a že boli použité nasledujúce harmonizované normy.

DEKLARACJA ZGODNOŚCI WE

Jako producent oświadczamy na naszą wyłączną odpowiedzialność, że produkt opisany w punkcie „Dane techniczne” odpowiada wszystkim poniższym istotnym rozporządzeniom oraz dyrektywom, a także iż zastosowano poniższe zharmonizowane normy:

EK-MEGFELELŐSÉGI NYILATKOZAT

Gyártóként egyedüli felelősséggel kijelentjük, hogy a „Műszaki Adatok” alatt leírt termék megfelel a következőkben felsorolt minden releváns rendeletnek és irányelvnek, és hogy a következők harmonizált szabványok kerültek használatra.

ES-IZJAVA O SKLADNOSTI

Mi kao proizvođač izjavljujemo na osobnu odgovornost, da je proizvod, opisan pod "Tehnički podaci", sukladan sa svim relevantnim propisima i u nastavku navedenim smjernicama i harmoniziranim normativima dokumenata.

IZJAVA O SUKLADNOSTI

Mi kao proizvođač izjavljujemo na osobnu odgovornost, da proizvod opisan pod "Tehnički podaci", ispunjava sve u nastavku navedene relevantne odredbe i smjernice i da su sljedeće harmonizirane norme bile primjenjene.

EK ATBILSTĪBAS DEKLARĀCIJA

Mēs kā ražotājs vienīgā atbildīgā persona apliecinām, ka "Tehniskajos datos" raksturotais produkts atbilst visiem attiecīgajiem noteikumiem un vadlīnijām, kas uzskaitītas turpmāk, un ka ir izmantoti šādi saskaņotie standarti.

EB ATITIKTIES DEKLARACIJA

Gamintojo vardu atsakingai pareiškiame, kad gaminys, aprašytas skyriuje „Techniniai duomenys“, atitinka visus toliau išvardytų susijusių reglamentų, direktyvų ir darnųjų standartų taikomus reikalavimus.

EÜ VASTAVUSDEKLARATSIOON

Kinnitame tootjana ainuiskuliselt vastutades, et jaotises „Tehnilised andmed“ kirjeldatud toode on kooskõlas alpool nimetatud direktiivide asjaomaste eeskirjade ja ühtlustatud normdokumentidega ning et on kasutatud järgmisi ühtlustatud standardeid.

ДЕКЛАРАЦИЯ СООТВЕТСТВИЯ ЕС

Мы как производитель под собственную ответственность заявляем о том, что описанное в разделе «Технические характеристики» изделие отвечает всем нижеперечисленным соответствующим предписаниям и директивам и что в отношении него применяются следующие гармонизированные стандарты.

ДЕКЛАРАЦИЯ ЗА СЪОТВЕТСТВИЕ НА ЕО

В качеството си на производител декларираме на собствена отговорност, че продуктът, описан в „Технически данни“, отговаря на всички изброени по-нататък приложими регламенти и директиви и че са използвани посочените хармонизирани стандарти.

DECLARAȚIE DE CONFORMITATE CE

În calitate de producător declarăm pe propria răspundere că produsul descris la "Date tehnice" este în concordanță cu toate regulamentele și directivele relevante de mai jos și că au fost utilizate următoarele norme armonizate.

EK-DEKLARACIJA ZA SOOBRAZNOST

Kako proizvođač, izjavjujemo pod celopna odgovornost дека производот опишан во „Технички податоци“ подолу е во согласност со сите релевантни одредби и регулативи наведени подолу и дека се користени следниве усогласени стандарди.

ДЕКЛАРАЦІЯ ЄС ПРО ВІДПОВІДНІСТЬ

Як виробник, ми заявляємо на власну відповідальність, що виріб, описаний у розділі "Технічних даних", відповідає всім застосованим положенням директив і приписам перерахованим нижче, і що щодо нього були використані наступні гармонізовані стандарти.

إقرار المطابقة وفقاً للمواصفات الأوروبية بموجب هذا نقر نحن كشركة منتجة وعلى مسؤوليتنا المنفردة، أن المنتج الموصوف تحت "البيانات الفنية" يطابق جميع الأوامر والتوجيهات الهامة المذكورة فيما يلي وقد جرى فيها استخدام معايير التوافق التالية:

2011/65/EU (RoHS)
2014/30/EU
2006/42/EC

EN 62841-1:2015+AC:2015+A11:2022
EN 62841-2-6:2020+A11:2020
EN IEC 55014-1:2021
EN IEC 55014-2:2021
EN IEC 63000:2018

Winnenden, 2022-11-08

Alexander Krug
Managing Director



Authorized to compile the technical file

Bevollmächtigt die technischen Unterlagen zusammenzustellen.

Autorisé à compiler la documentation technique.

Autorizzato alla preparazione della documentazione tecnica

Autorizado para la redacción de los documentos técnicos.

Autorizado a reunir a documentação técnica.

Gemachtigd voor samenstelling van de technische documenten

Autoriseret til at udarbejde de tekniske dokumenter.

Autoriseret til å utarbeide den tekniske dokumentasjonen

Befullmäktigad att sammanställa teknisk dokumentation.

Valtuutettu kokoamaan tekniset dokumentit.

Εξουσιοδοτημένος να συντάξει τον τεχνικό φάκελο.

Teknik evrakları hazırlamakla görevlendirilmiştir.

Zplnomocněn k sestavování technických podkladů.

Splnomocnený zostaviť technické podklady.

Upelnomocniony do zestawienia danych technicznych

Műszaki dokumentáció összeállításra felhatalmazva

Pooblaščen za izdelavo spisov tehnične dokumentacije.

Ovlašten za formiranje tehničke dokumentacije.

Pilnvarotais tehnikās dokumentācijas sastādīšanā.

Igalīotas parengti techninius dokumentus.

On volitatud koostama tehnilist dokumentatsiooni.

Uполномочен на составление технической документации.

Упълномощен за съставяне на техническата документация

İmputernicit să elaboreze documentația tehnică.

Opolnomošten za sastavuañe na tehnička dokumentacija.

Уповноважений із складання технічної документації.

معمدة للمطابقة مع الملف الفني

GB-DECLARATION OF CONFORMITY

We declare as the manufacturer under our sole responsibility that the product described under "Technical Data" fulfills all the listed below relevant regulations and that the following designated standards have been used.

S.I. 2008/1597 (as amended)
S.I. 2016/1091 (as amended)
S.I. 2012/3032 (as amended)

BS EN 62841-1:2015+AC:2015+A11:2022
BS EN 62841-2-6:2020+A11:2020
BS EN IEC 55014-1:2021
BS EN IEC 55014-2:2021
BS EN IEC 63000:2018

Winnenden, 2022-11-08

Alexander Krug
Managing Director

Authorized to compile the technical file:

Techtronic Industries (UK) Ltd
Parkway
Marlow SL7 1YL
UK

Techtronic Industries GmbH
Max-Eyth-Straße 10
71364 Winnenden
Germany

Copyright 2022
Techtronic Industries GmbH
Max-Eyth-Str. 10
71364 Winnenden
Germany
+49 (0) 7195-12-0
www.milwaukeeetool.eu

Techtronic Industries (UK) Ltd
Parkway
Marlow SL7 1YL
UK

(11.22)

4931 4707 46